

[54] GRAIN CONVEYING AUGER

[76] Inventor: Elmer K. Hansen, 801 S. Martha, Sioux City, Iowa 51102

[\*\*] Term: 14 Years

[21] Appl. No.: 944,596

[22] Filed: Sep. 18, 1978

[51] Int. Cl. .... D12-05; D15-03

[52] U.S. Cl. .... D12/58; D15/10

[58] Field of Search ..... D12/58; D15/10; 198/548, 558, 625, 657, 860

[56] References Cited

U.S. PATENT DOCUMENTS

3,189,168 6/1965 Coats et al. .... 198/657

OTHER PUBLICATIONS

Long Manufacturing Co. Catalog, p. 13, Heavy Duty Auger.

Primary Examiner—James M. Gandy  
Attorney, Agent, or Firm—Rudolph L. Lowell; G. Brian Pingel

[57] CLAIM

The ornamental design for a grain conveying auger, substantially as shown.

DESCRIPTION

FIG. 1 is a side perspective view of a grain conveying auger showing my new design.

FIG. 2 is a rear perspective view thereof on an enlarged scale.

FIG. 3 is a front perspective view thereof on a reduced scale.

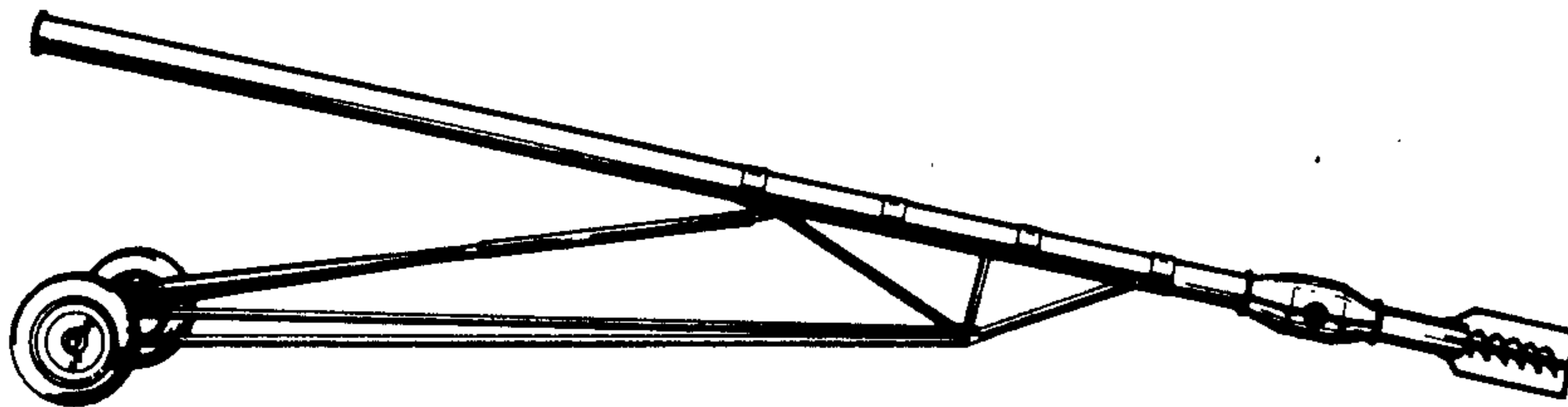


FIG. 1

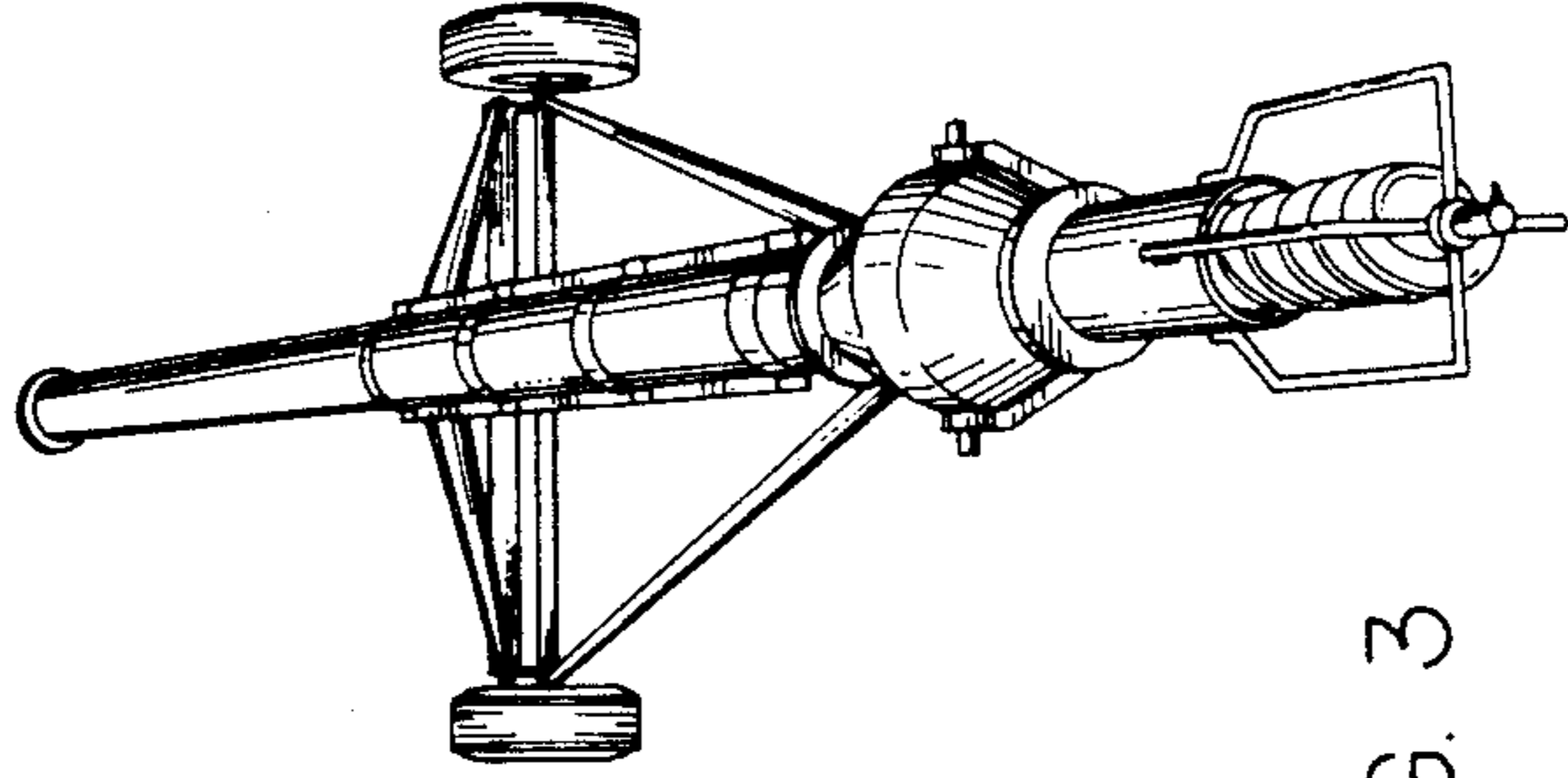
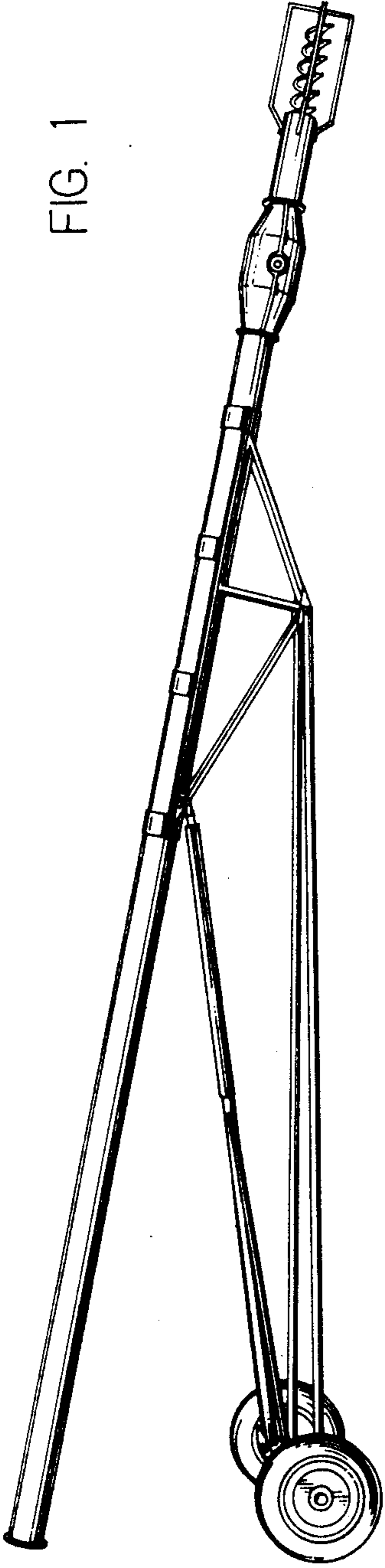


FIG. 3

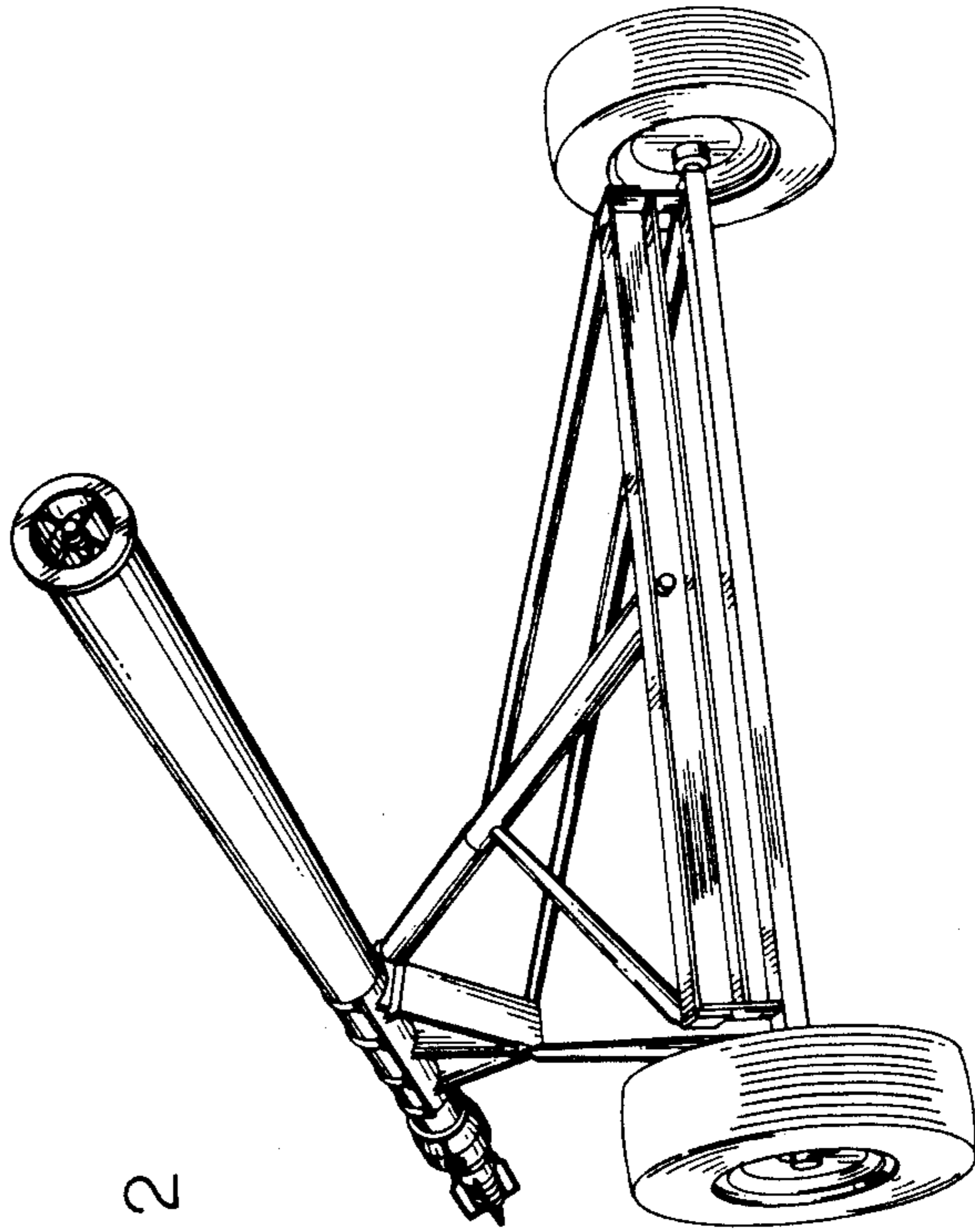


FIG. 2