

[54] HOOK
 [75] Inventor: Ruediger Einhorn, Katonah, N.Y.
 [73] Assignee: Coats & Clark, Inc., Stamford, Conn.
 [**] Term: 14 Years
 [21] Appl. No.: 57,025
 [22] Filed: Jul. 12, 1979

D. 249,327 9/1978 Gaines D8/367
 3,977,643 8/1976 Staley D8/367 X
 3,995,822 12/1976 Einhorn et al. 248/339 X
 4,099,694 7/1978 Horwitz 248/290 X

Primary Examiner—A. Hugo Word
 Attorney, Agent, or Firm—Burgess, Ryan and Wayne

[57] CLAIM

The ornamental design for a hook, substantially as shown and described.

Related U.S. Application Data

[62] Division of Ser. No. 895,002, Apr. 10, 1978.
 [51] Int. Cl. D8-08
 [52] U.S. Cl. D8/367
 [58] Field of Search 248/226.5, 227, 228,
 248/229, 290, 304, 305, 306, 339; D8/354, 355,
 356, 360, 363, 366, 367, 368, 371

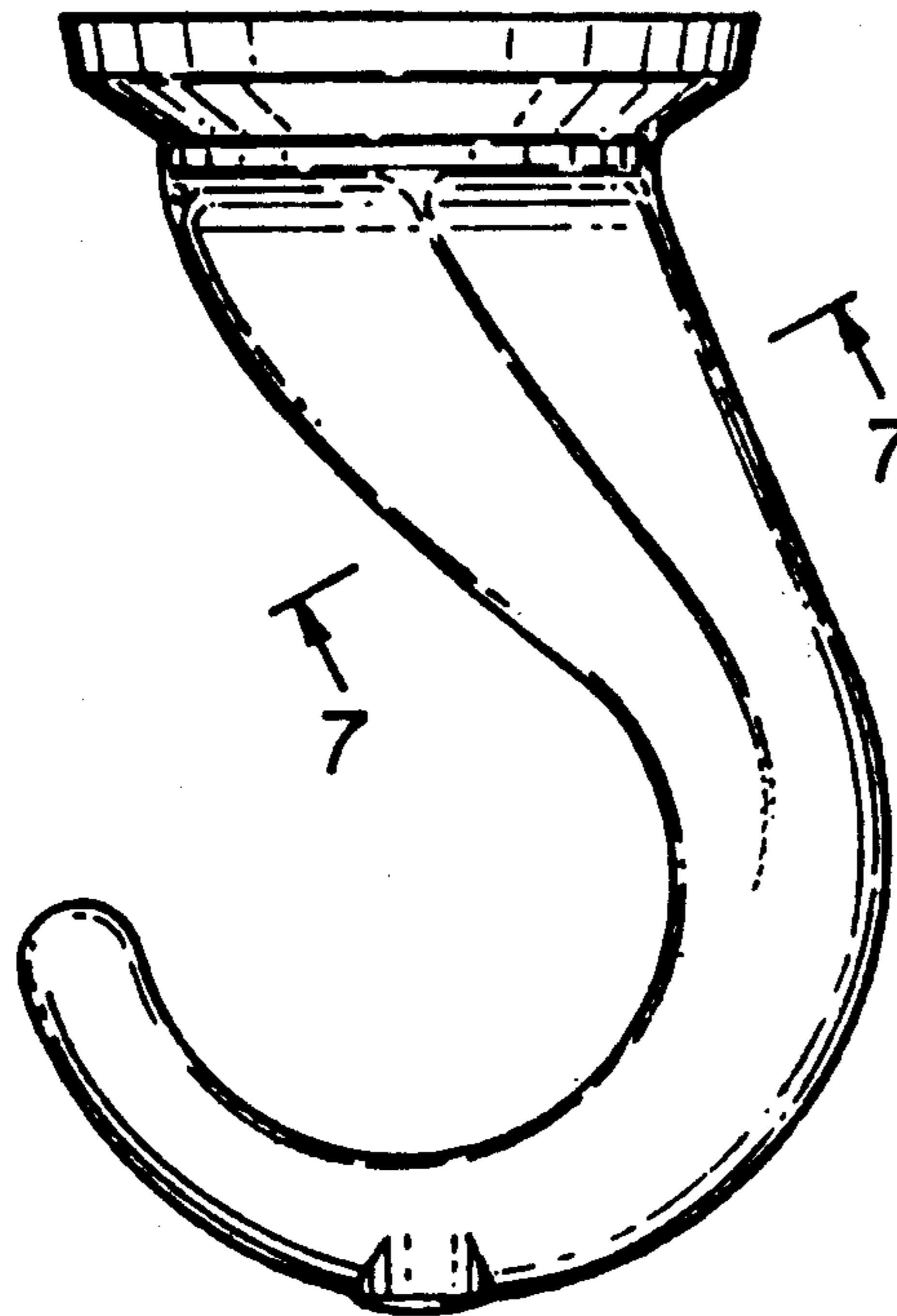
References Cited

U.S. PATENT DOCUMENTS

D. 225,966 1/1973 Tegner D8/372 X

DESCRIPTION

FIG. 1 is a perspective view of a ceiling hook according to my new design;
 FIG. 2 is a right side elevation view thereof, the left side elevation view being a mirror image of said right side view;
 FIG. 3 is a front elevation view thereof;
 FIG. 4 is a rear elevation view thereof;
 FIG. 5 is a top plan view thereof;
 FIG. 6 is a bottom plan view thereof; and
 FIG. 7 is a sectional view taken along the cutting plane 7-7 of FIG. 2.



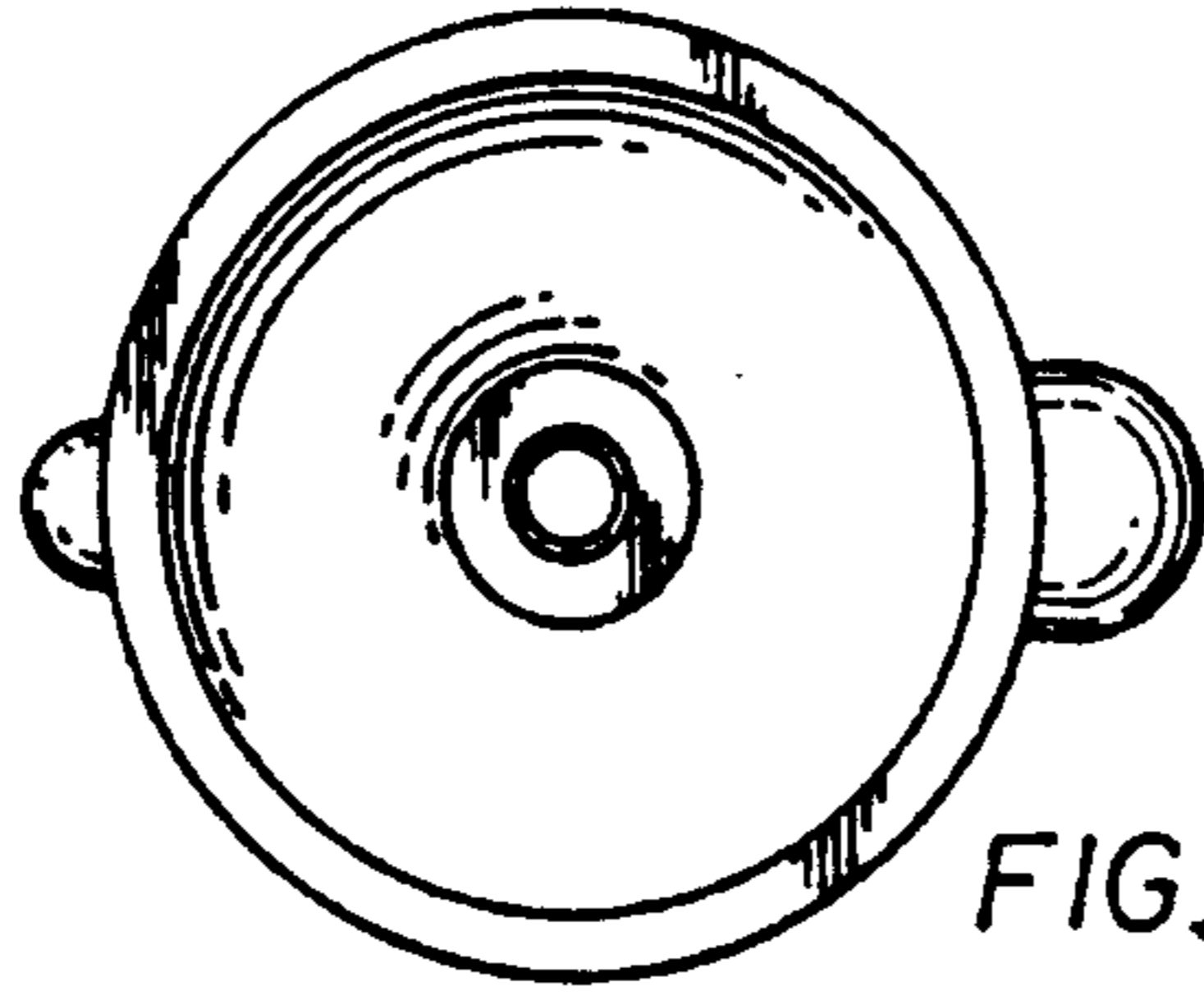


FIG. 5

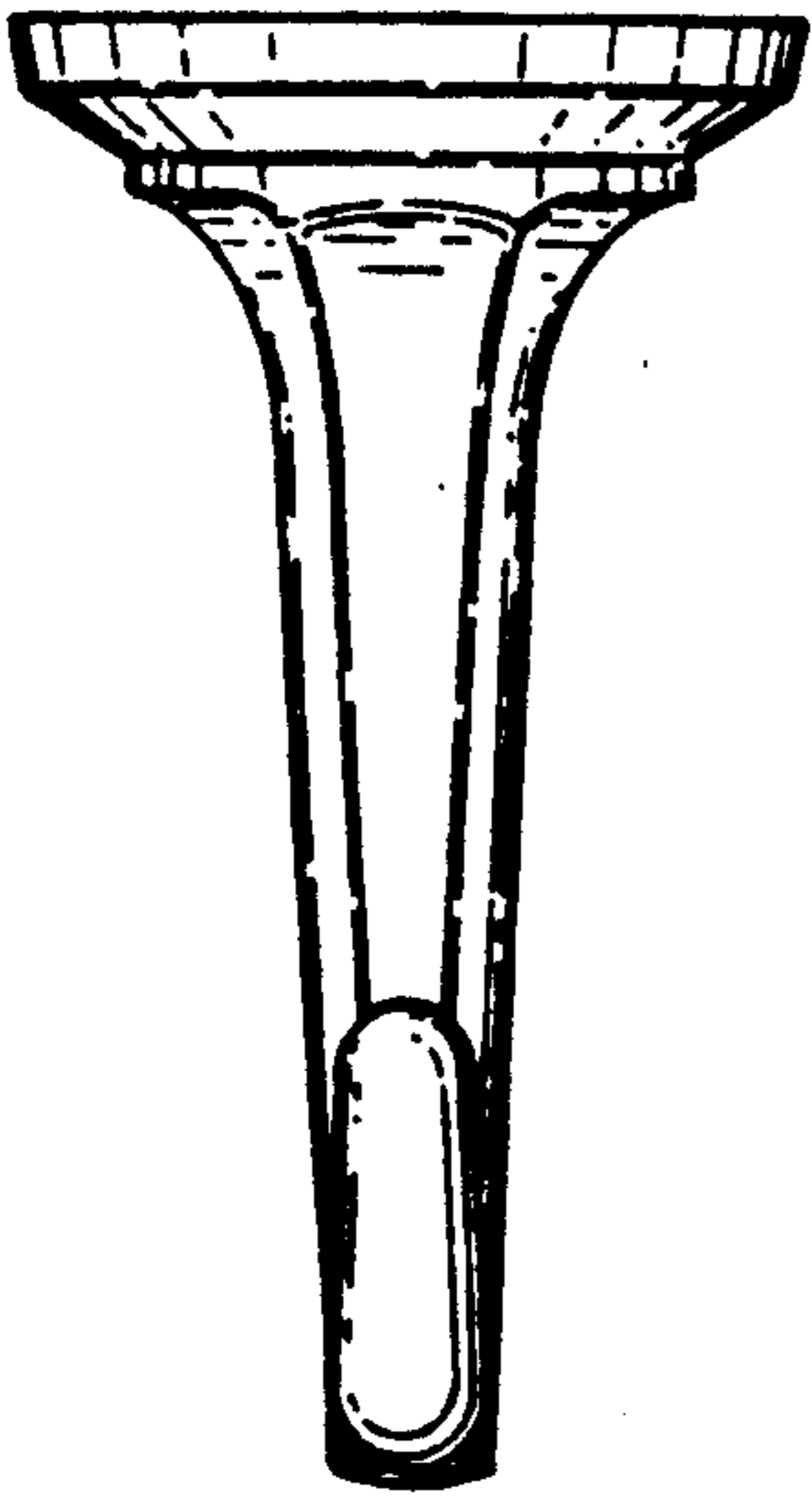


FIG. 3



FIG. 2



FIG. 4

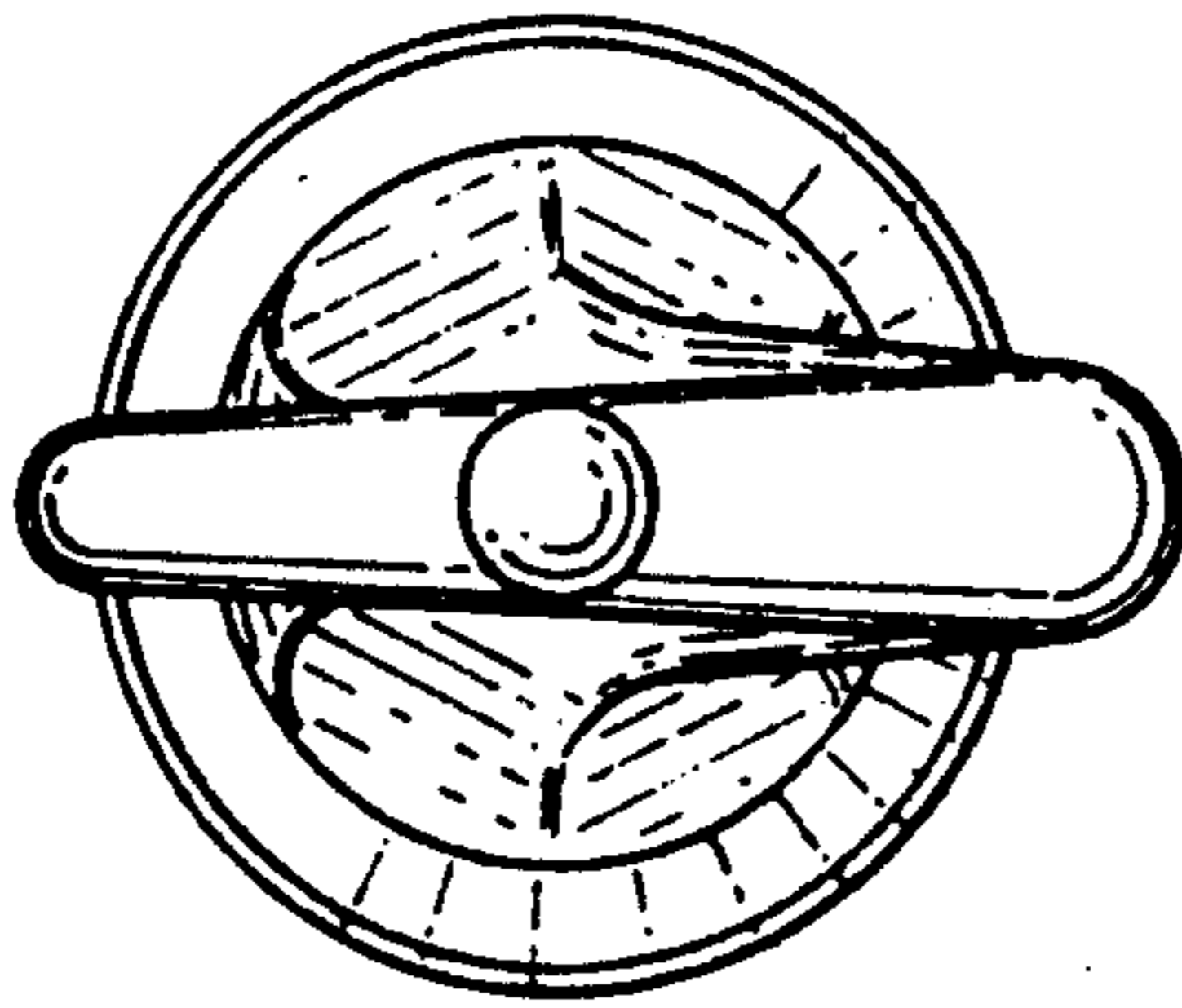


FIG. 6

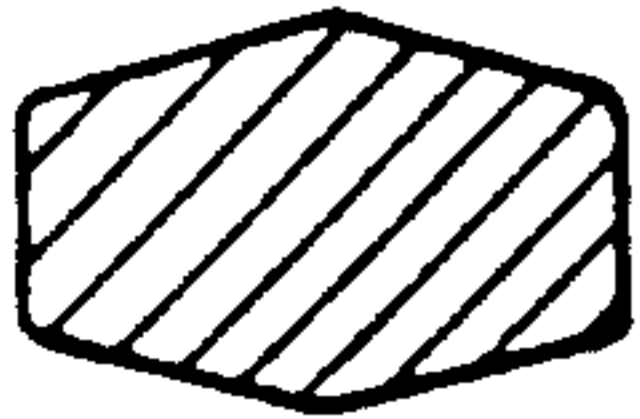


FIG. 7

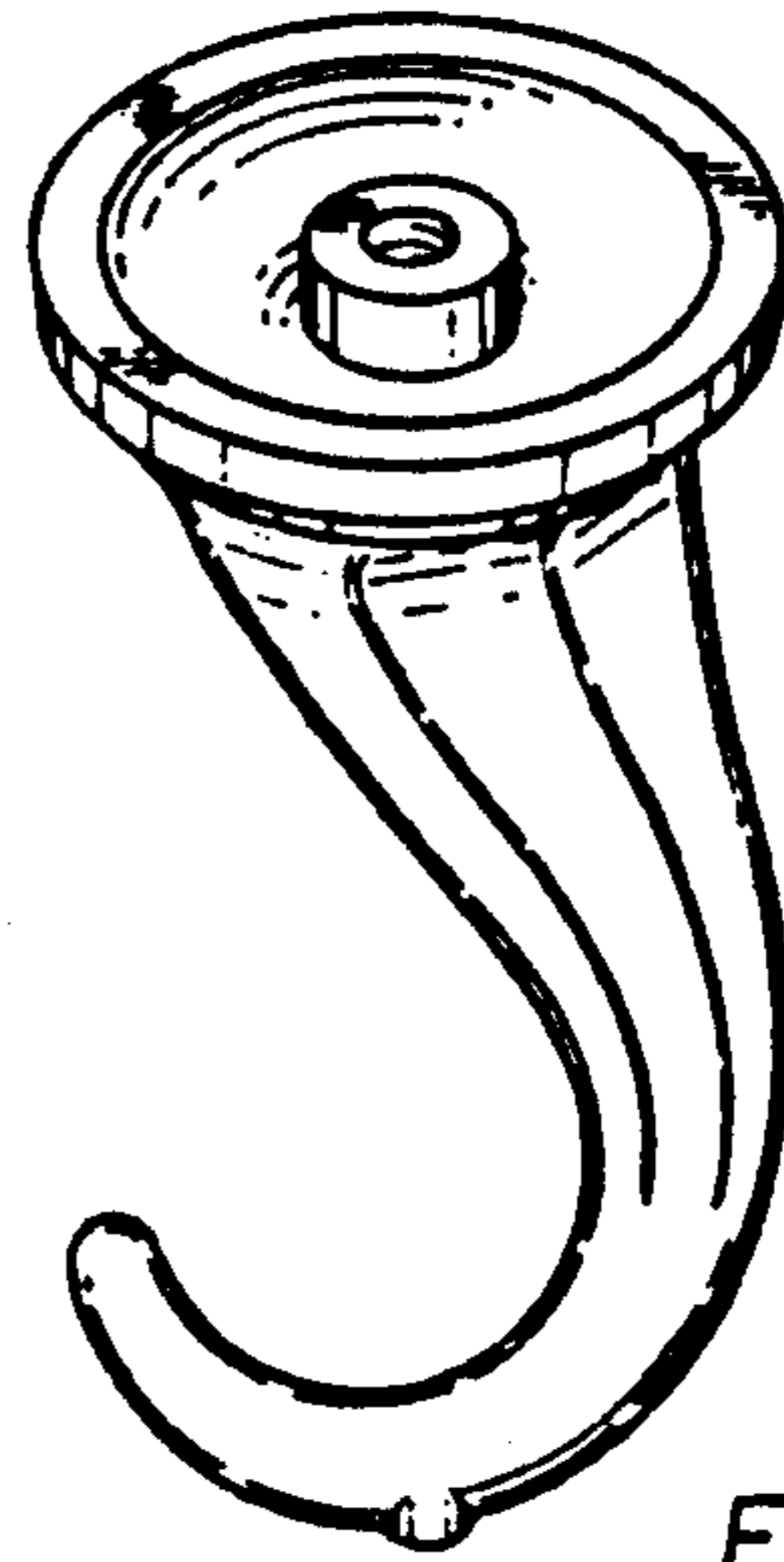


FIG. 1