

[54] **KITCHEN CUTTER HOLDER**

[75] Inventor: **Peter O. Davies**, Auckland, New Zealand
 [73] Assignee: **Tullen Industries Limited**, Auckland, New Zealand
 [**] Term: **14 Years**
 [21] Appl. No.: **793,477**
 [22] Filed: **May 4, 1977**

[30] **Foreign Application Priority Data**
 Nov. 5, 1976 [NZ] New Zealand 14762
 Mar. 31, 1977 [NZ] New Zealand 14969
 [51] Int. Cl. **D6-04**
 [52] U.S. Cl. **D6/114; D6/125**
 [58] Field of Search **D6/114, 125, 130; D3/20, 79; D19/75; 211/60 T, 87**

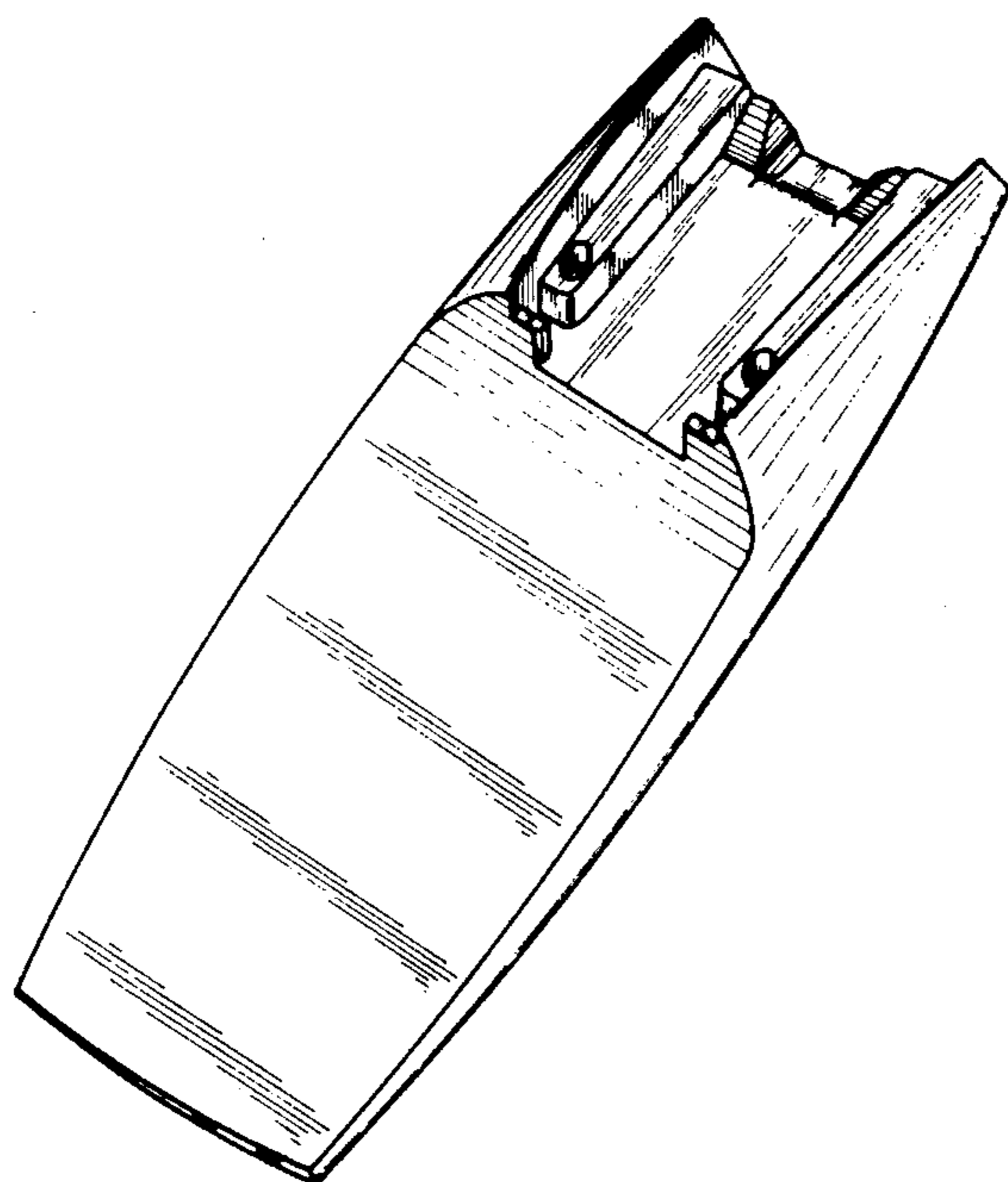
[56] **References Cited**
U.S. PATENT DOCUMENTS
 D. 233,385 10/1974 Friedman D6/114
 D. 237,836 11/1975 Anderson D6/114 X
 D. 250,076 10/1978 Aust D6/125 X

Primary Examiner—Alan P. Douglas
Attorney, Agent, or Firm—John C. Holman

[57] **CLAIM**
 The ornamental design for the kitchen cutter holder, as shown and described.

DESCRIPTION

FIG. 1 is a front perspective view of the complete kitchen cutter holder,
 FIG. 2 is a perspective view of the kitchen cutter holder with the cap removed,
 FIG. 3 is a side elevation of the cap,
 FIG. 4 is an underneath view of the cap,
 FIG. 5 is a rear elevation of the kitchen cutter holder,
 FIG. 6 is an end view in the direction of arrow 6—6,
 FIG. 7 is a side elevation of the kitchen cutter holder,
 FIG. 8 is a view from the top of the kitchen cutter holder,
 FIG. 9 is an end view in the direction of arrow 9—9,
 FIG. 10 is a side elevation of the kitchen holder having a varied cap holder,
 FIG. 11 is a front view of the varied cap kitchen cutter holder,
 FIG. 12 is an end view in the direction of arrow 12—12 of the varied kitchen cutter holder,
 FIG. 13 is a rear view of the varied cap kitchen cutter holder,
 FIG. 14 is an end view in the direction of arrow 14—14 of the varied kitchen cutter holder,
 FIG. 15 is a side elevation of the varied cap,
 FIG. 16 is a front perspective view with the varied cap removed,
 FIG. 17 is an underneath view of the varied cap, and
 FIG. 18 is a front perspective view of the varied cap kitchen cutter holder.
 The characteristic features of the design reside in the overall shape of the tool holder but particularly in the features to be seen in the front elevation and side elevation.



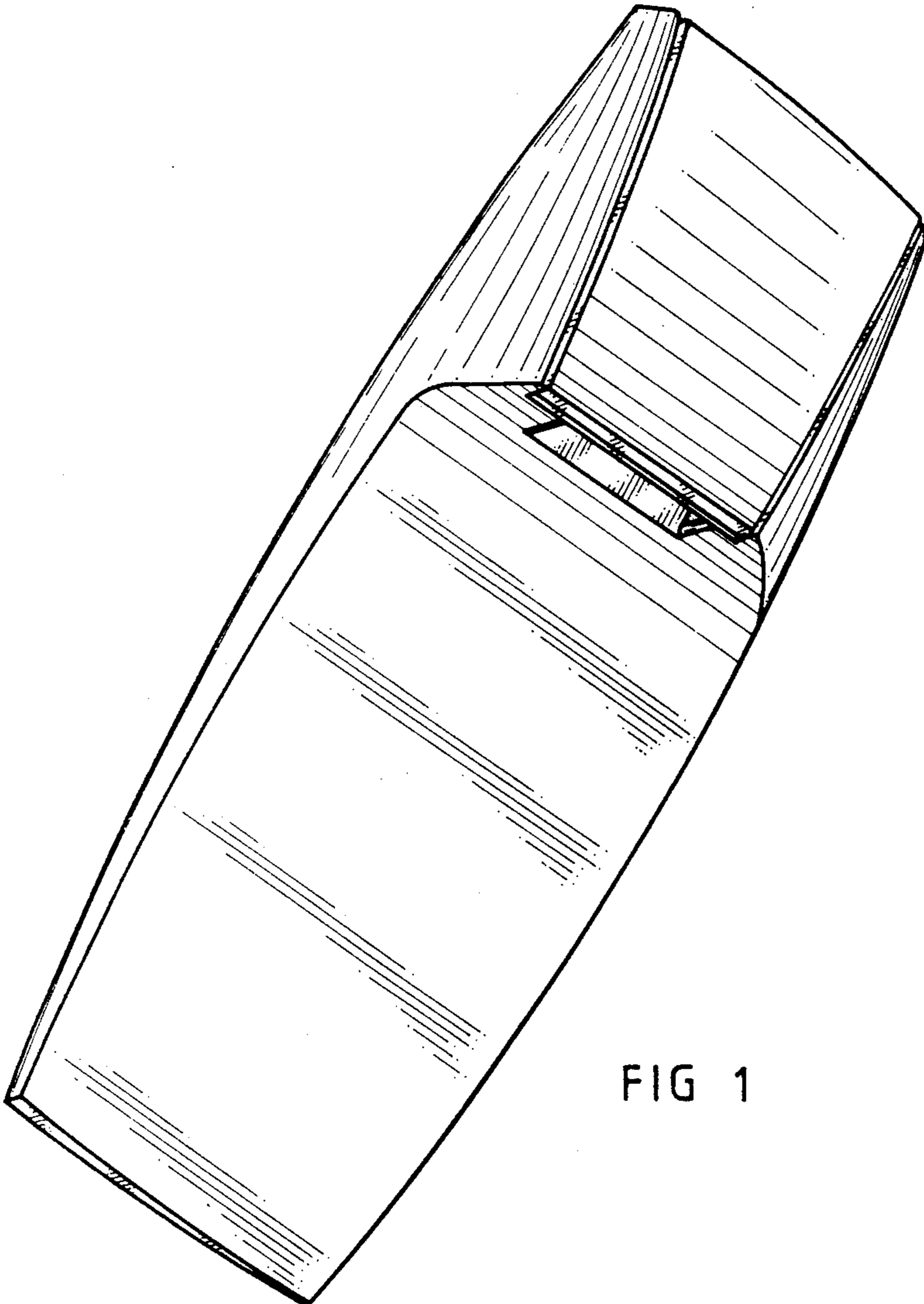
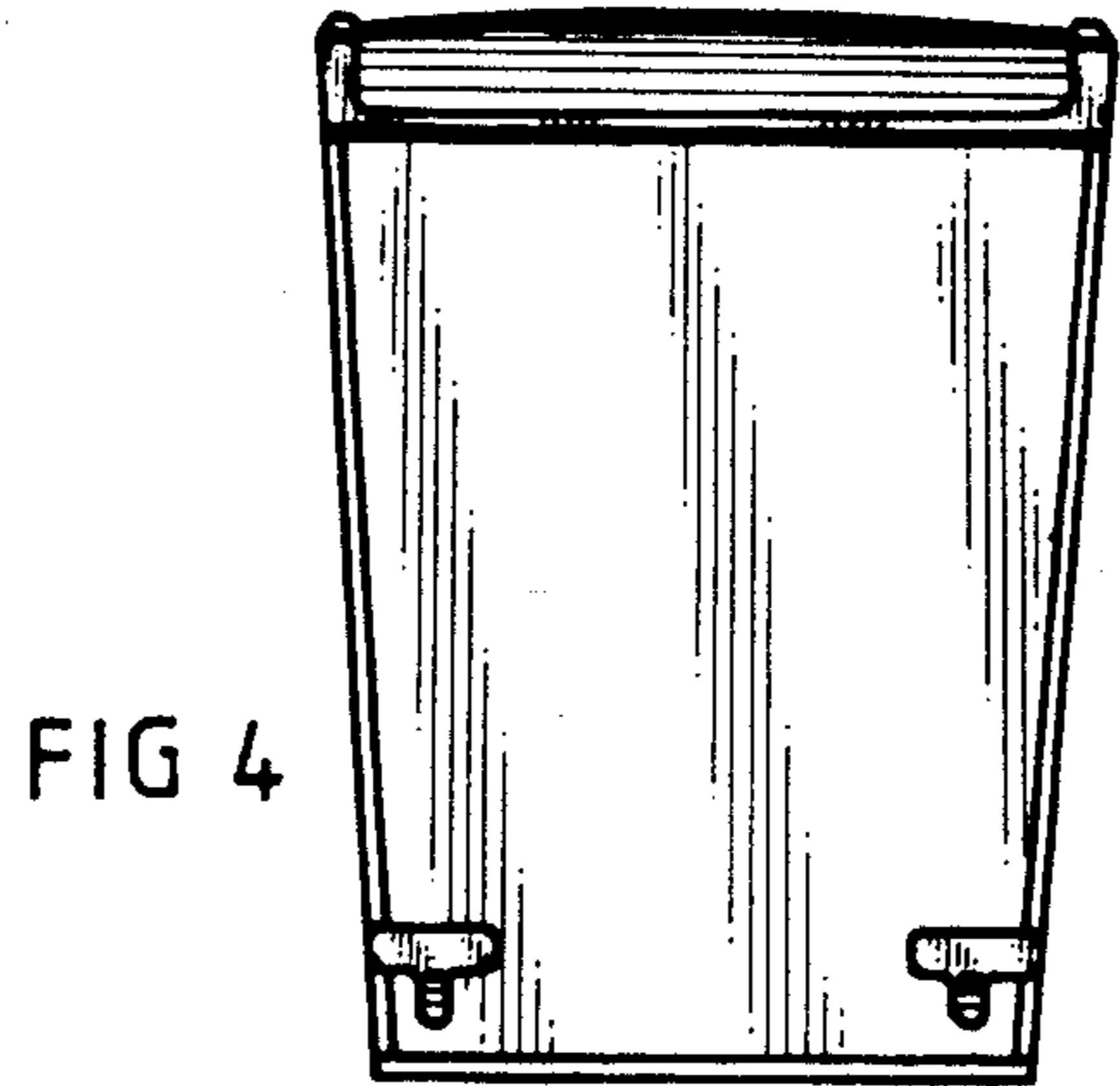
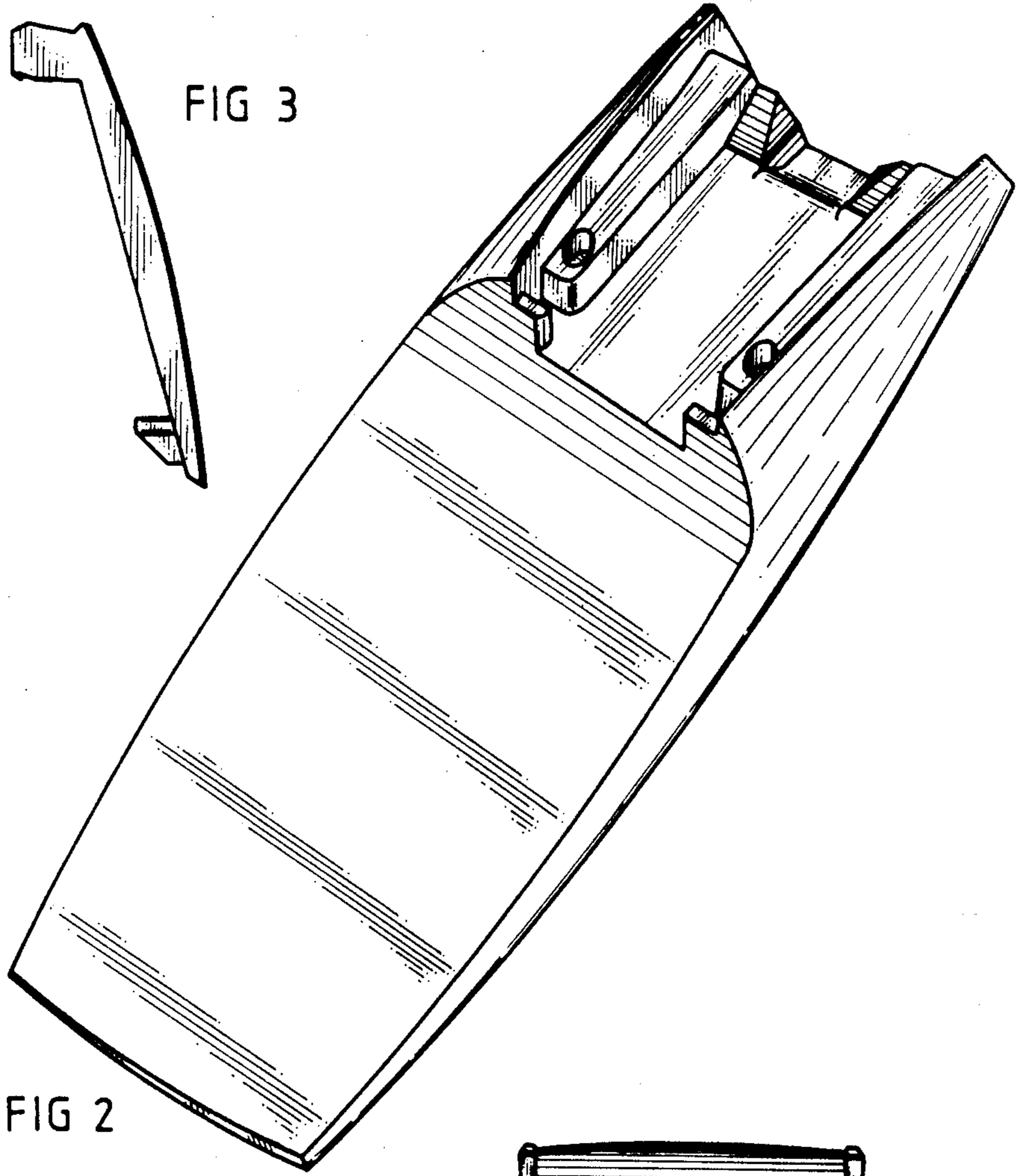


FIG 1



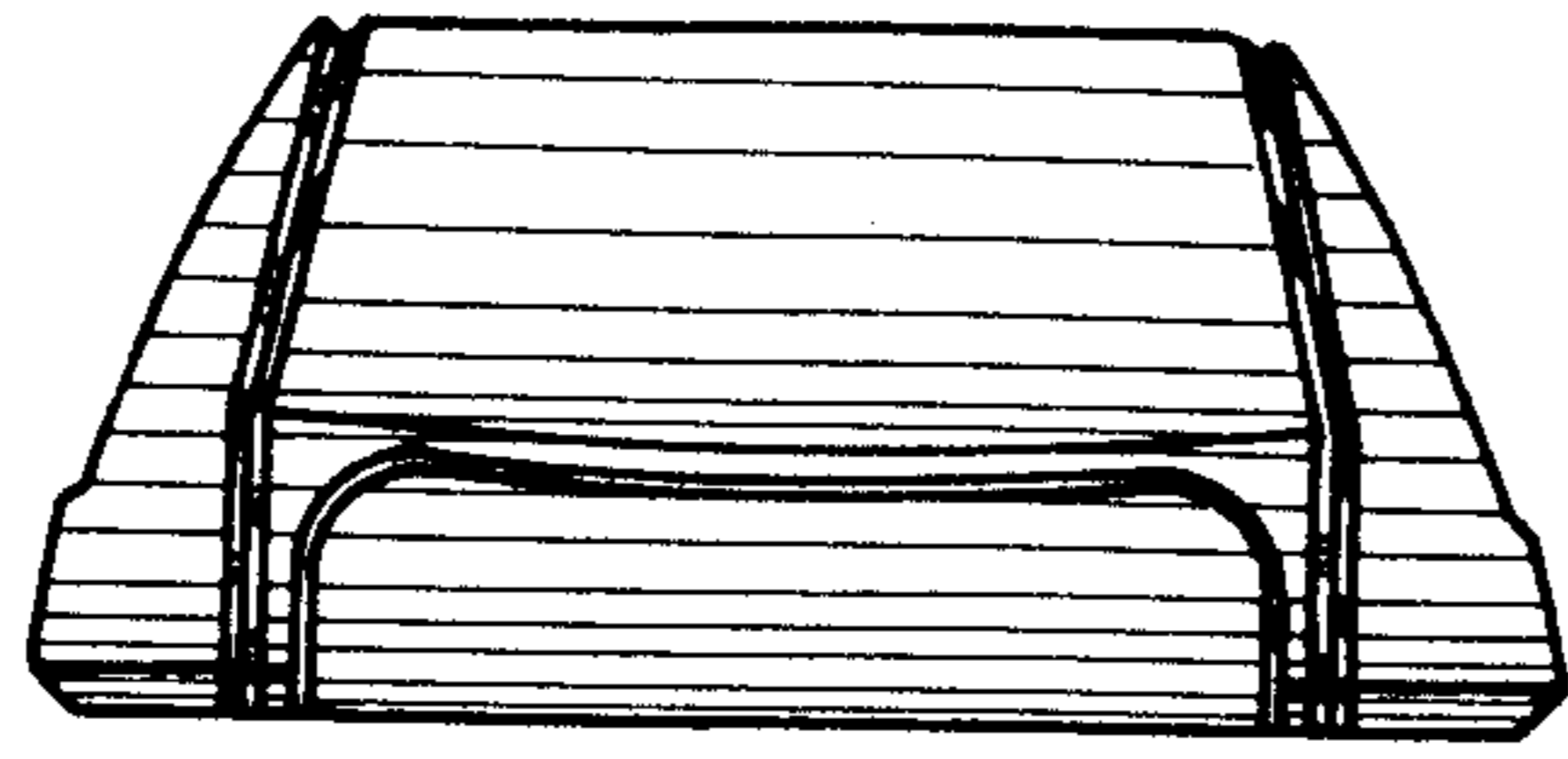


FIG 6

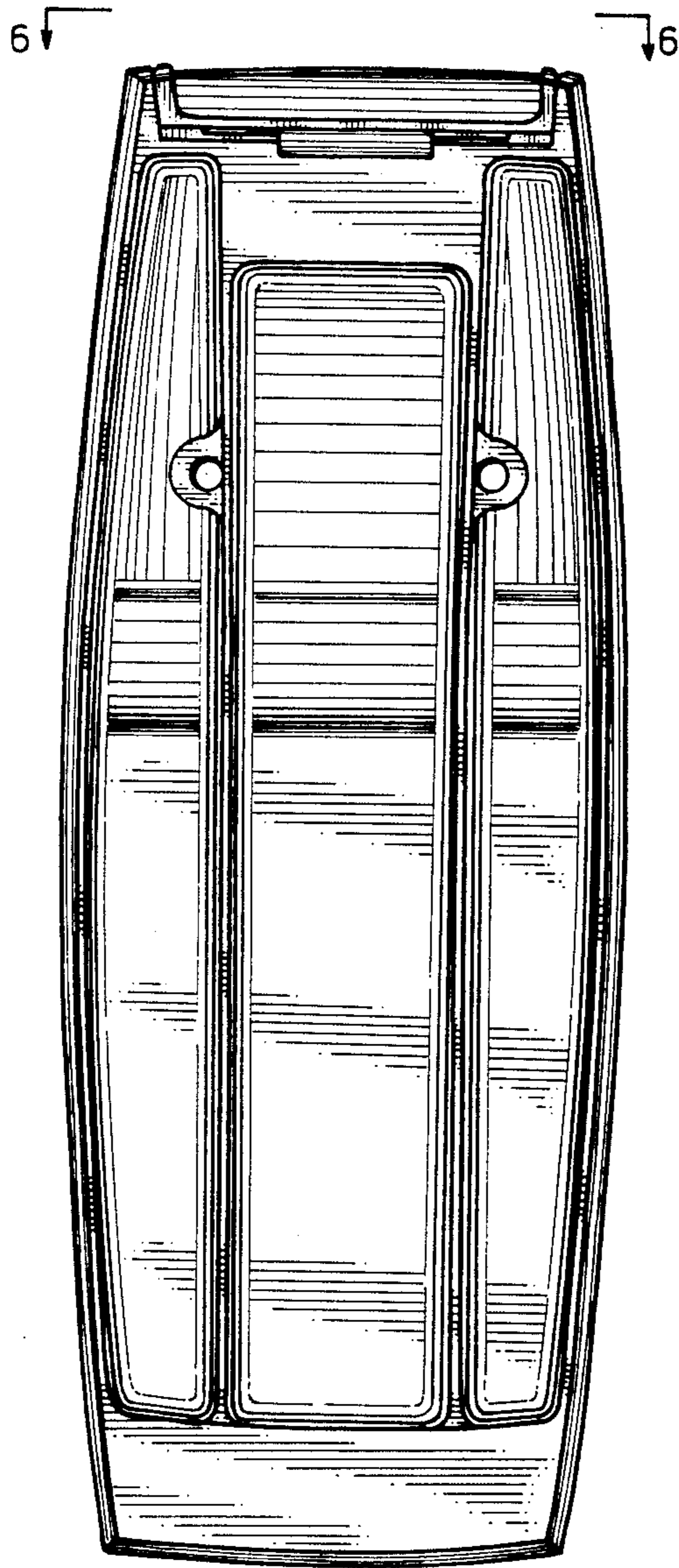
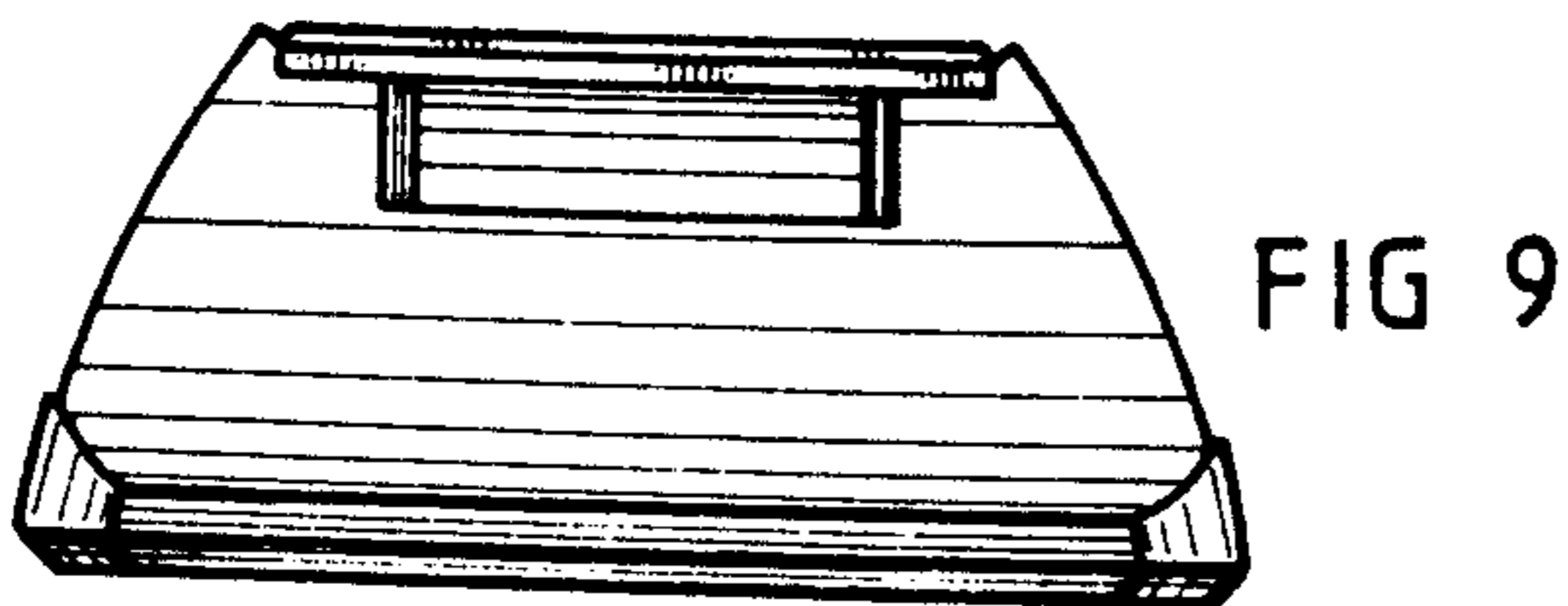
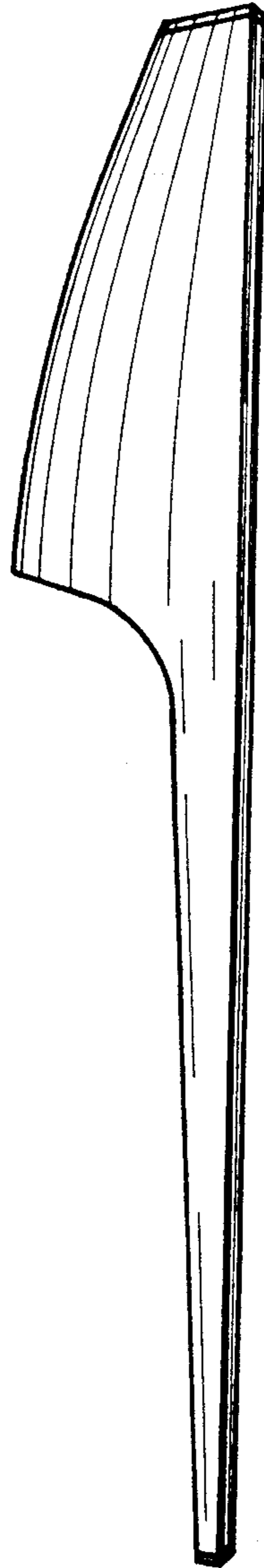
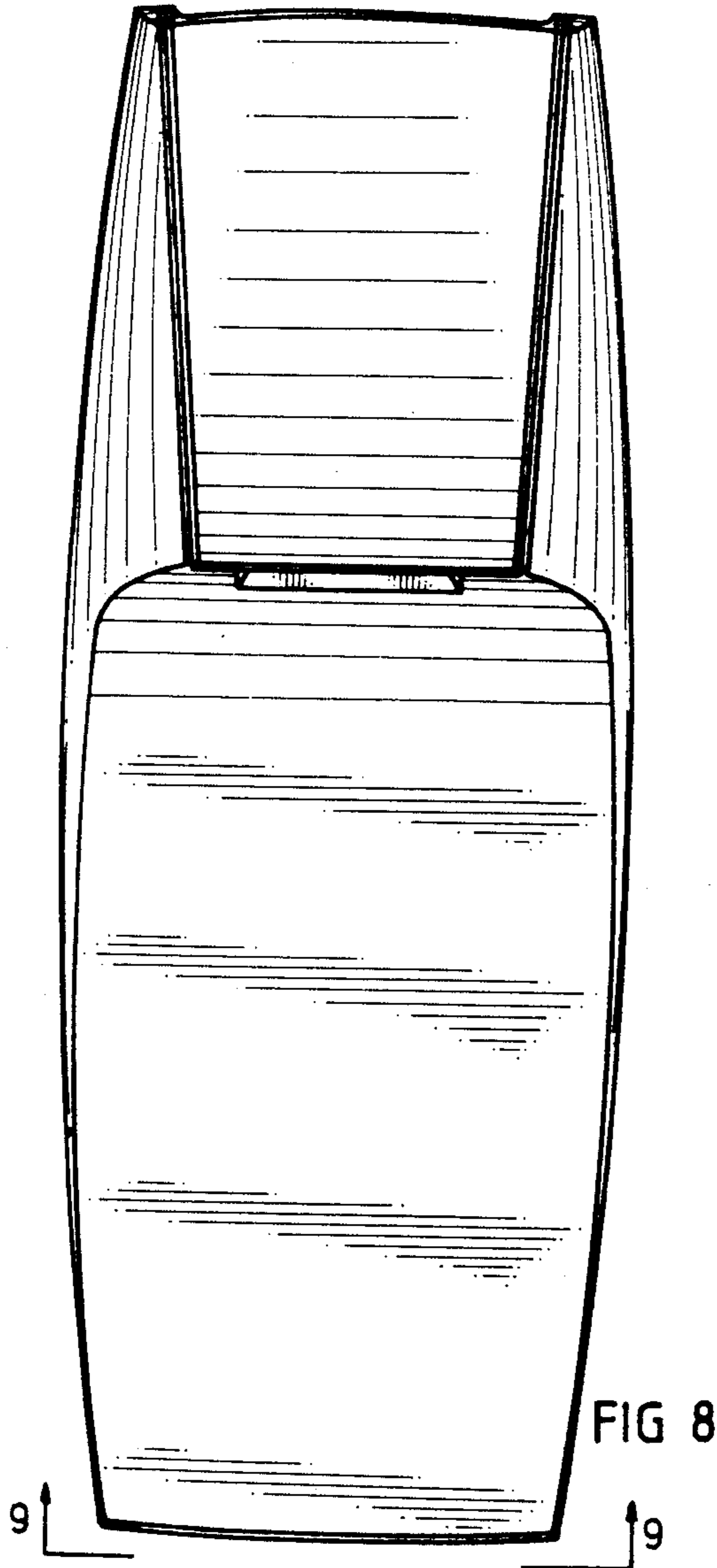


FIG 5



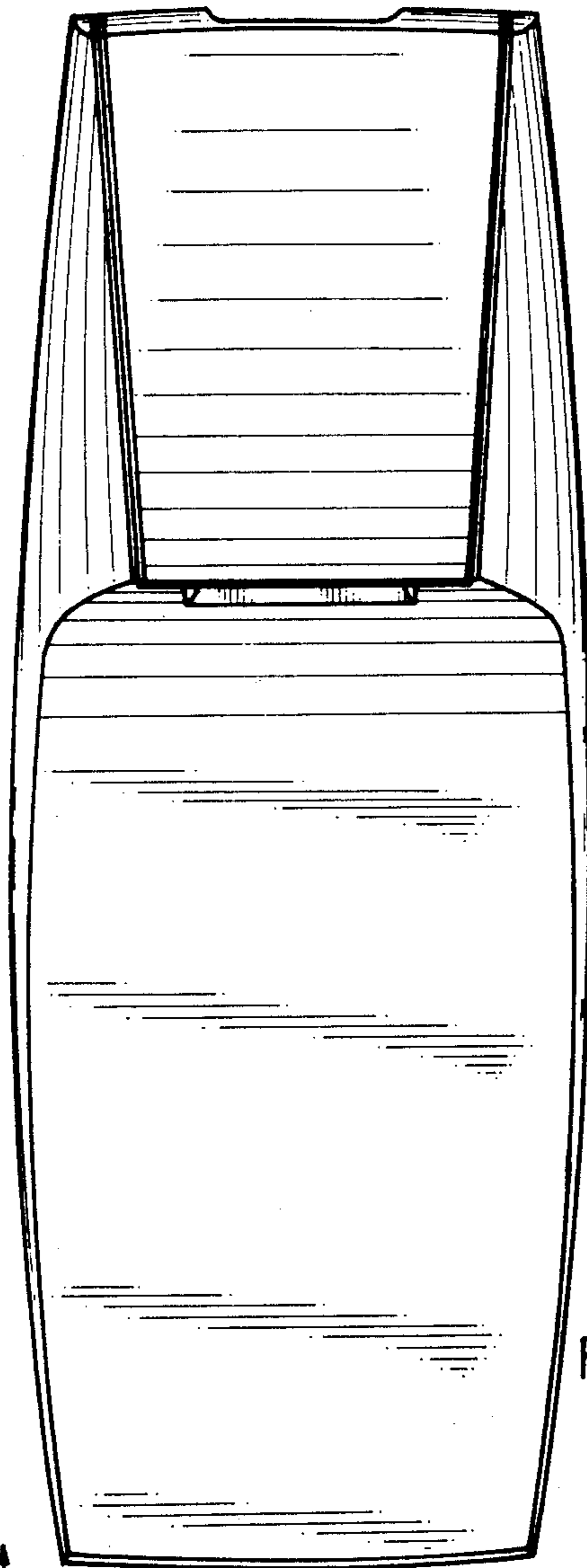


FIG 11

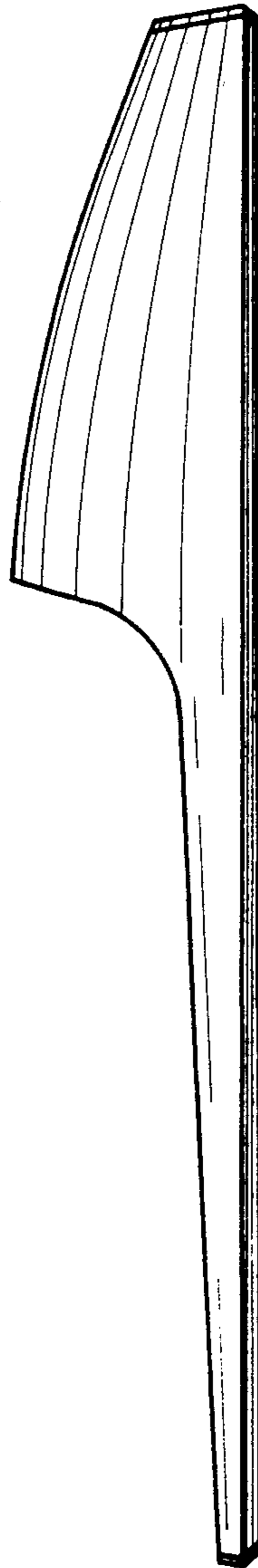


FIG 10

12

12

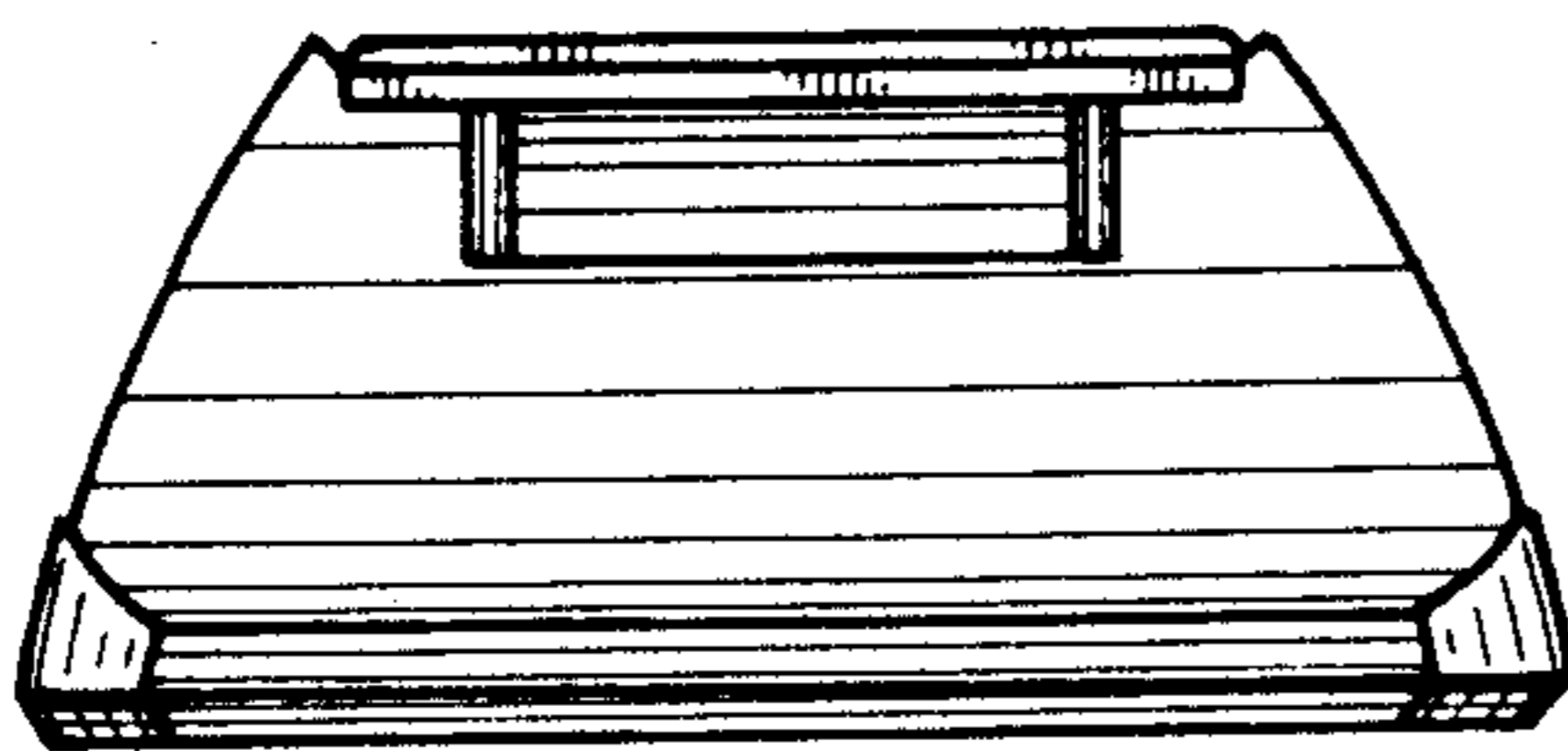


FIG 12

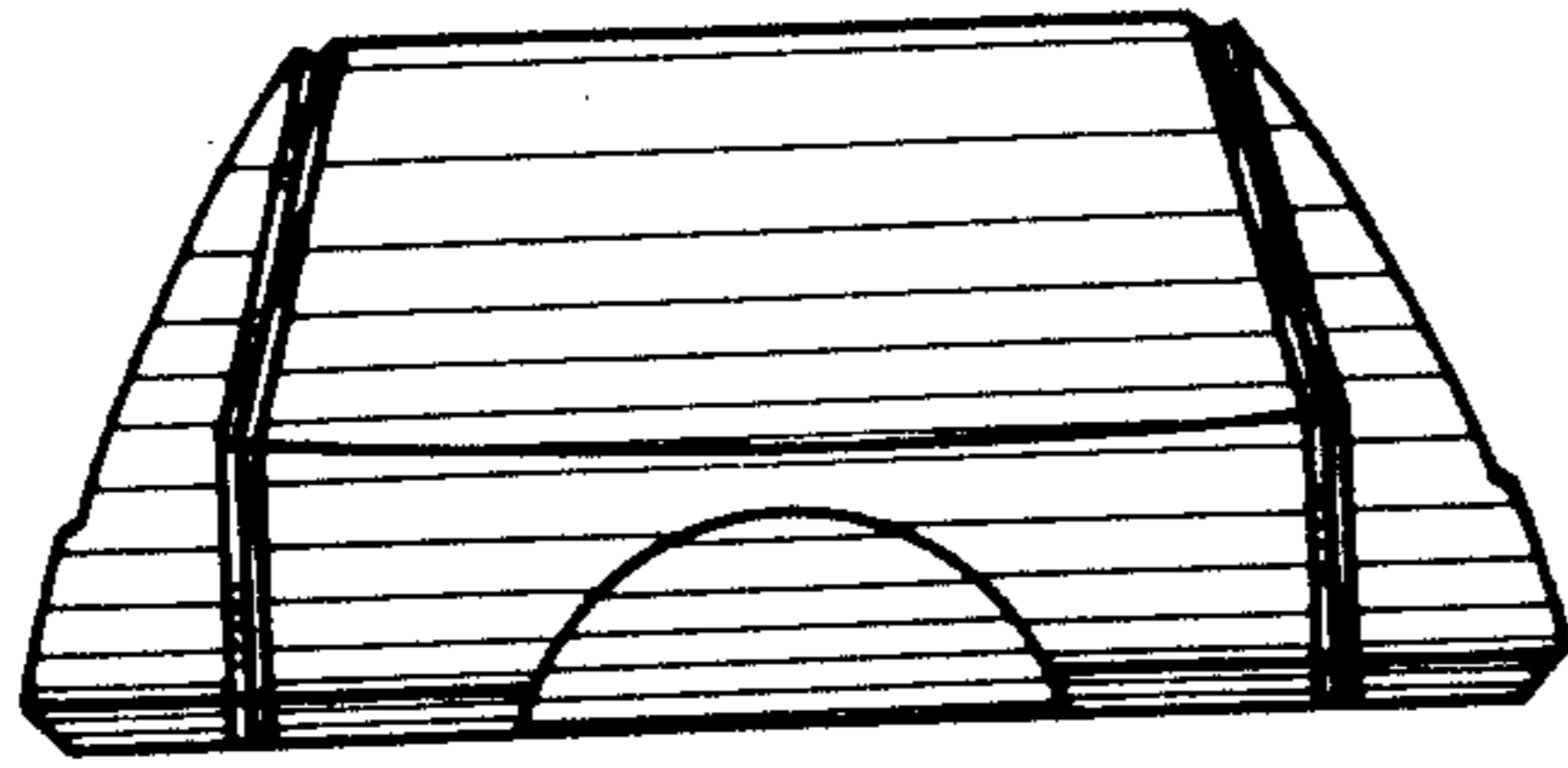


FIG 14

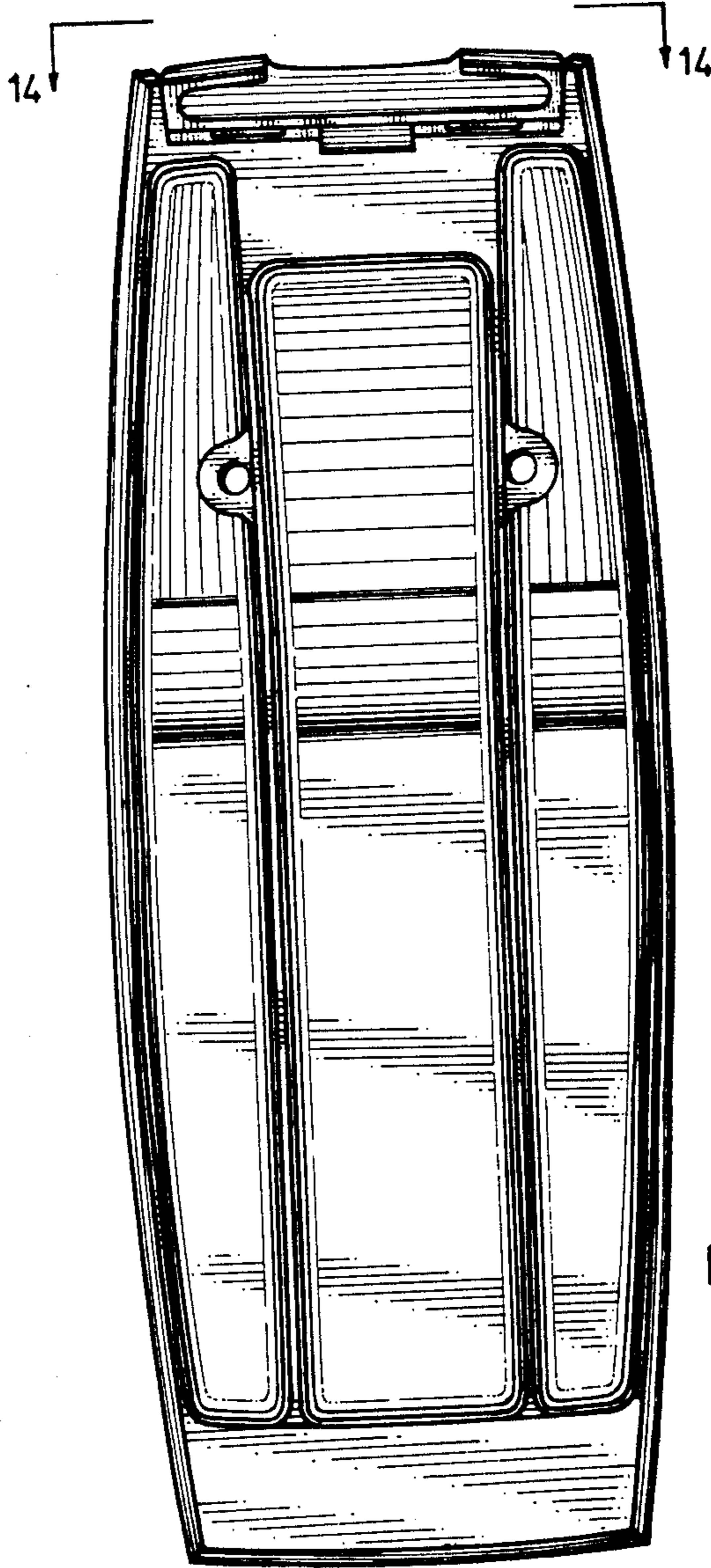


FIG 13



FIG 15

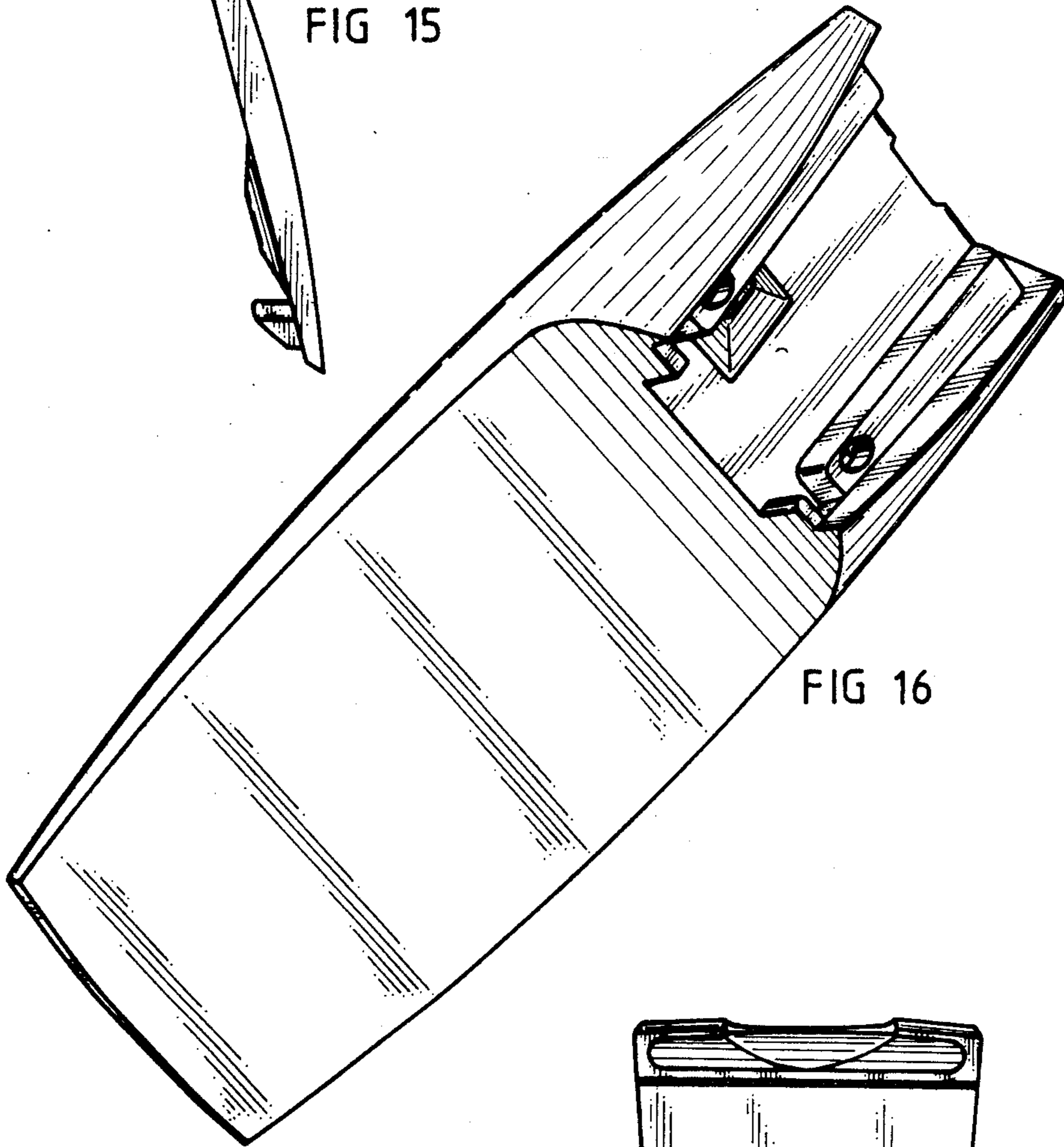


FIG 16

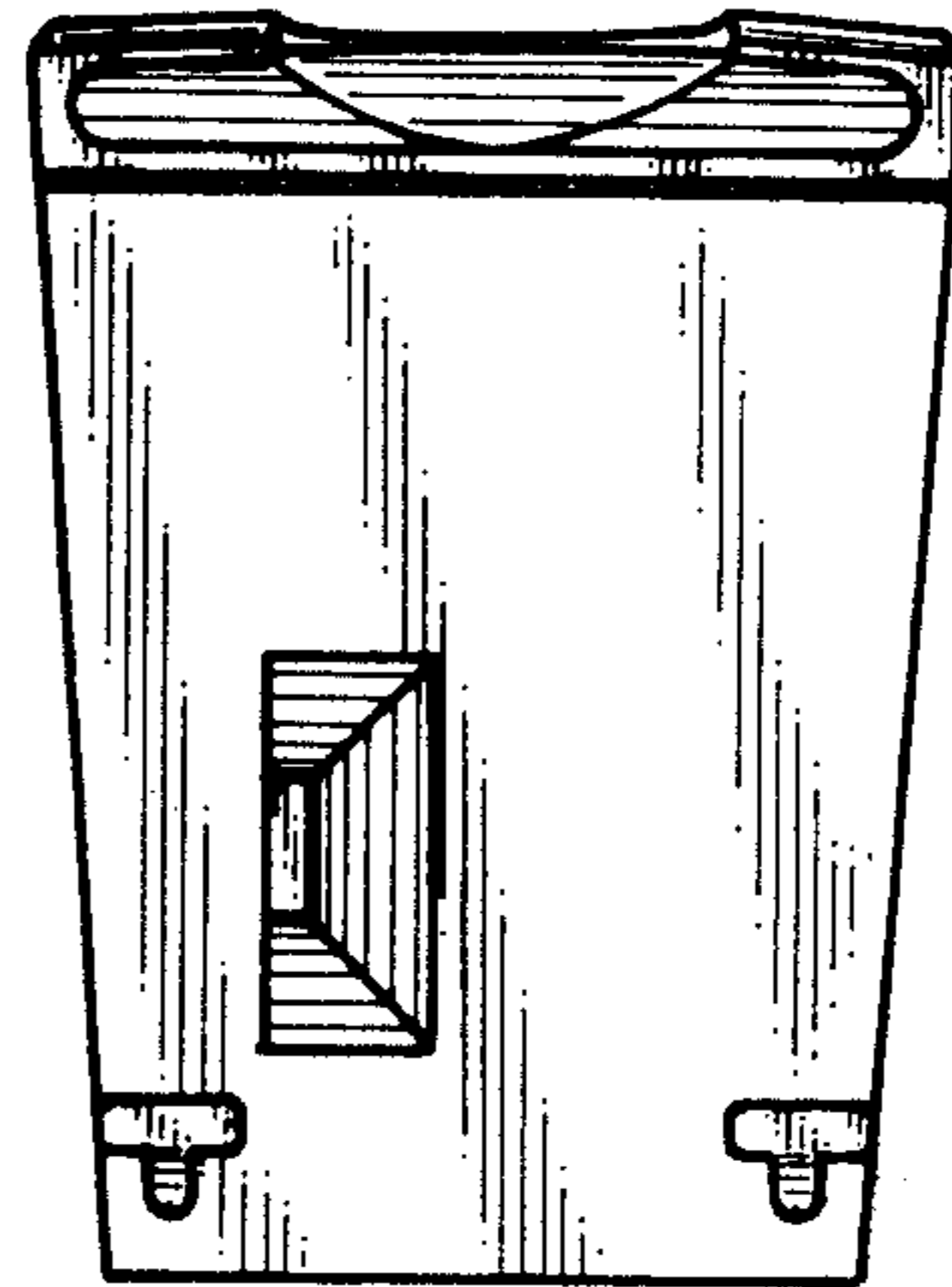


FIG 17

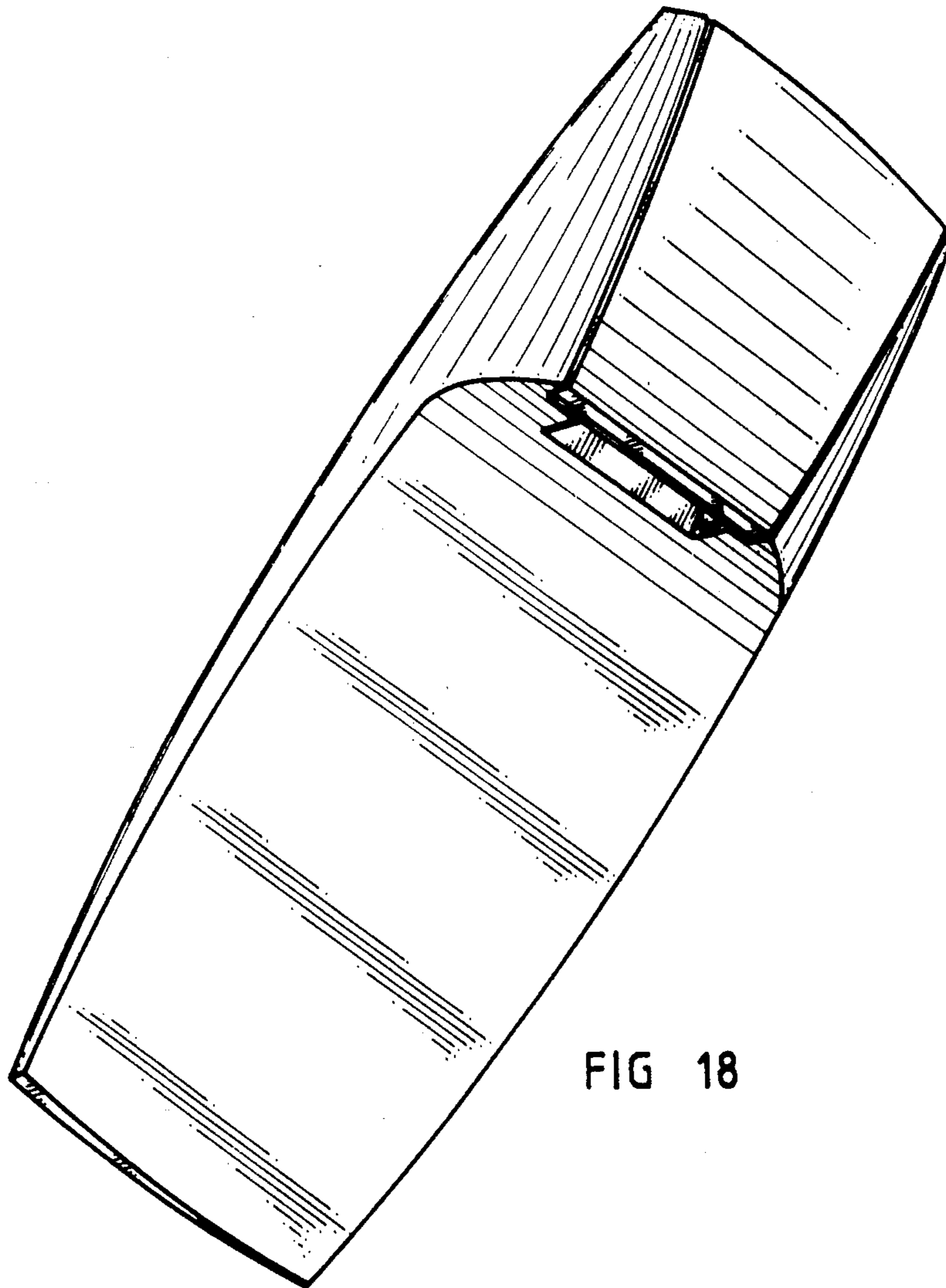


FIG 18