

[54] WINDOW COMPONENT EXTRUSION

[76] Inventor: Raymond Dallaire, P.O. Box 220,
Levis, Quebec, Canada

[**] Term: 14 Years

[21] Appl. No.: 942,389

[22] Filed: Sep. 14, 1978

[30] Foreign Application Priority Data

Mar. 7, 1978 [CA] Canada 1703785

[51] Int. Cl. D25-01

[52] U.S. Cl. D25/74; D25/52

[58] Field of Search D25/47, 48, 52, 60,
D25/61, 73, 74, 75, 76; 49/413, 504; 52/716,
720-739

[56] References Cited

U.S. PATENT DOCUMENTS

D. 216,956	3/1970	Dallaire	D25/74 X
D. 222,932	2/1972	Dallaire	D25/74 X
D. 226,904	5/1973	Dallaire et al.	D25/74 X
D. 251,134	2/1979	Bancroft et al.	D25/74

Primary Examiner—A. Hugo Word

Attorney, Agent, or Firm—Cushman, Darby & Cushman

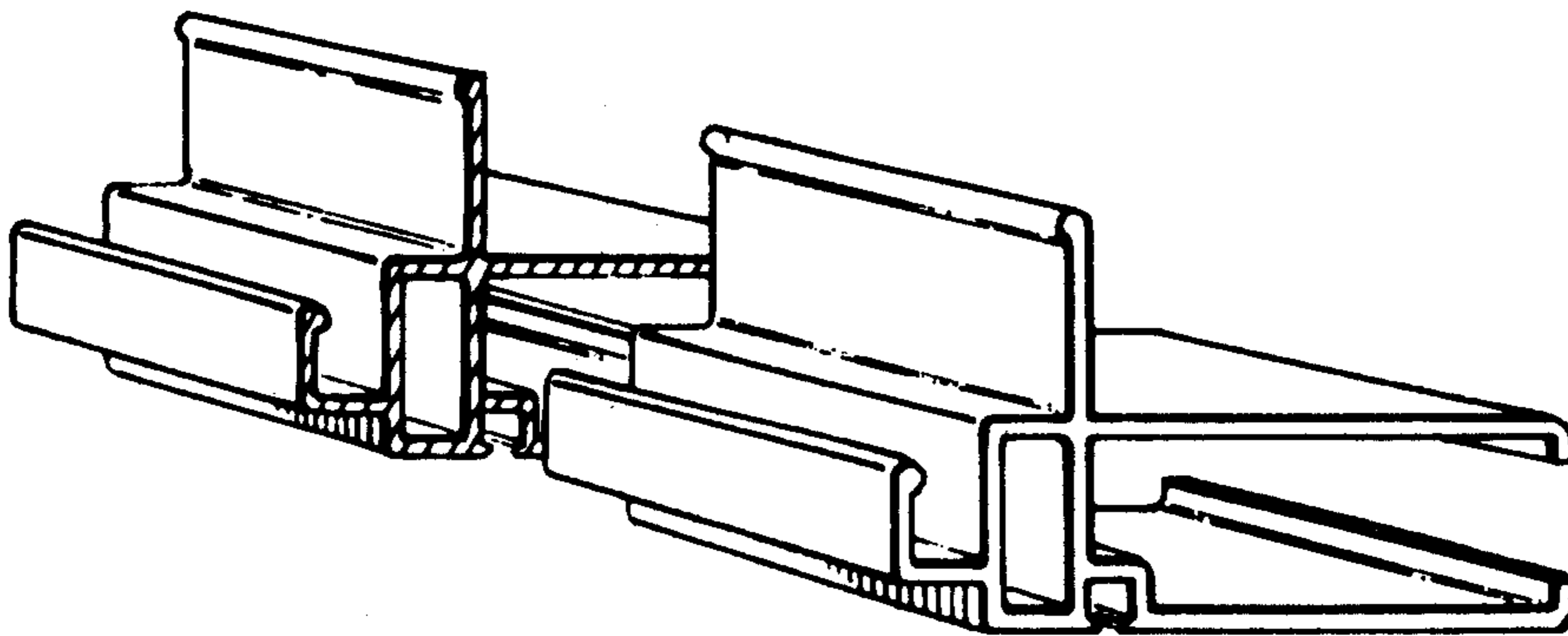
[57] CLAIM

The ornamental design for a window component extrusion, as shown.

DESCRIPTION

FIG. 1 is a broken perspective of one side of the extrusion, and

FIG. 2 is a corresponding broken perspective from the opposite side of the extrusion compared to FIG. 1.



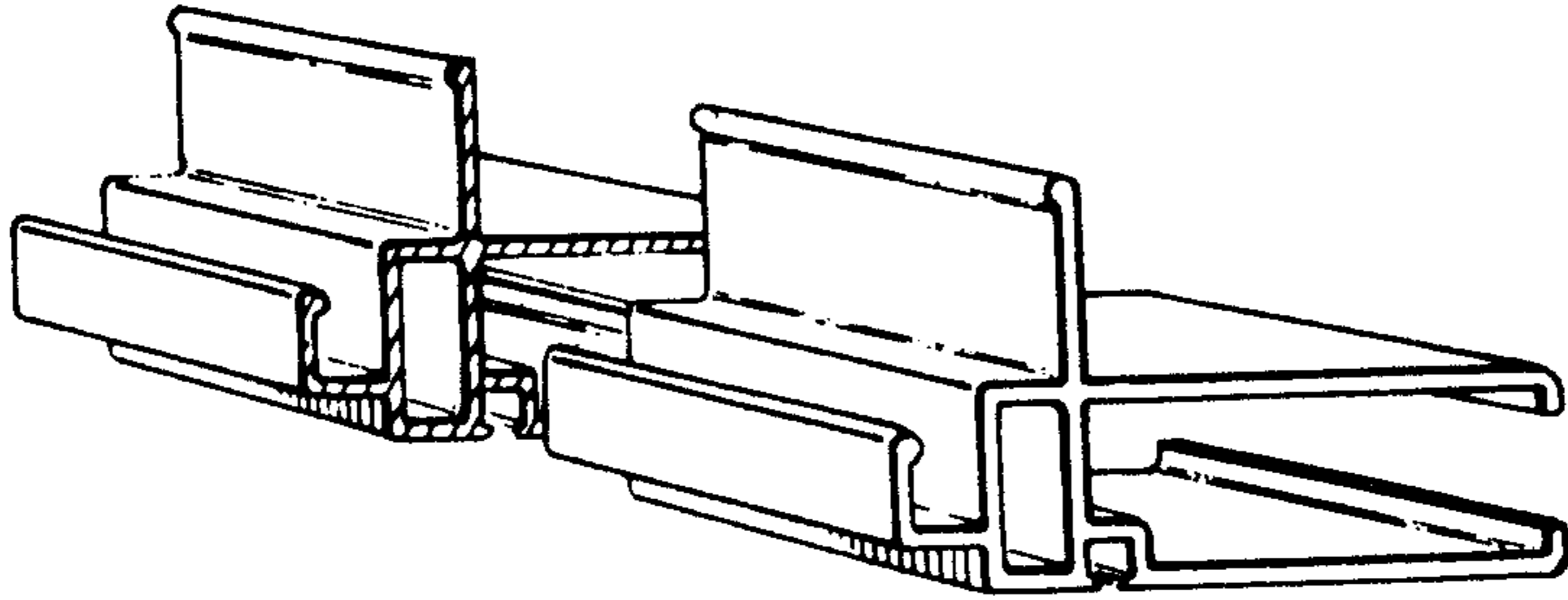


FIG. 1

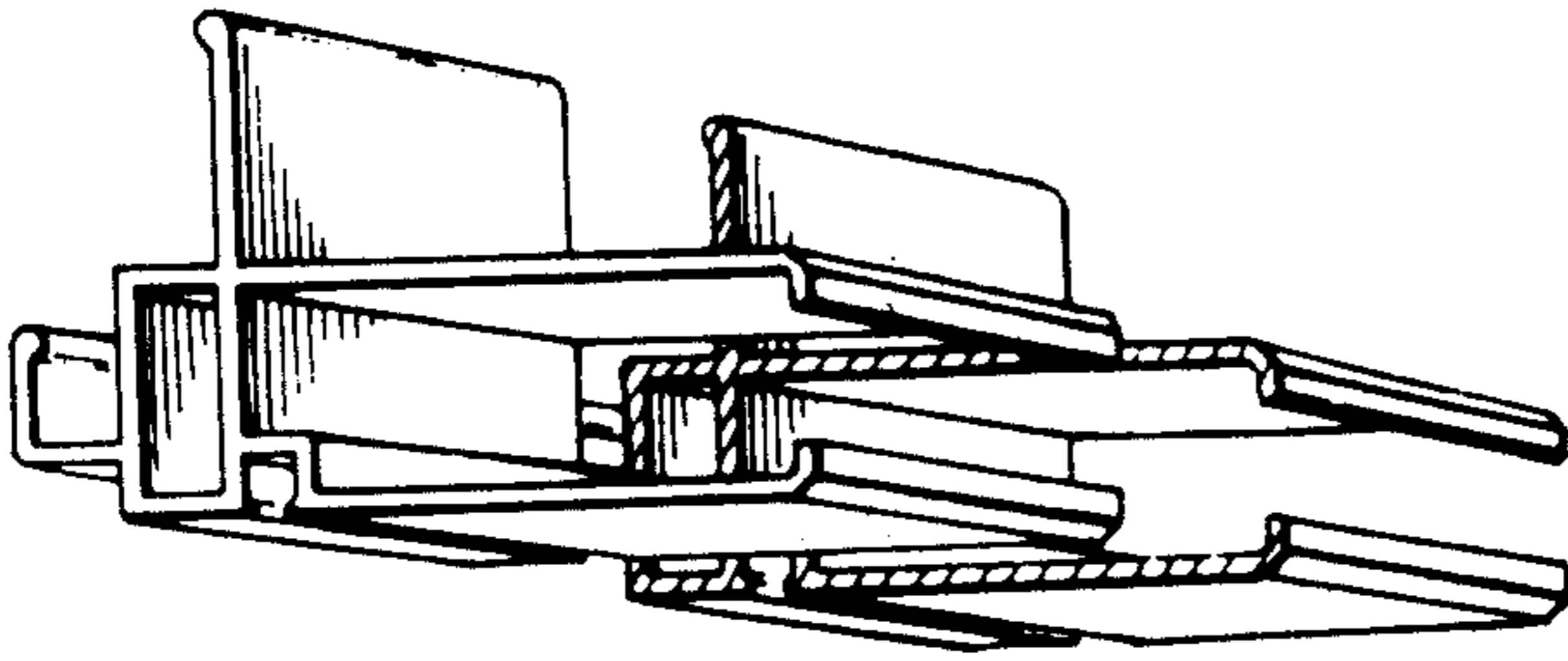


FIG. 2