

[54] TABLE FOR EXAMINATION AND THERAPEUTIC USE

[76] Inventor: Peter Byrum, 173 S. Nardo, Solana Beach, Calif. 92075

[**] Term: 14 Years

[21] Appl. No.: 910,582

[22] Filed: May 30, 1978

[51] Int. Cl. D24-01

[52] U.S. Cl. D24/3; D6/177; D6/201

[58] Field of Search D24/3; 5/345 R, 357, 5/359, 465; D6/177, 201, 204

[56] References Cited

U.S. PATENT DOCUMENTS

1,040,795	10/1912	Skeffington	5/465
4,122,567	10/1978	Hanson	5/465
4,136,409	1/1979	Ishida	5/465

OTHER PUBLICATIONS

Hamilton Cosco Co. Brochure-Jun. 3, 1974, page entitled "Concept", Table bottom half of page.

Primary Examiner—Sam Rosen

Attorney, Agent, or Firm—Duane C. Bowen

[57] CLAIM

The ornamental design for a table for examination and therapeutic use, as shown and described.

DESCRIPTION

FIG. 1 is a perspective view of a table for examination and therapeutic use showing my new design, with a pair of removable inserts being shown in removed position; FIG. 2 is a side elevational view thereof; FIG. 3 is an end elevational view thereof; FIG. 4 is a perspective view of the table for examination and therapeutic use shown in FIG. 1 but with the inserts in installed positions; FIG. 5 is a side elevational view of the table for examination and therapeutic use shown in FIG. 4; FIG. 6 is a bottom view thereof; FIG. 7 is a perspective view of a table for examination and therapeutic use showing a second embodiment of my new design, the view differing from FIG. 1 in there being a showing of a hinging connection of an insert; and FIG. 8 is a perspective view of a table for examination and therapeutic use showing a third embodiment of my new design, the view differing from FIG. 7 in there being a showing of hinged connections of a divided insert. The arrows in FIGS. 7 and 8 indicate hinged adjustment of inserts.

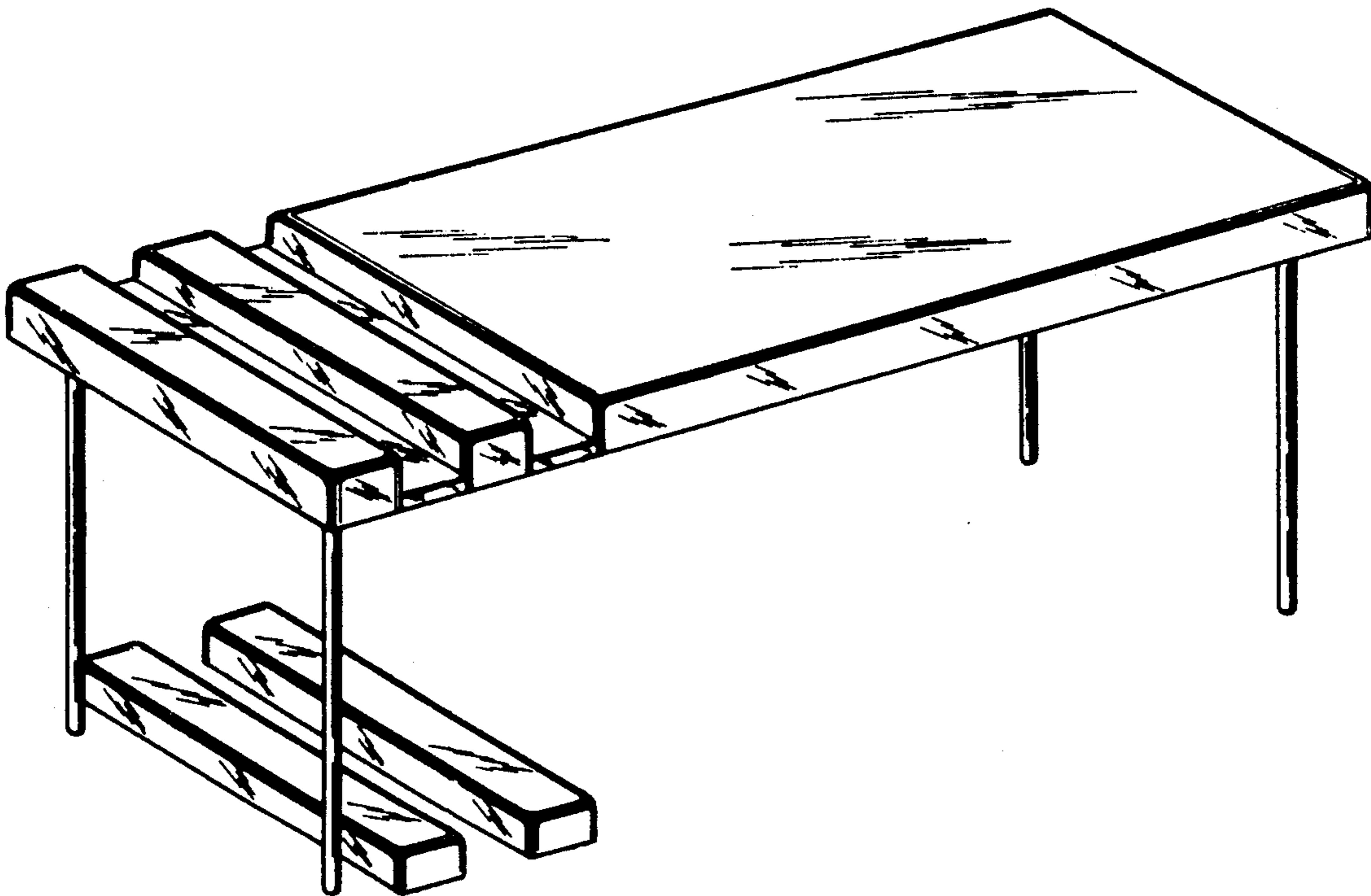


Fig. 1

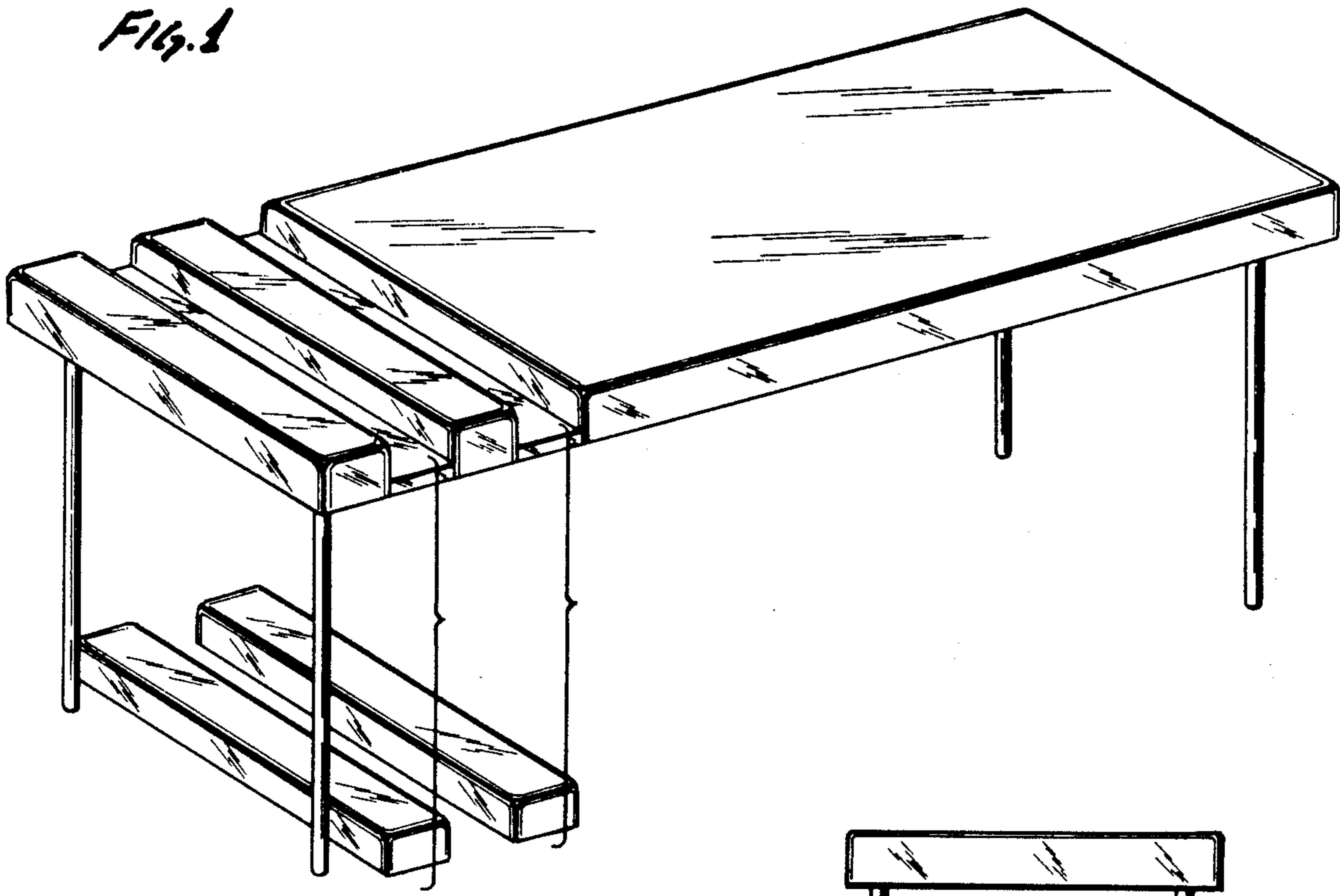


Fig. 3

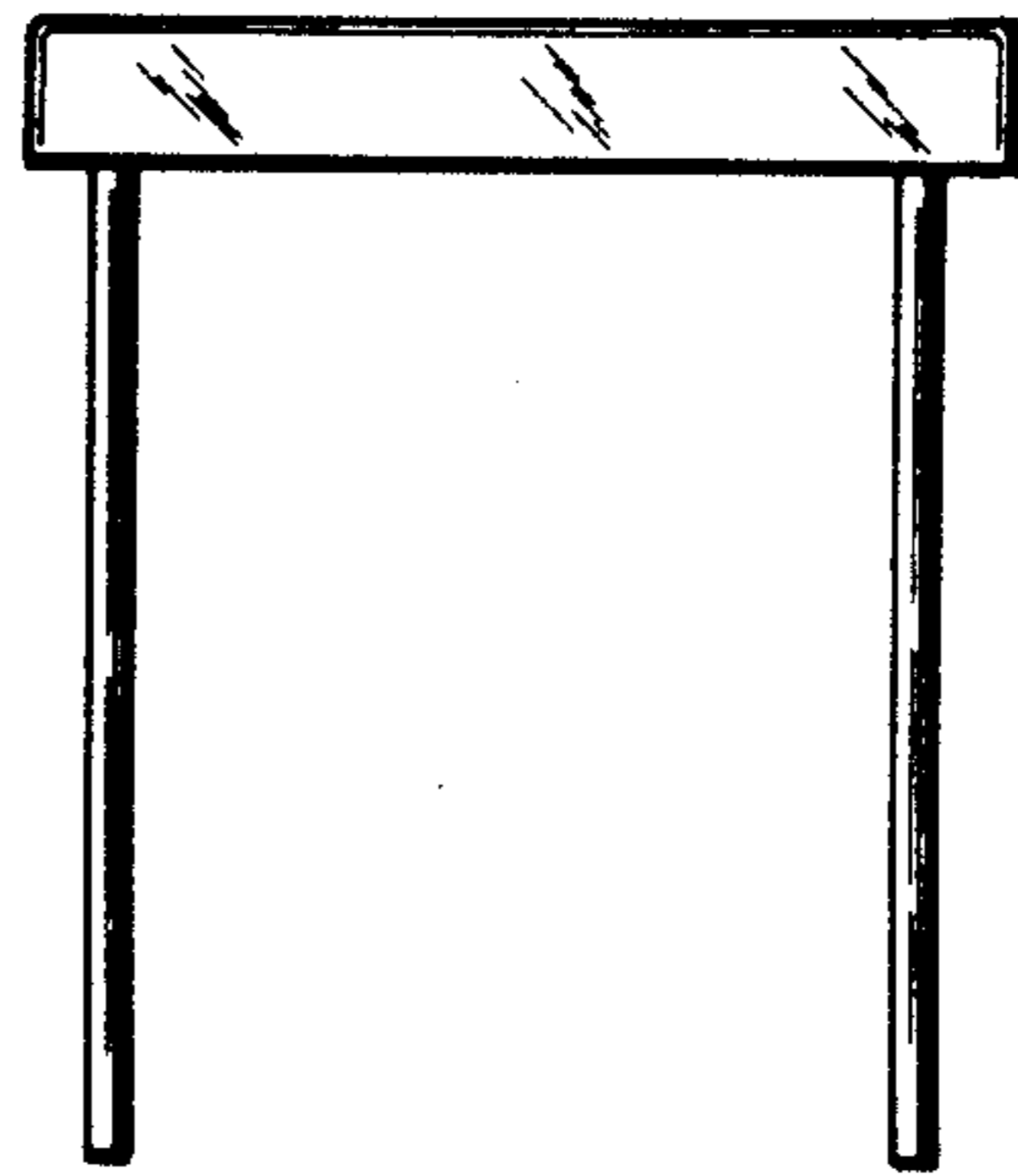


Fig. 2

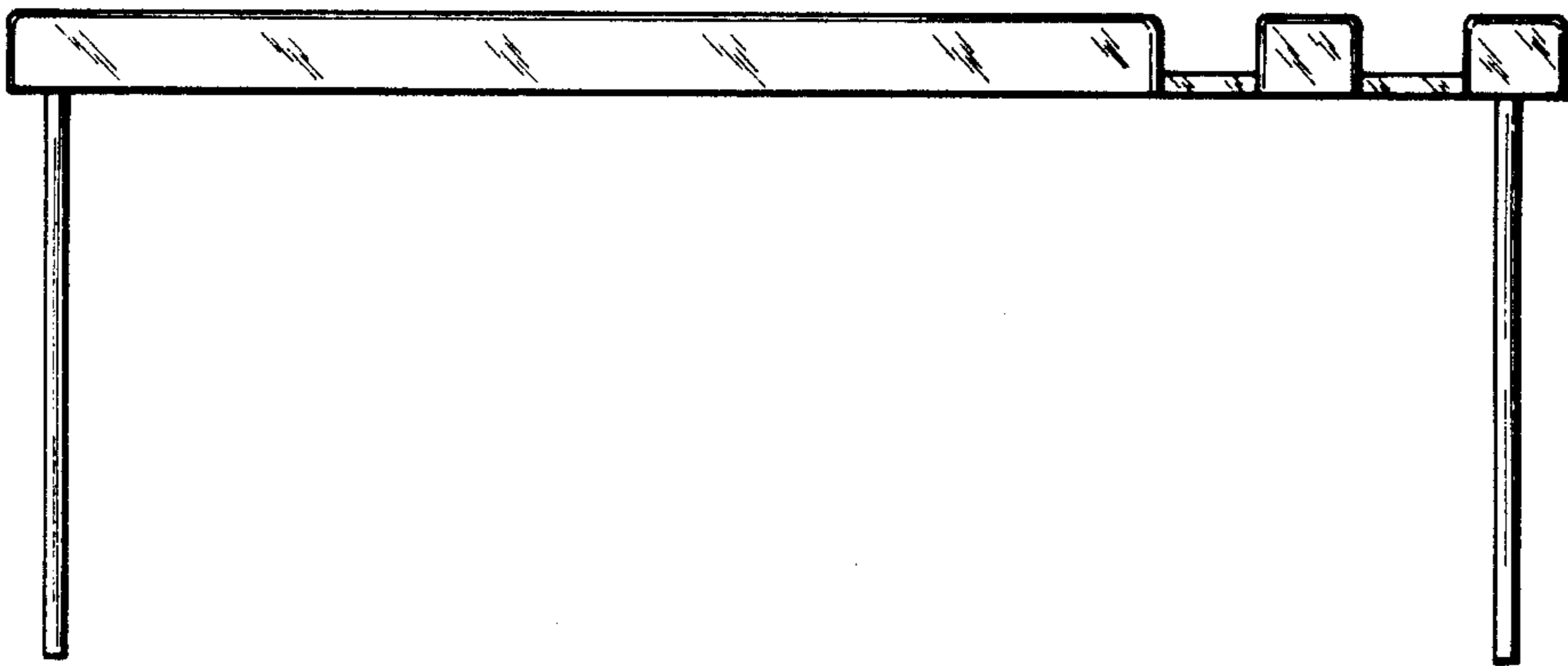


Fig. 4

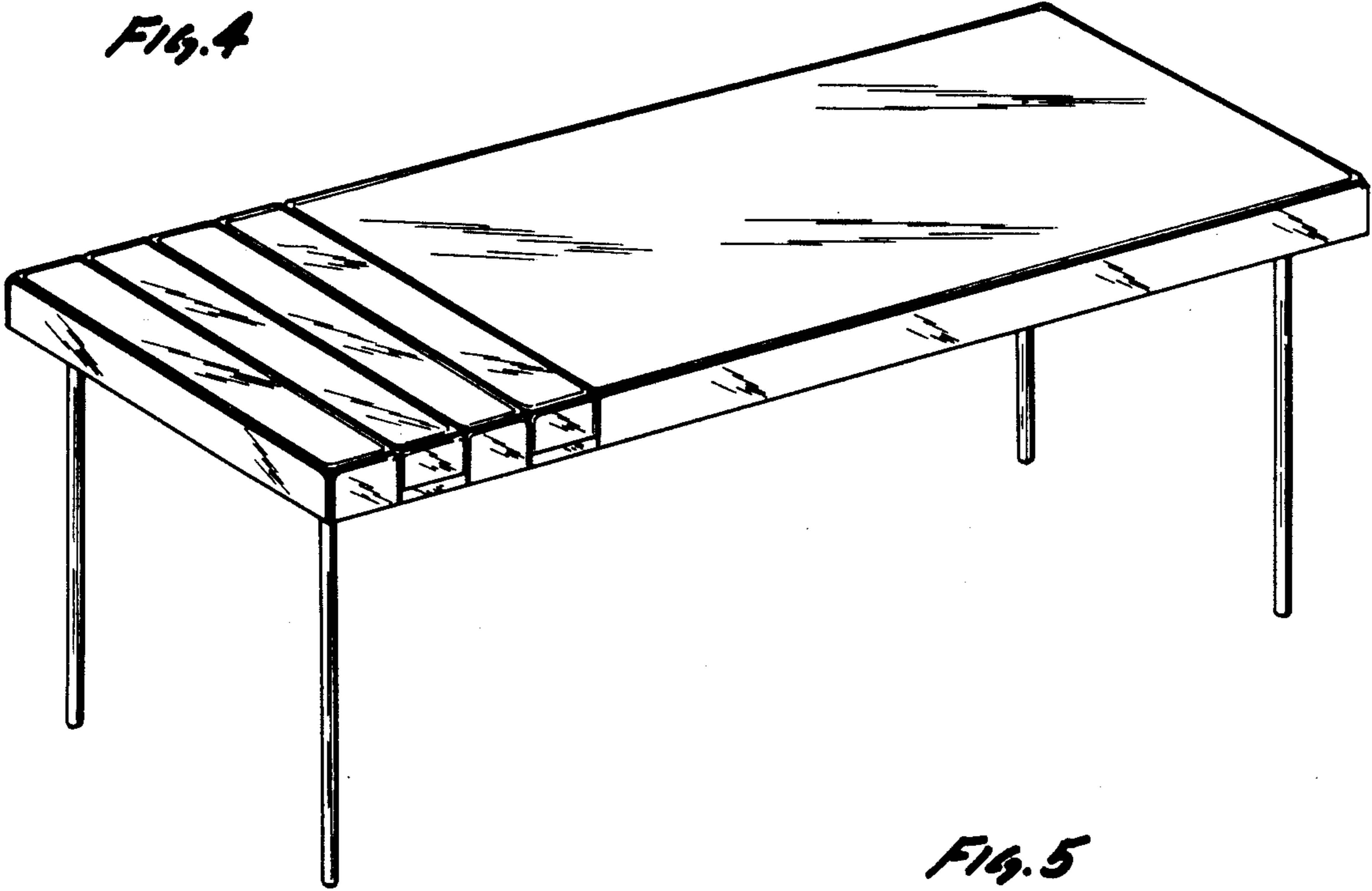


Fig. 5

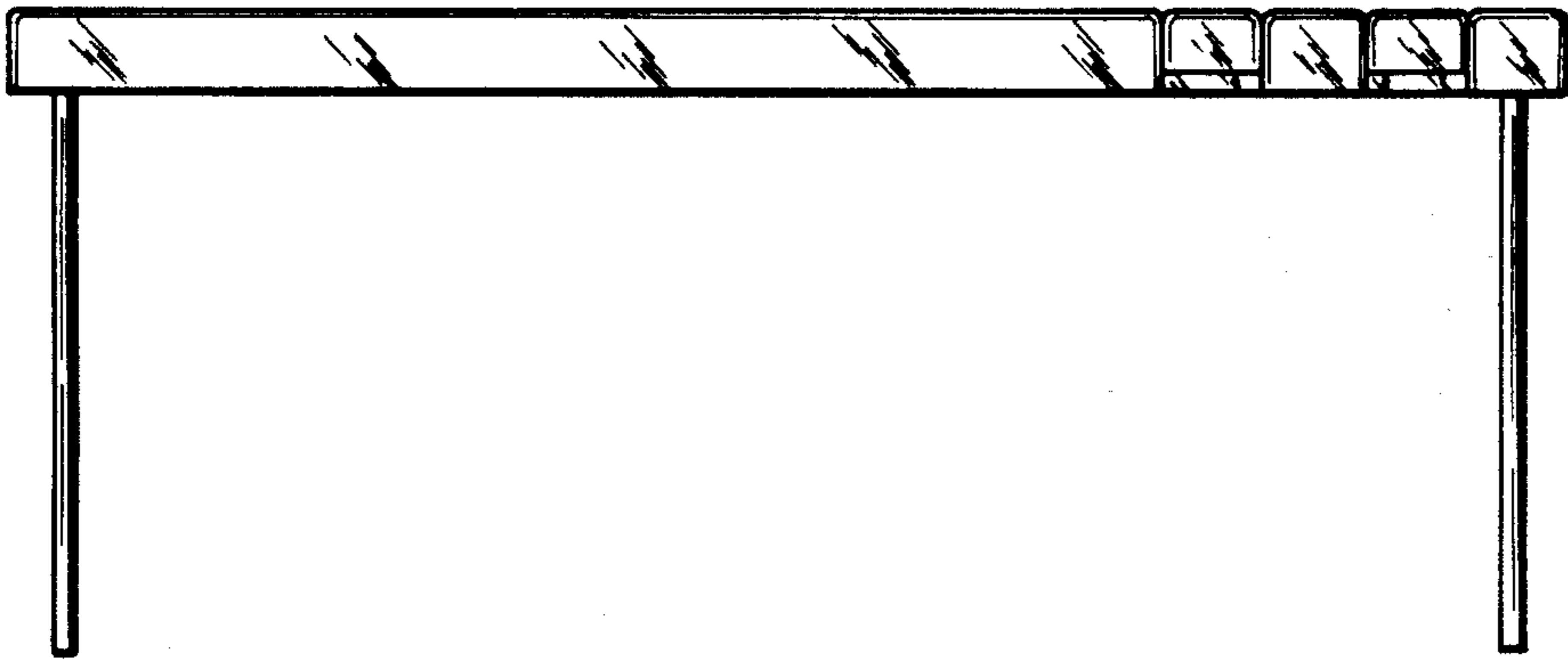


Fig. 6

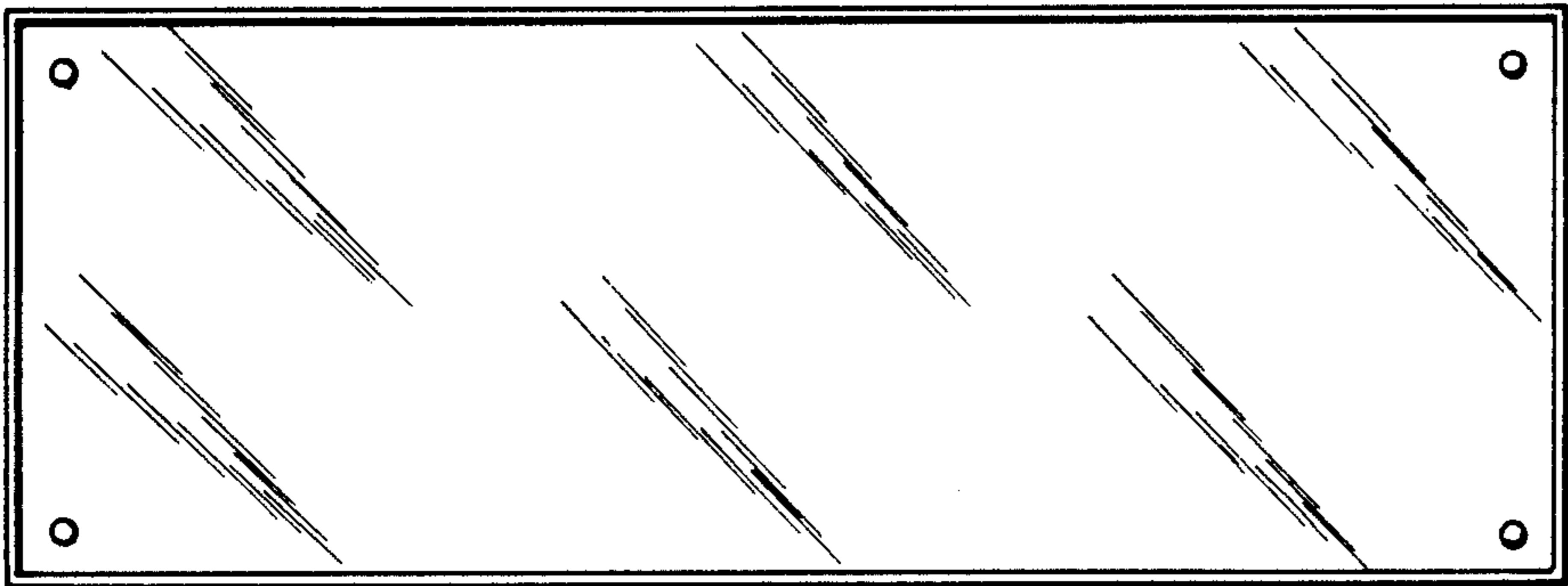


Fig. 7

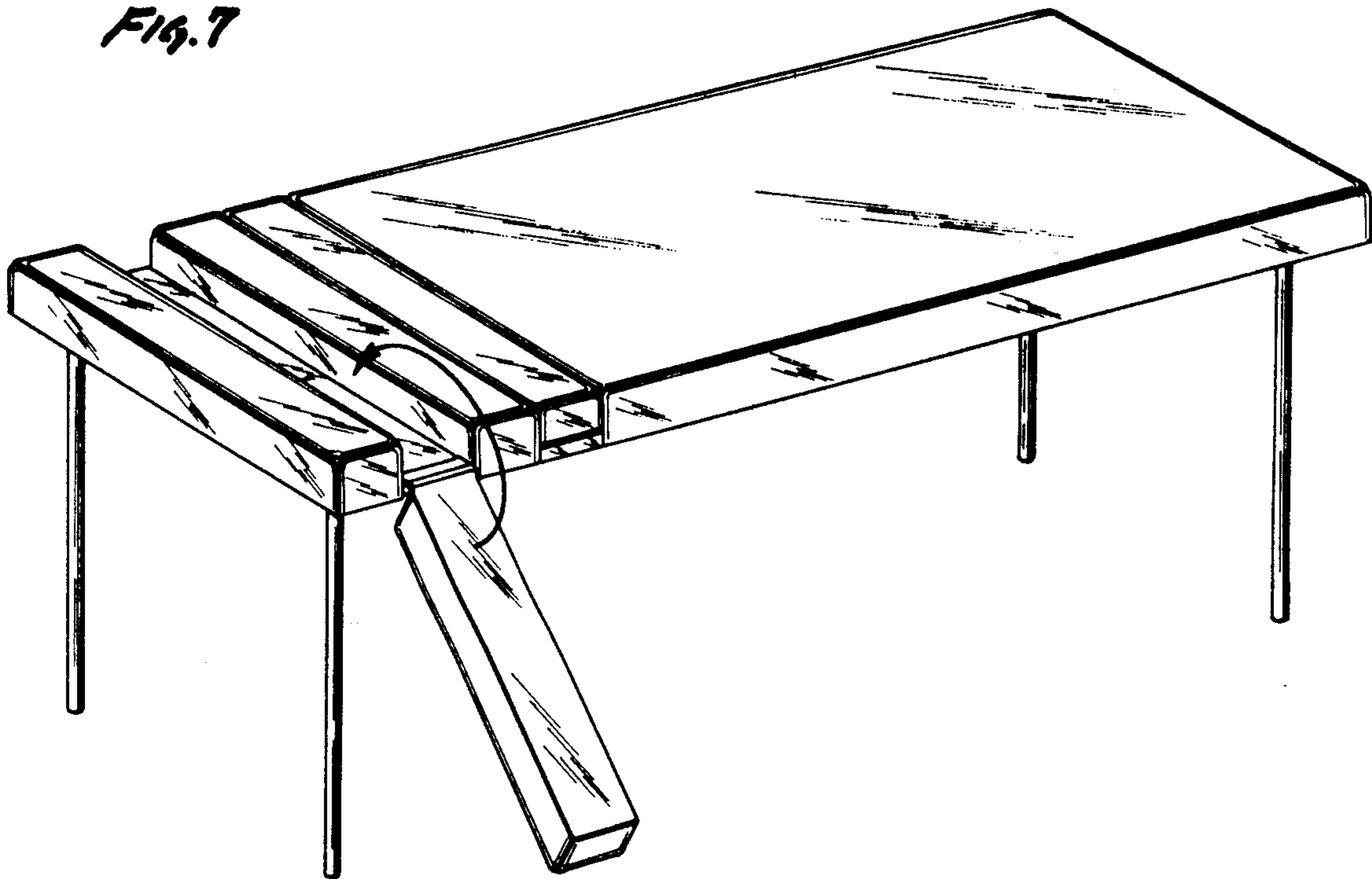


Fig. 8

