

[54] ELBOW FITTING

[75] Inventors: Bernard J. Gallagher, Mayfield; Erling G. Wennerstrom; Mark R. Houdek, both of Cleveland; Laszlo Aliczky, Solon, all of Ohio

[73] Assignee: Cajon Co., Solon, Ohio

[\*\*] Term: 14 Years

[21] Appl. No.: 23,825

[22] Filed: Mar. 26, 1979

[51] Int. Cl. .... D23-01

[52] U.S. Cl. .... D23/43

[58] Field of Search ..... D23/40-47; 285/39, 179, 219, 220

[56] References Cited

U.S. PATENT DOCUMENTS

D. 56,925	1/1921	Humphrey .....	D23/43
D. 117,590	11/1939	Wilson .....	D23/43
D. 166,653	4/1952	Warren .....	D23/40

D. 229,409	11/1973	Luckenbill .....	D23/43
1,868,037	7/1932	Weatherhead, Jr. ....	285/179 X
2,342,425	2/1944	Parkor .....	285/179 X
2,674,786	4/1954	Crawley .....	285/179 X
2,871,032	1/1959	Woodling .....	285/179 X
3,112,127	11/1963	Campbell .....	285/219 X

Primary Examiner—James R. Largen  
Attorney, Agent, or Firm—Fay & Sharpe

[57] CLAIM

The ornamental design for an elbow fitting, as shown and described.

DESCRIPTION

FIG. 1 is a perspective view taken from the top, front and left side of an elbow fitting showing our new design;

FIG. 2 is a front elevational view thereof, the rear being a mirror image of the front shown;

FIG. 3 is a left side elevational view thereof;

FIG. 4 is a right side elevational view thereof;

FIG. 5 is a top plan view thereof; and,

FIG. 6 is a bottom plan view thereof.

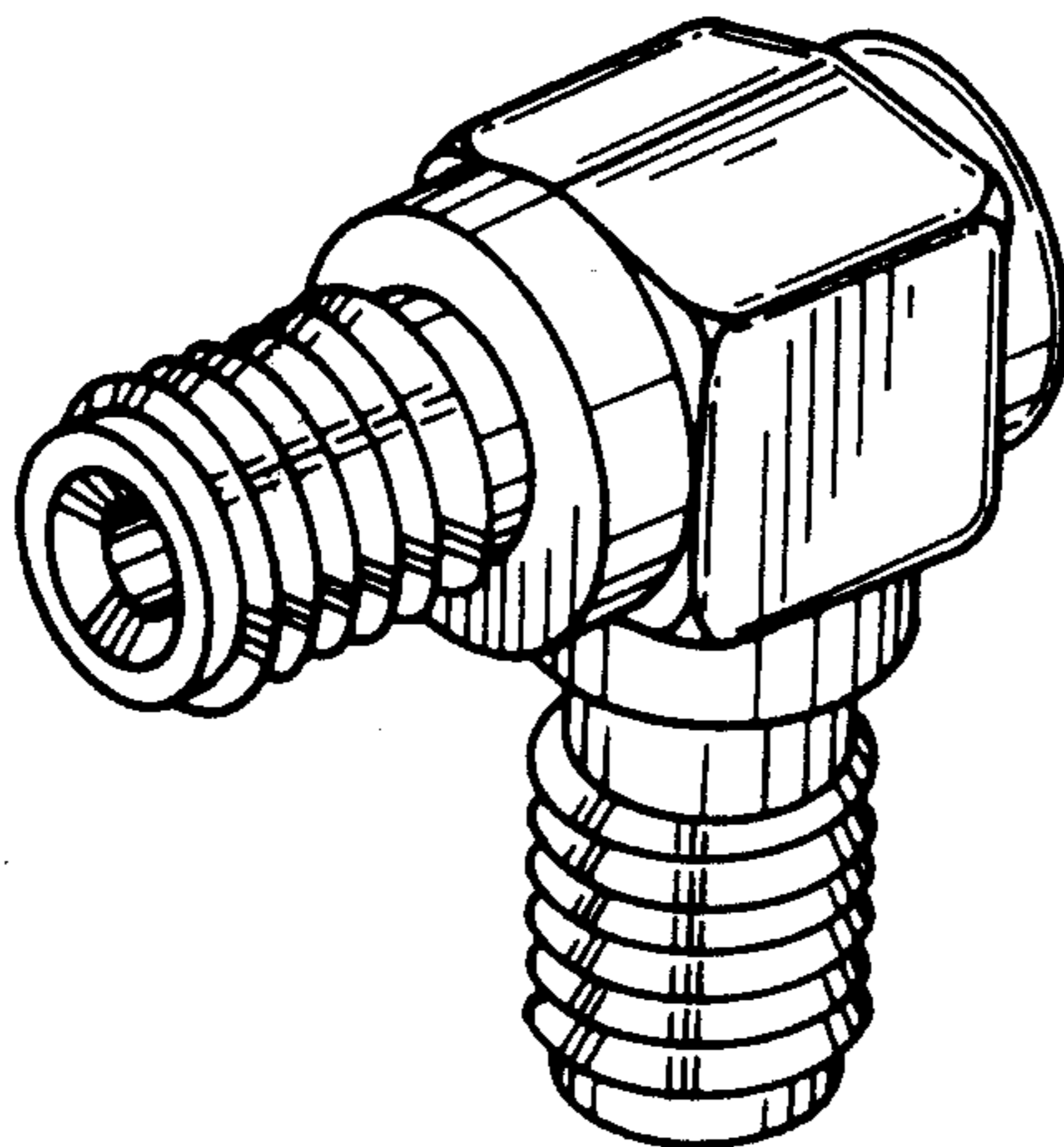


FIG. 1

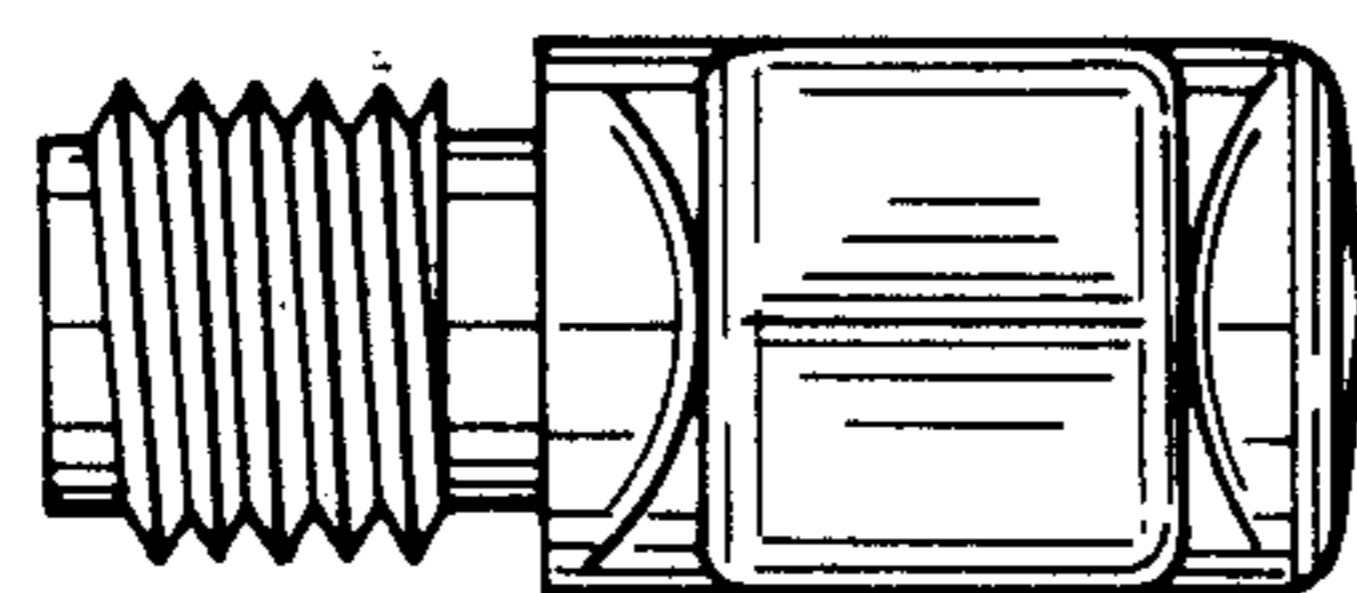
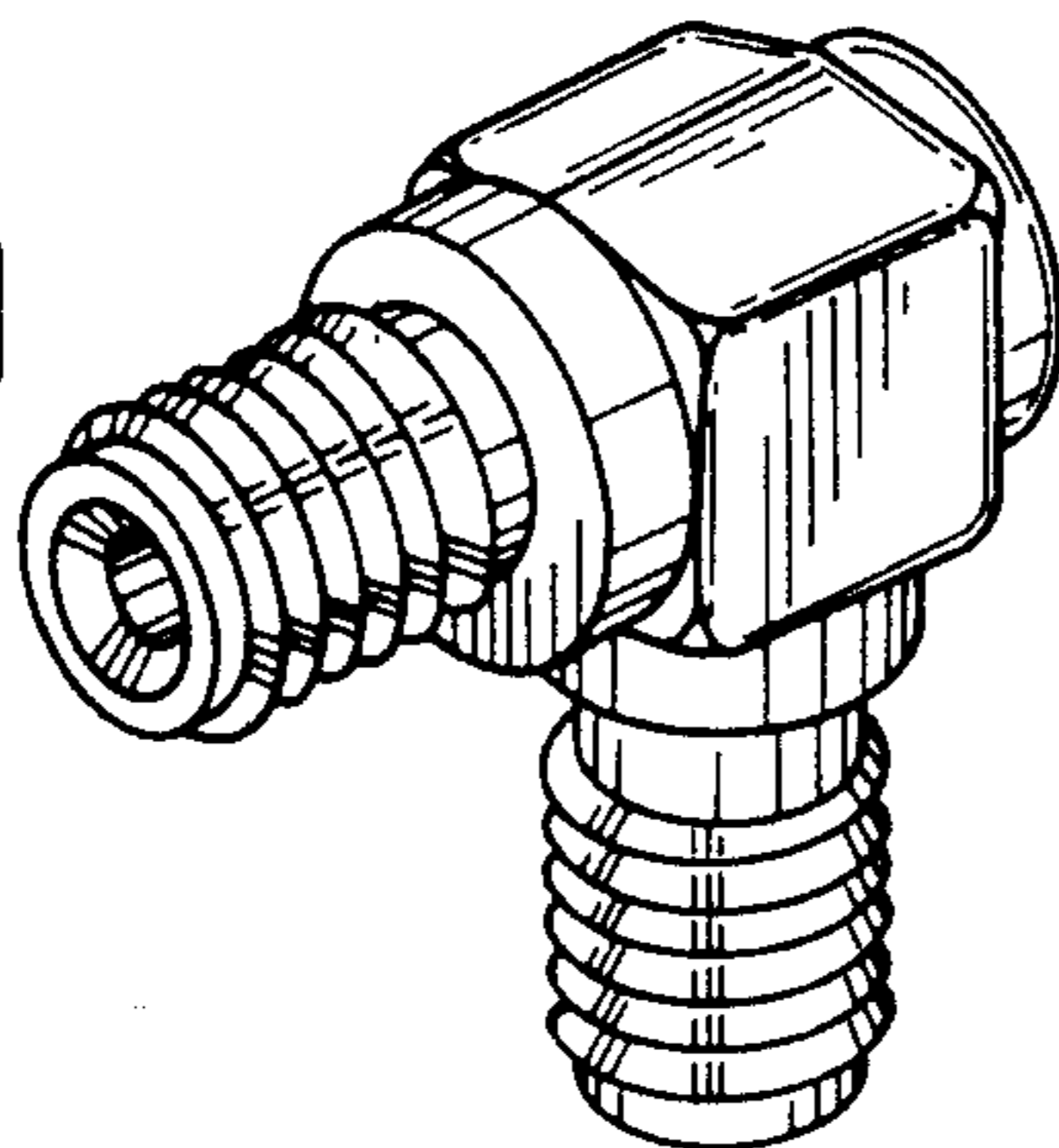


FIG. 5

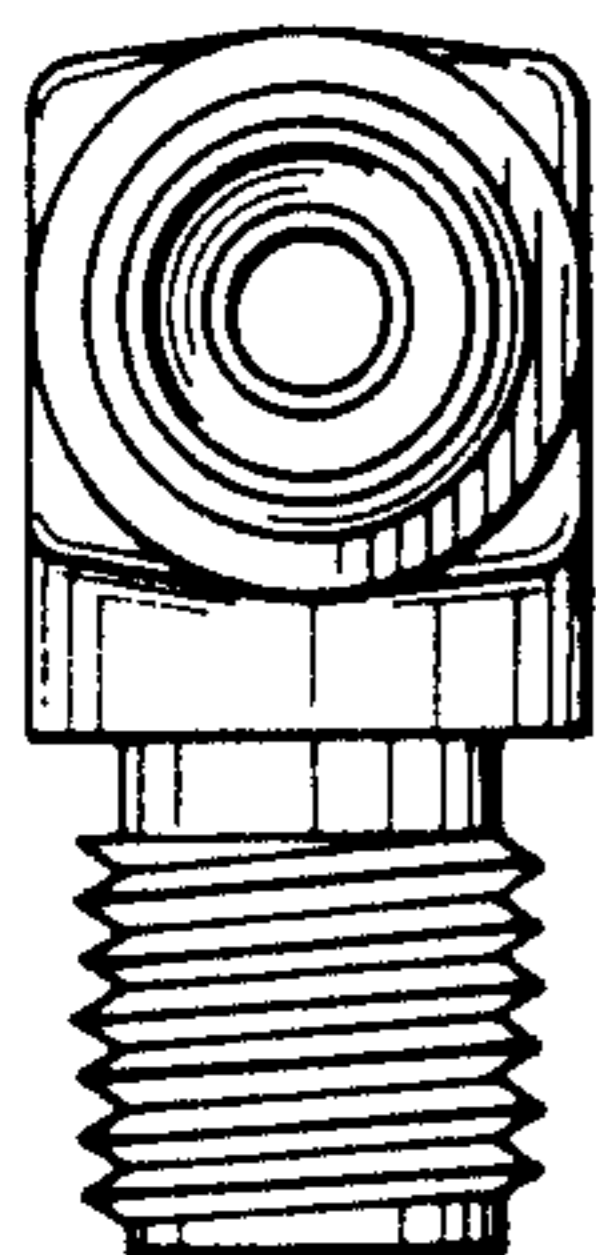


FIG. 3

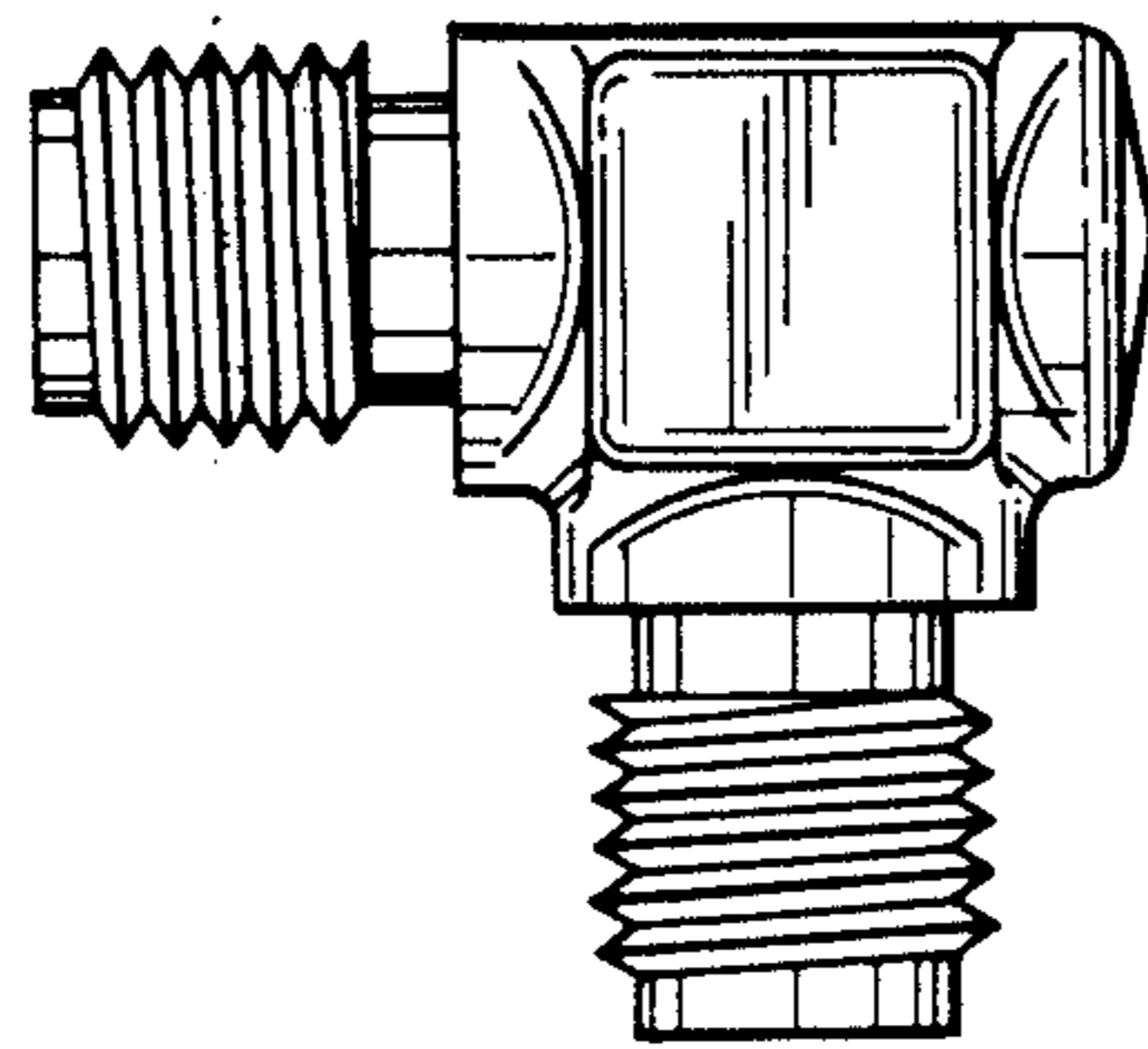


FIG. 2

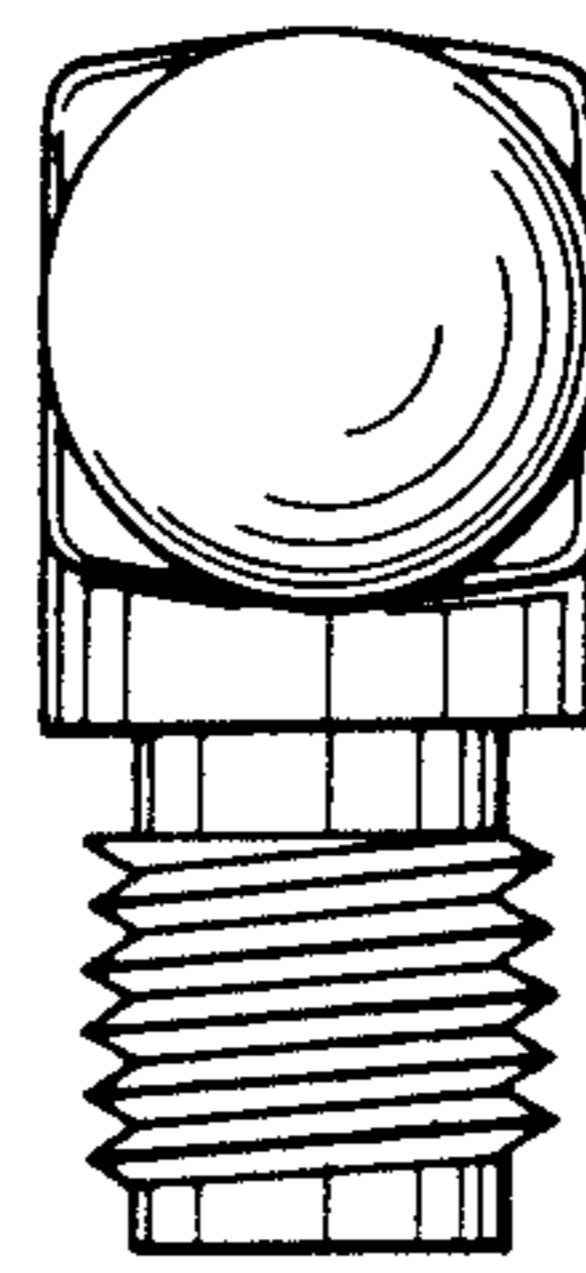


FIG. 4

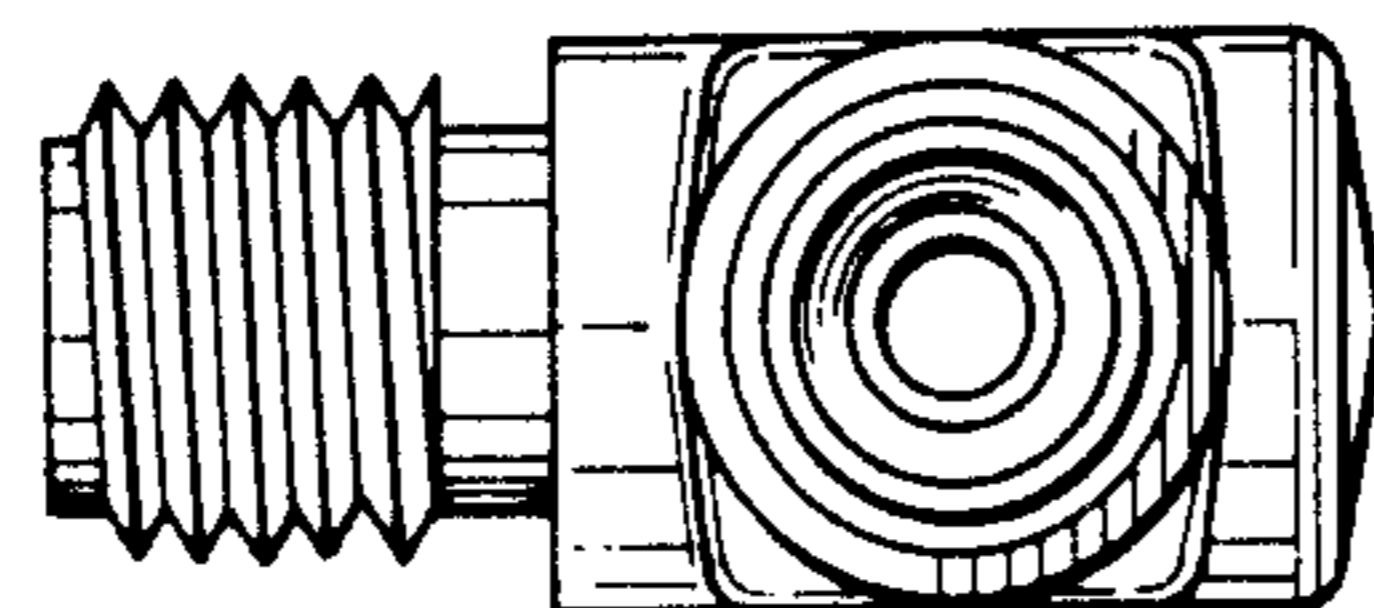


FIG. 6