

[54] **BATHTUB FAUCET UNIT**

[75] Inventors: **Dominic A. Saporito**, Fanwood;  
**Donald M. Genaro**, Haworth, both of  
N.J.

[73] Assignee: **American Standard Inc.**, New York,  
N.Y.

[\*\*] Term: **14 Years**

[21] Appl. No.: **58,633**

[22] Filed: **Jul. 18, 1979**

**Related U.S. Application Data**

[62] Division of Ser. No. 761,157, Jan. 21, 1977.

[51] Int. Cl. .... **D23-01**

[52] U.S. Cl. .... **D23/26**

[58] Field of Search ..... **D23/23-33;**  
4/191, 192; 137/636.4, 801

[56] **References Cited**

**U.S. PATENT DOCUMENTS**

D. 190,711	6/1961	Kohler .....	D23/26
D. 237,613	11/1975	Saporito et al. ....	D23/25
D. 253,799	1/1980	Saporito et al. ....	D23/25

**OTHER PUBLICATIONS**

Domestic Engineering, Feb. 1957, p. 43, top item.  
Domestic Engineering, Sep. 1963, p. 23, top left item.  
Kohler Co. Catalog K56, (e) 1958, inside front cover,  
center right item.  
Montgomery Ward Fall & Winter Catalog, 1975, p. 753,  
item No. 3 & p. 758, item No. 5.

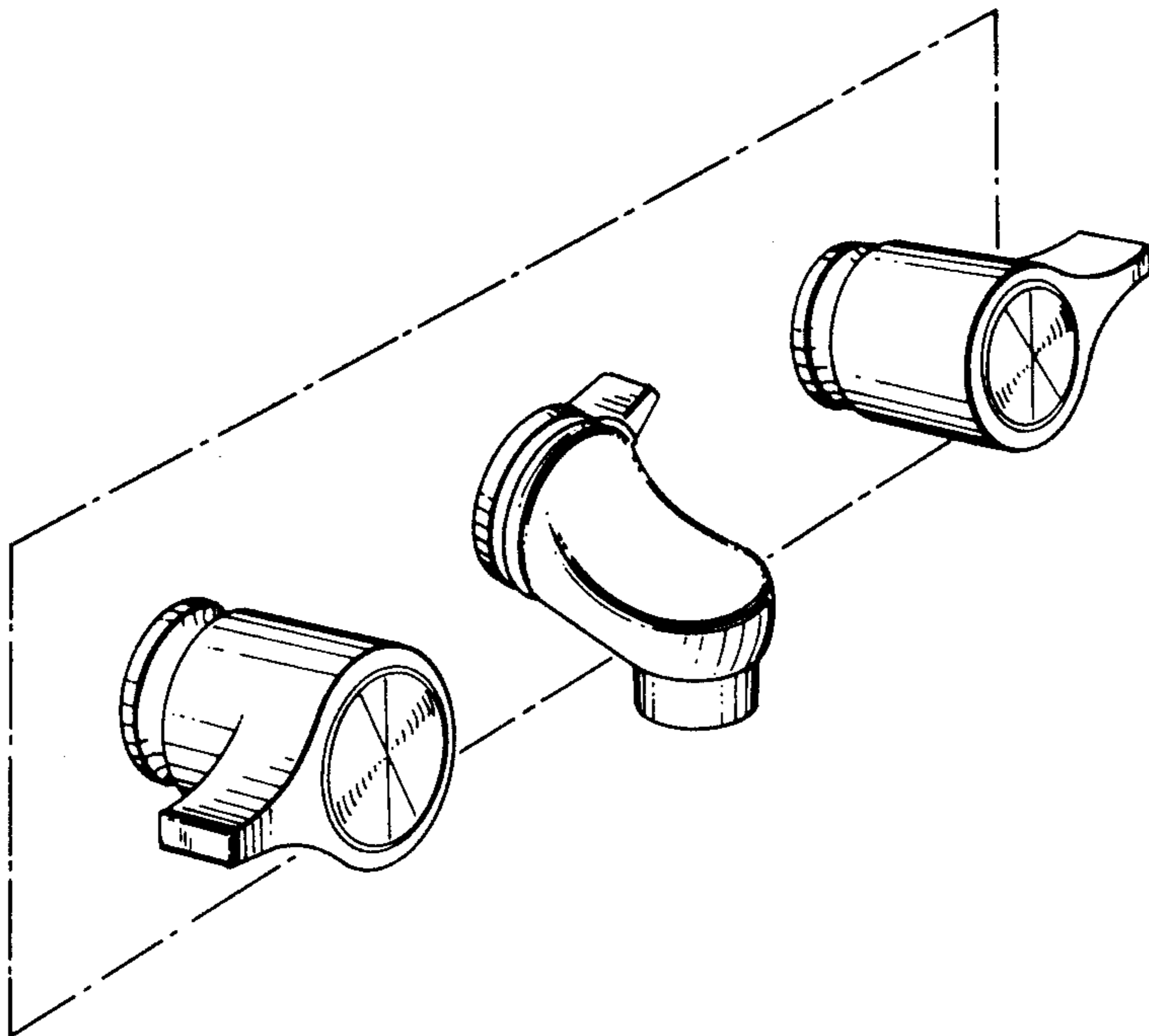
*Primary Examiner*—James R. Largen  
*Attorney, Agent, or Firm*—James J. Salerno, Jr.; Robert  
G. Crooks

[57] **CLAIM**

The ornamental design for a bathtub faucet unit, sub-  
stantially as shown and described.

**DESCRIPTION**

FIG. 1 is a perspective view of a lavatory fitting em-  
bodying our new design.  
FIG. 2 is an elevational view as seen from either side  
thereof;  
FIG. 3 is a front elevational view thereof;  
FIG. 4 is a plan view as seen from the top thereof; and  
FIG. 5 is a plan view as seen from the bottom thereof.  
The broken line representation of a portion of a bath-  
room wall in FIGS. 1 through 5 is for the purpose of  
illustration only.



*FIG. 1*

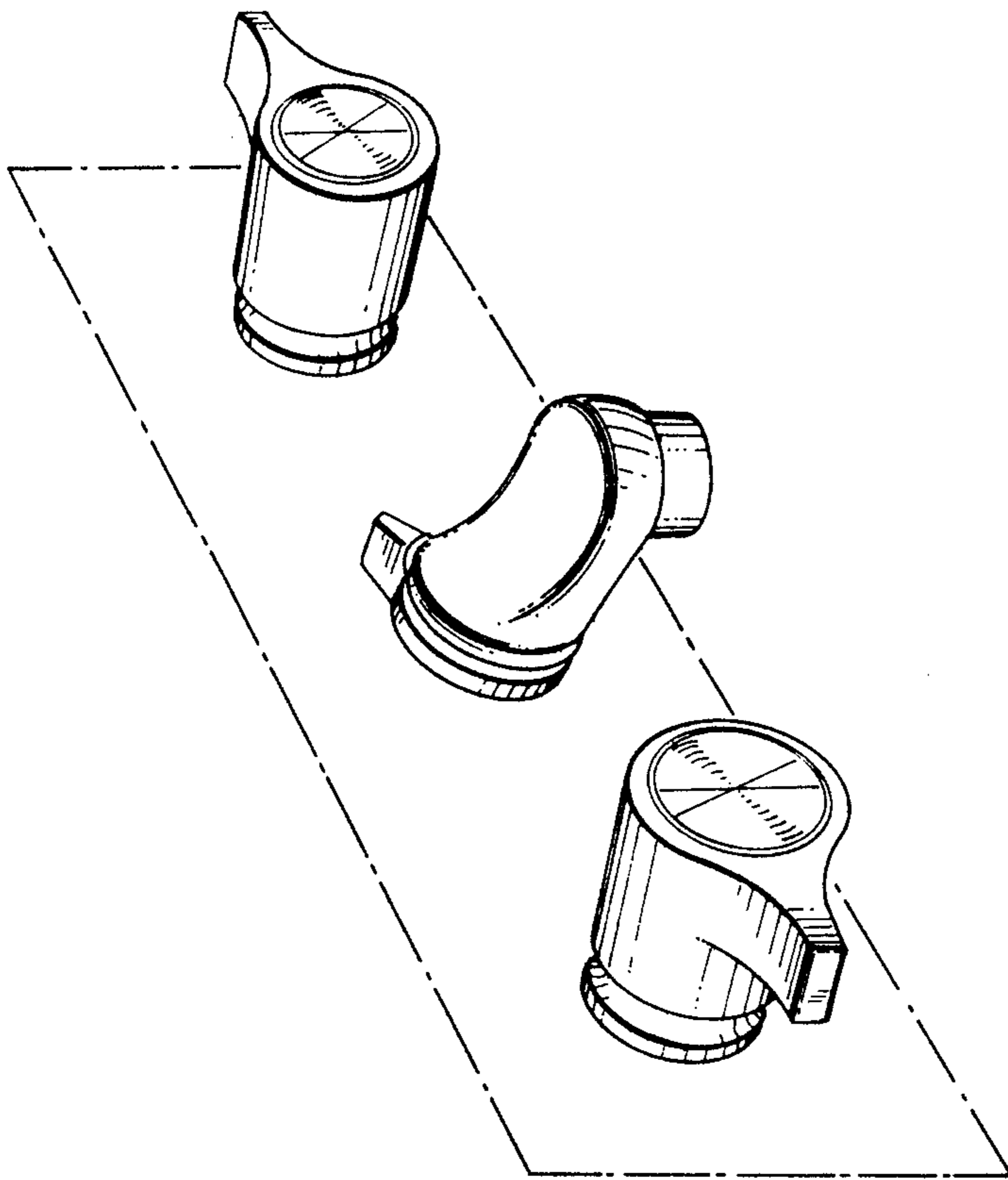


FIG. 2

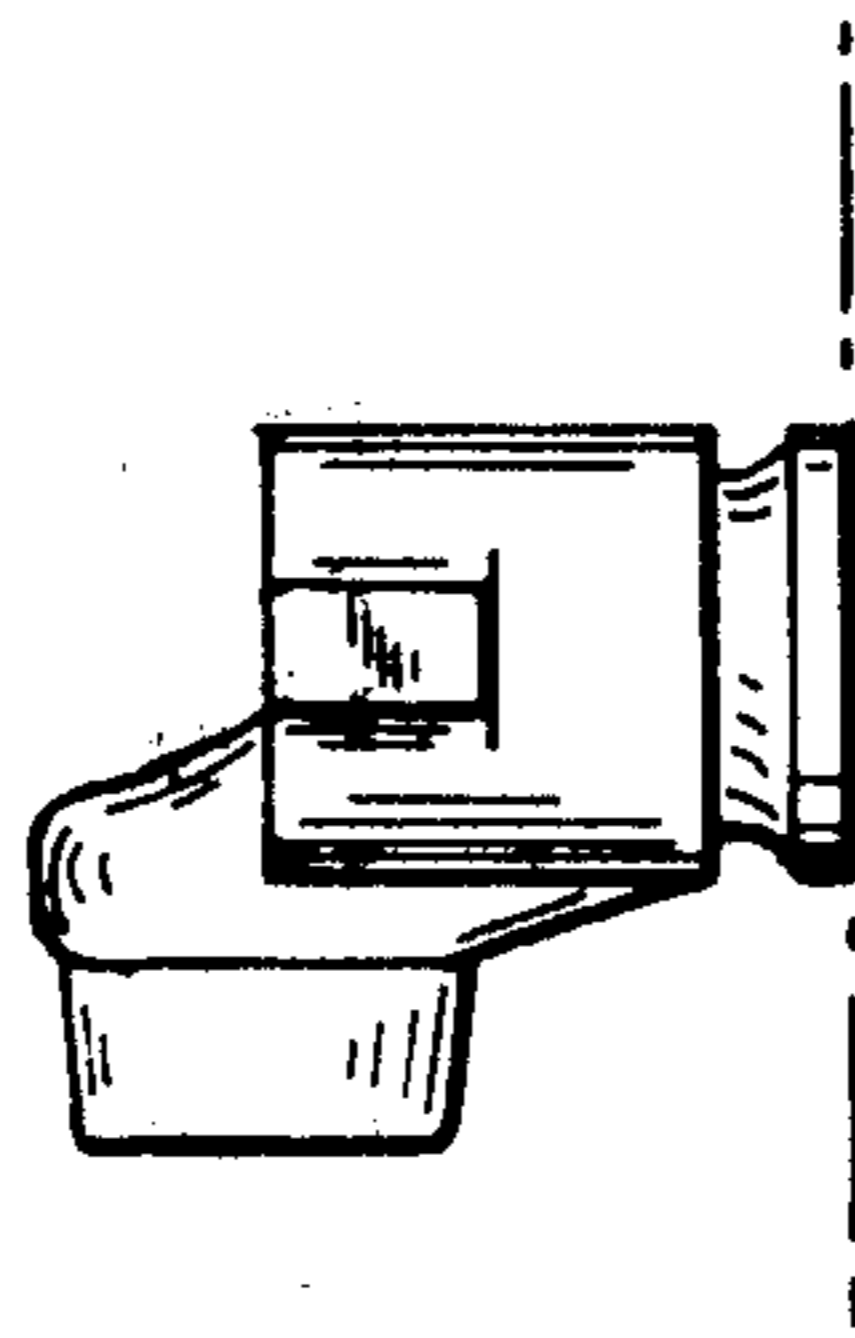


FIG. 3

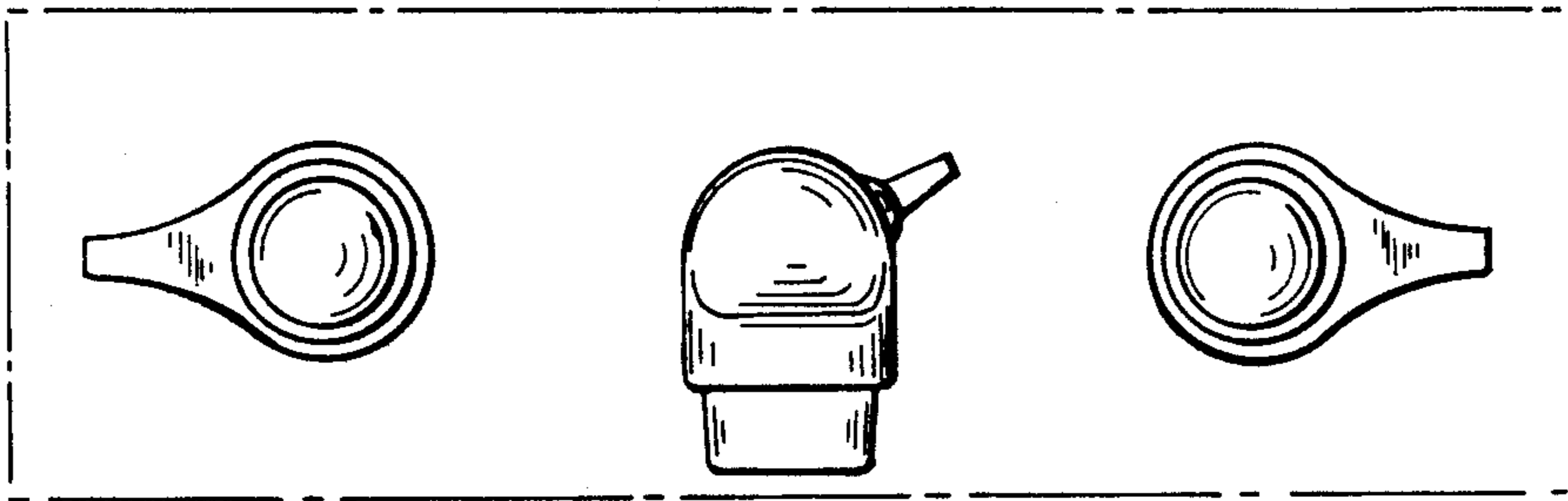


FIG. 4

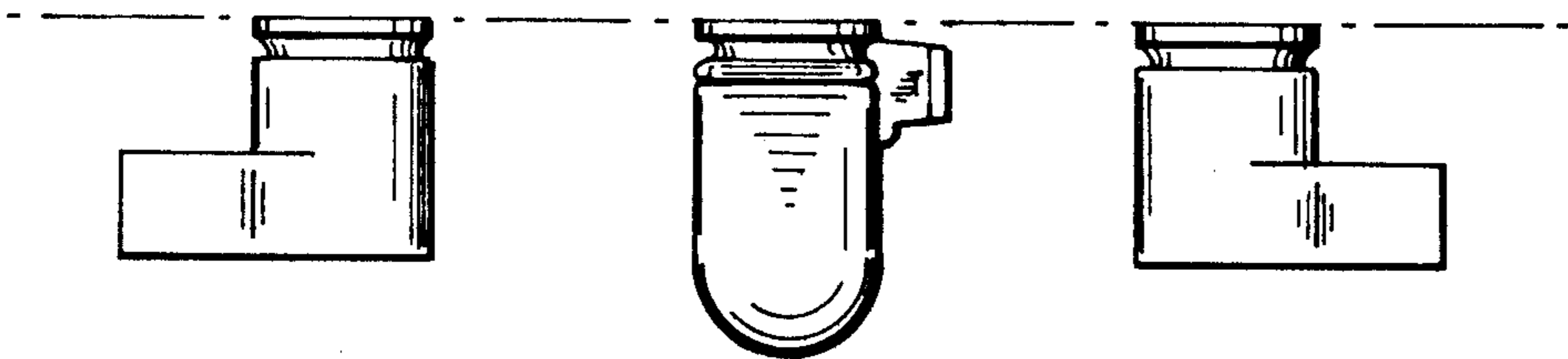


FIG. 5

