

[54] FAUCET OR SIMILAR ARTICLE

[75] Inventors: Dominic A. Saporito, Fanwood;  
Donald M. Genaro, Haworth, both of  
N.J.

[73] Assignee: American Standard Inc., New York,  
N.Y.

[\*\*] Term: 14 Years

[21] Appl. No.: 58,634

[22] Filed: Jul. 18, 1979

Related U.S. Application Data

[62] Division of Ser. No. 761,157, Jan. 21, 1977.

[51] Int. Cl. .... D23-01

[52] U.S. Cl. .... D23/25

[58] Field of Search ..... D23/23-33;  
4/191, 192; 137/636.4, 801

[56] References Cited

U.S. PATENT DOCUMENTS

D. 190,791 6/1961 Kohler ..... D23/26  
D. 237,614 11/1975 Saporito et al. .... D23/25

D. 253,799 1/1980 Saporito et al. .... D23/25

OTHER PUBLICATIONS

Domestic Engineering, Sep. 1963, p. 23, Center-center  
column item.

Domestic Engineering, Nov. 1967, p. 29, "Lavatory  
Centersets", item.

Kohler Co., K56 Catalog, (C)1958, p. 1, top left item.

Montgomery Ward Fall & Winter Catalog 1975, p. 753,  
item No. 3, p. 758, item No. 5.

Primary Examiner—James R. Largen

Attorney, Agent, or Firm—James J. Salerno, Jr.; Robert  
G. Crooks

[57] CLAIM

The ornamental design for a faucet or similar article,  
substantially as shown and described.

DESCRIPTION

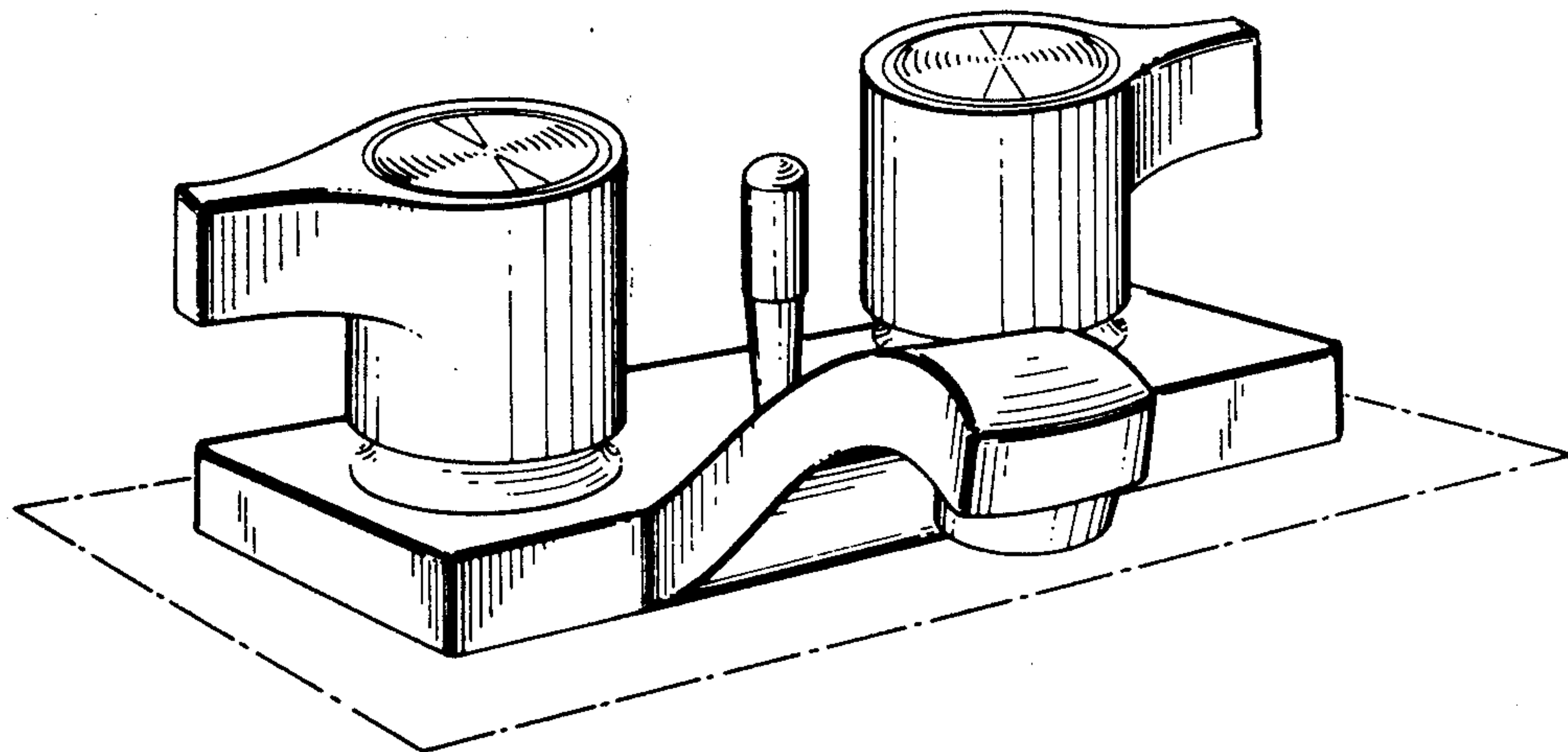
FIG. 1 is a perspective view of a lavatory fitting em-  
bodying our new design.

FIG. 2 is a side elevational view thereof;

FIG. 3 is a top plan view thereof;

FIG. 4 is a front elevational view thereof; and

FIG. 5 is a rear elevational view thereof.



*FIG. 1*

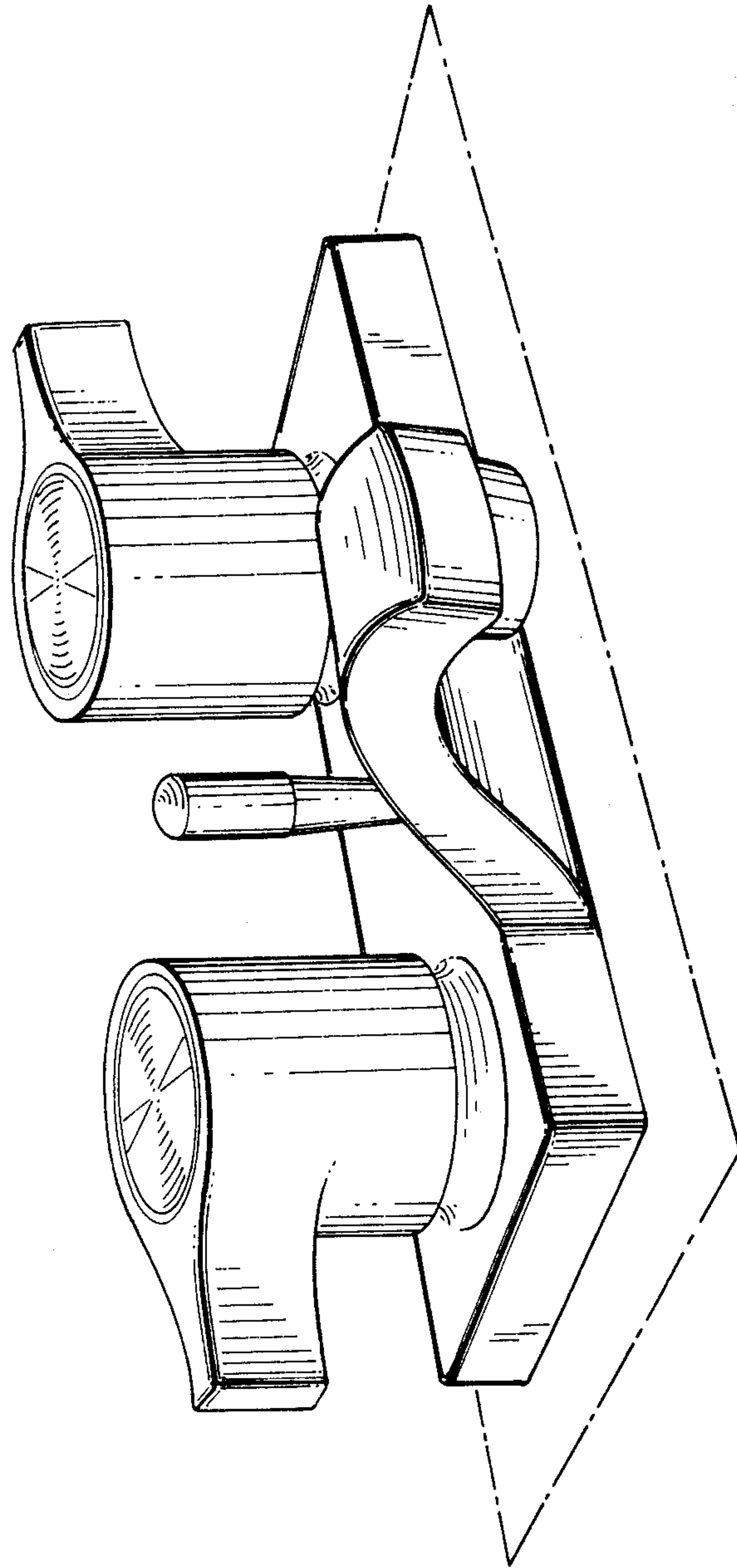


FIG. 2

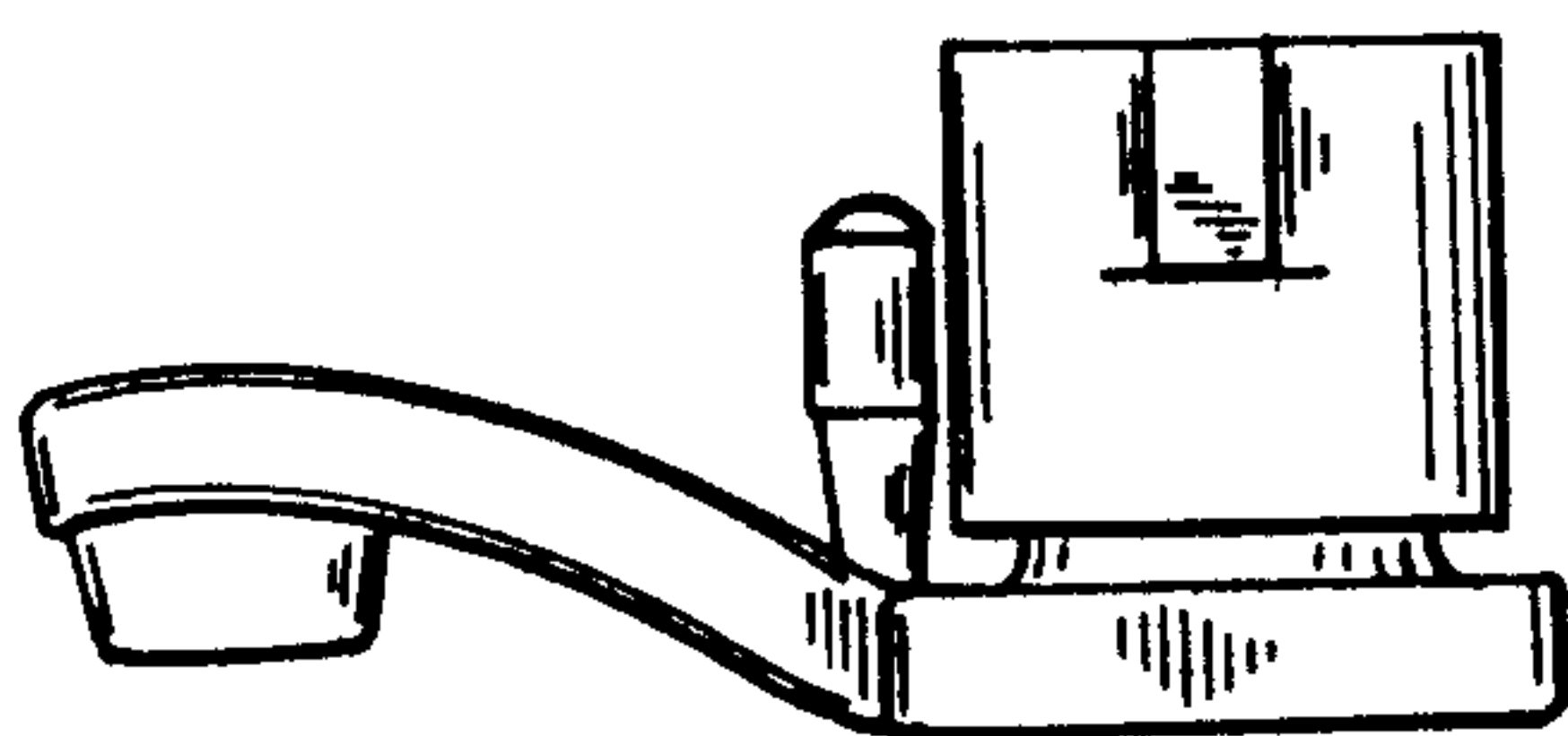


FIG. 3

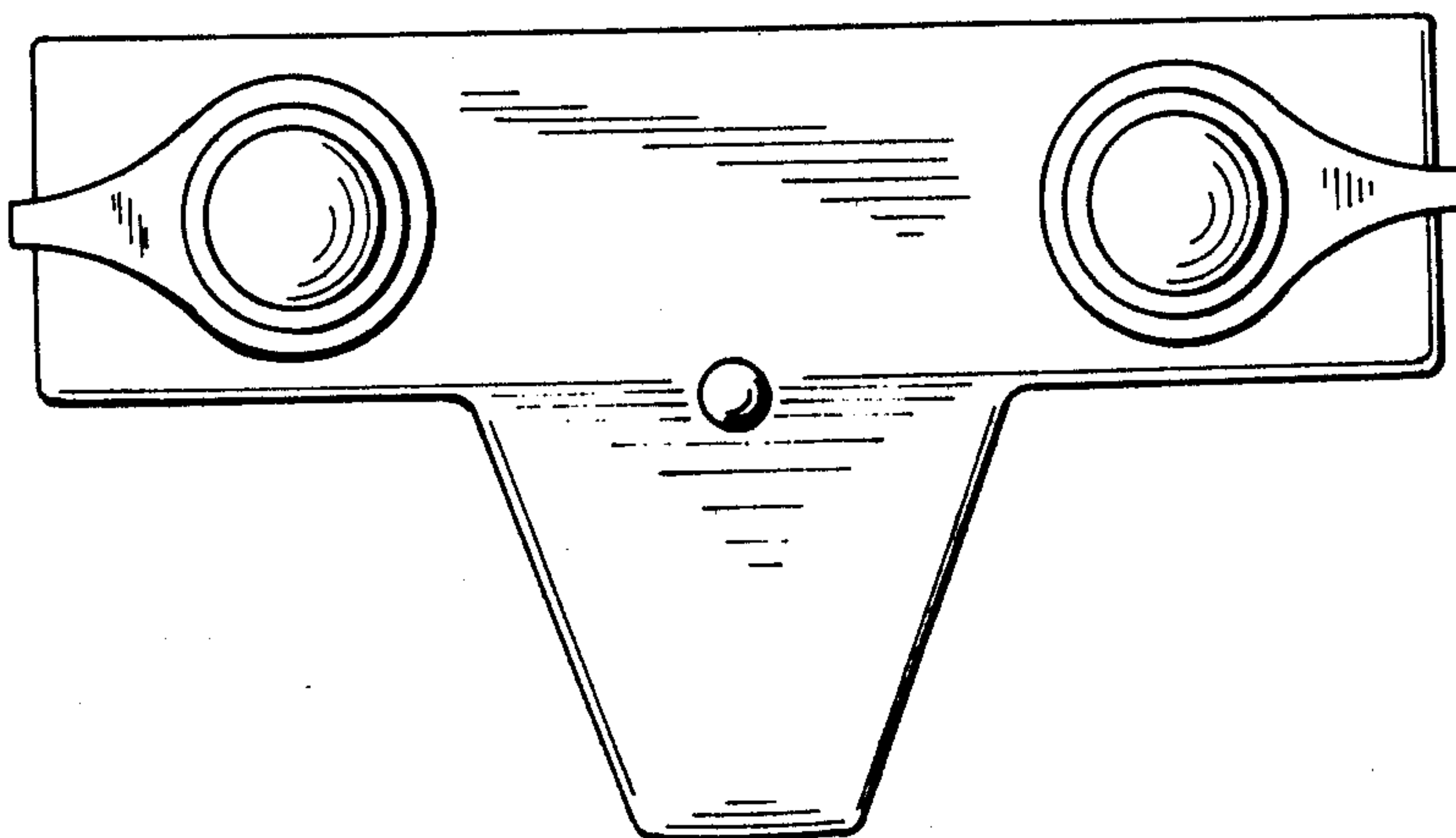


FIG. 4

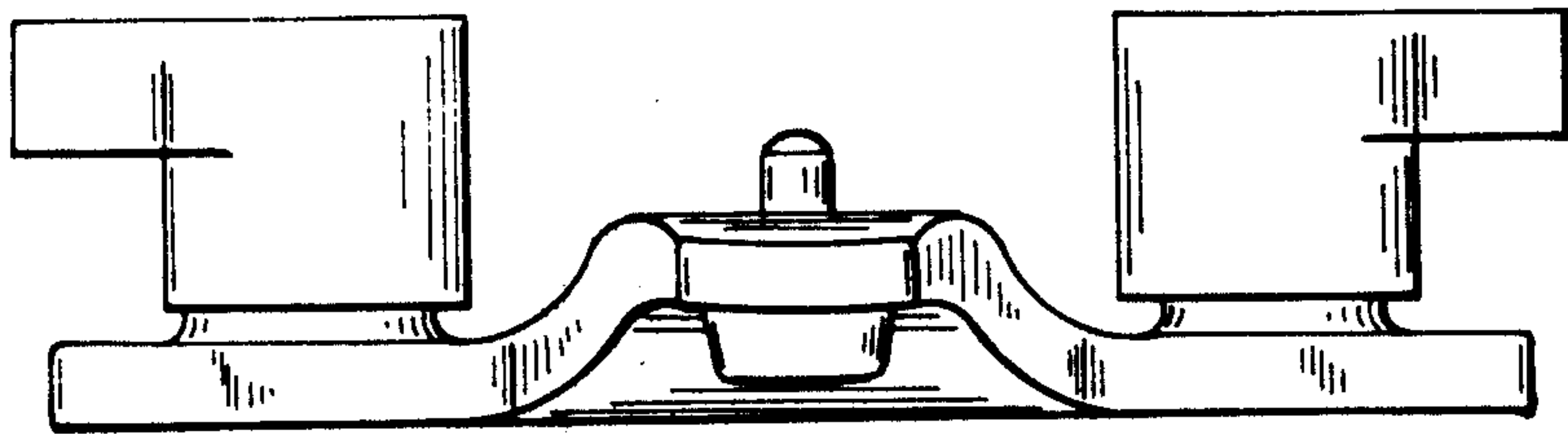


FIG. 5

