

[54] FISHING FLOAT

[76] Inventor: Gino Scola, P.O. Box 608,  
Germiston. 1400, South Africa

[\*\*] Term: 14 Years

[21] Appl. No.: 891,161

[22] Filed: Mar. 28, 1978

[30] Foreign Application Priority Data

Nov. 16, 1977 [ZA] South Africa ..... 1757

[51] Int. Cl. .... D22-05

[52] U.S. Cl. .... D22/30

[58] Field of Search ..... D22/30, 31; 43/43.13

[56]

References Cited

U.S. PATENT DOCUMENTS

D. 221,849	9/1971	Spade .....	43/43.13
1,723,236	8/1929	Hansen .....	43/43.13
3,142,929	8/1964	Killilea .....	43/43.13
3,760,762	9/1973	Spongberg .....	43/43.13

Primary Examiner—Sam Rosen  
Attorney, Agent, or Firm—Robert Osann

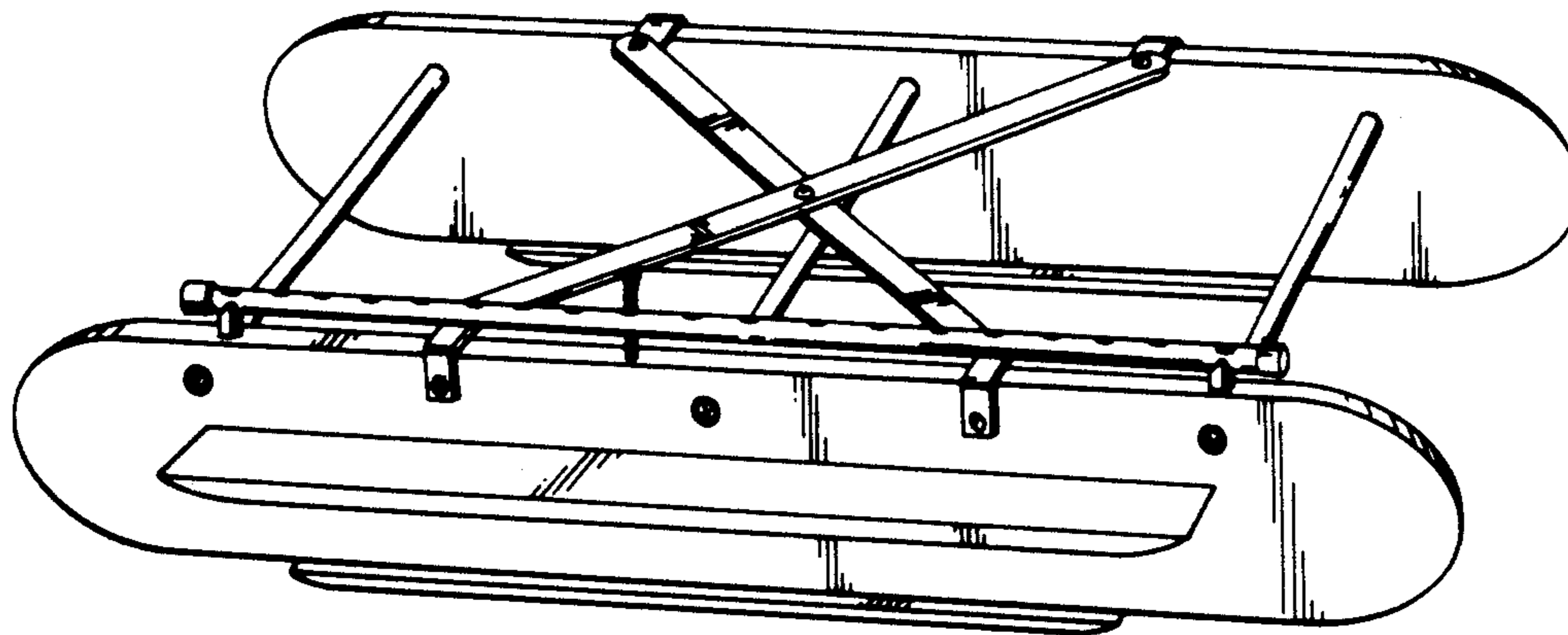
[57]

CLAIM

The ornamental design for a fishing float, substantially as shown and described.

DESCRIPTION

FIG. 1 is a perspective view of a fishing float showing my new design;  
FIG. 2 is a bottom plan view thereof;  
FIG. 3 is a side elevational view thereof with the view being from the side opposite of FIG. 1; and  
FIG. 4 is a front elevational view thereof with the rear view being a mirror image.



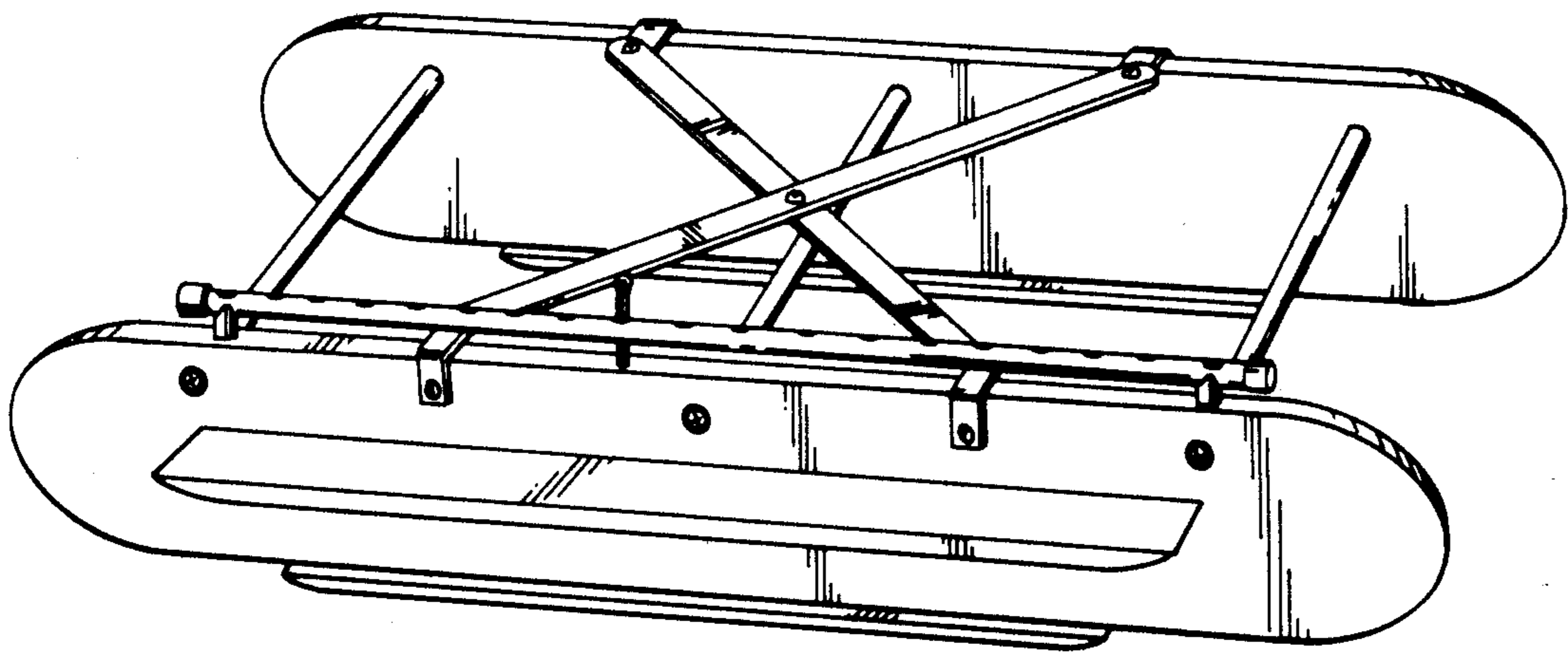


FIG. 1

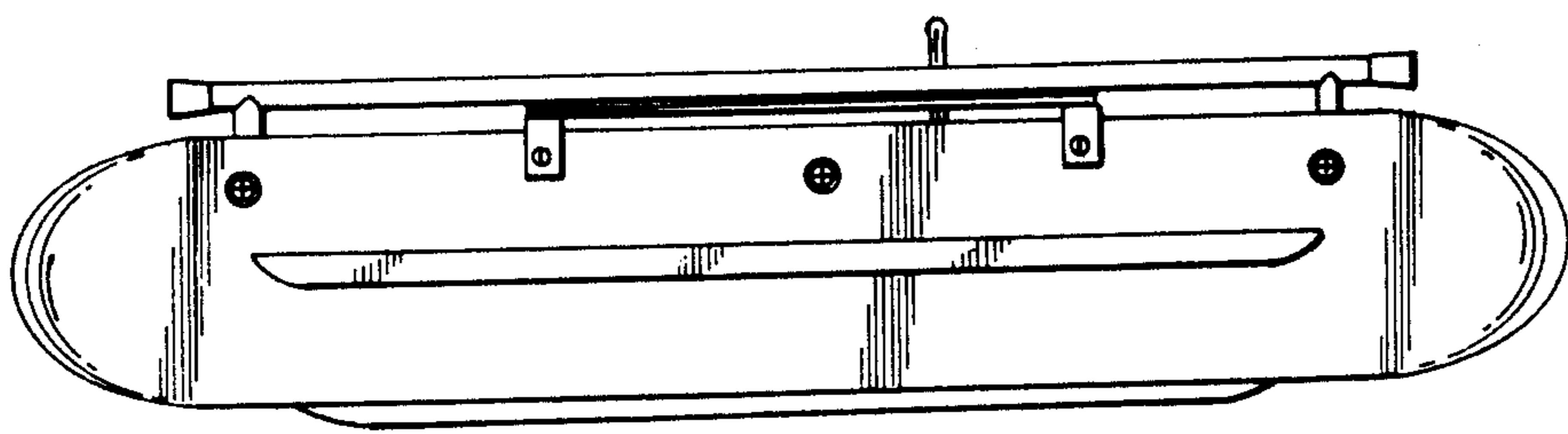


FIG. 3

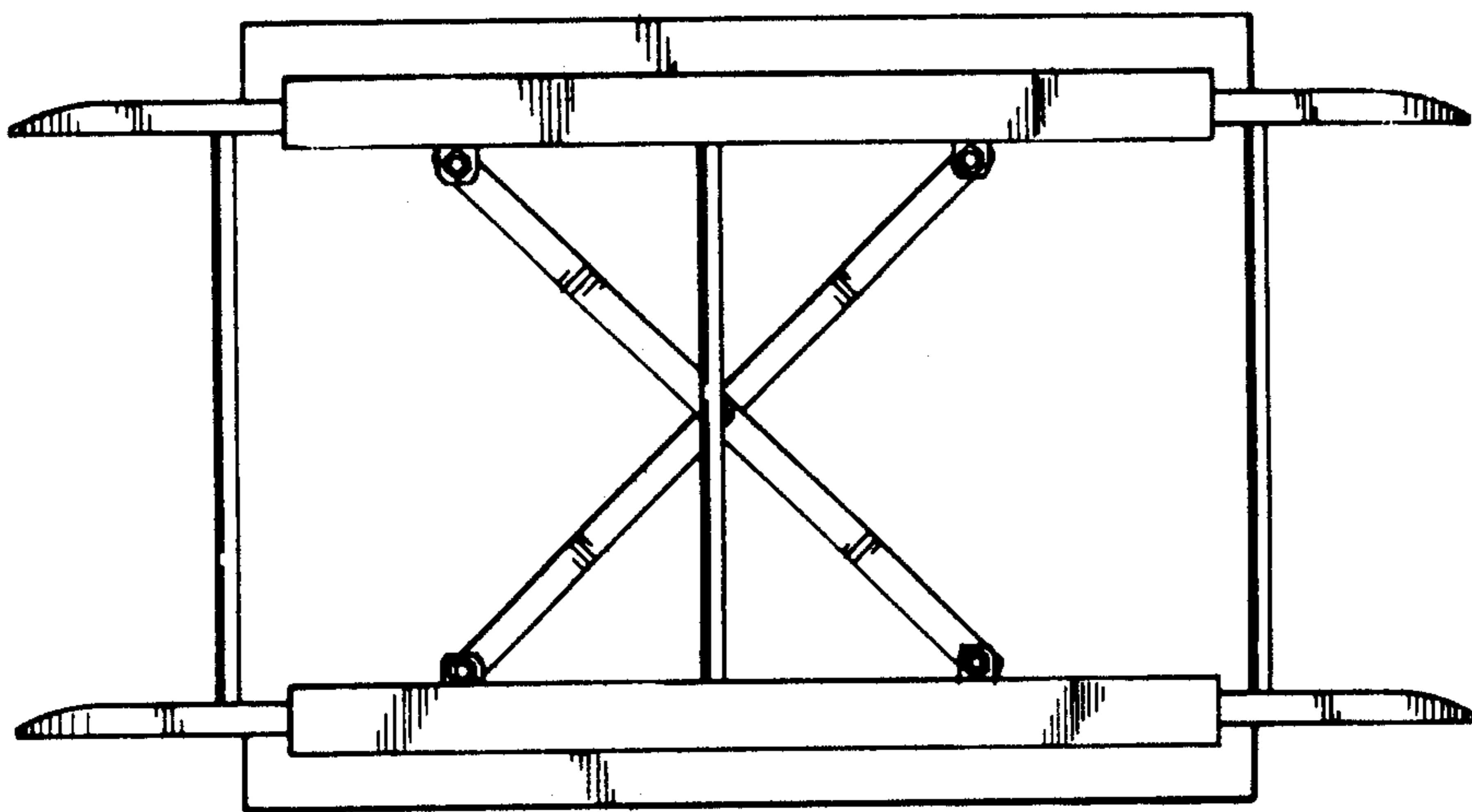


FIG. 2

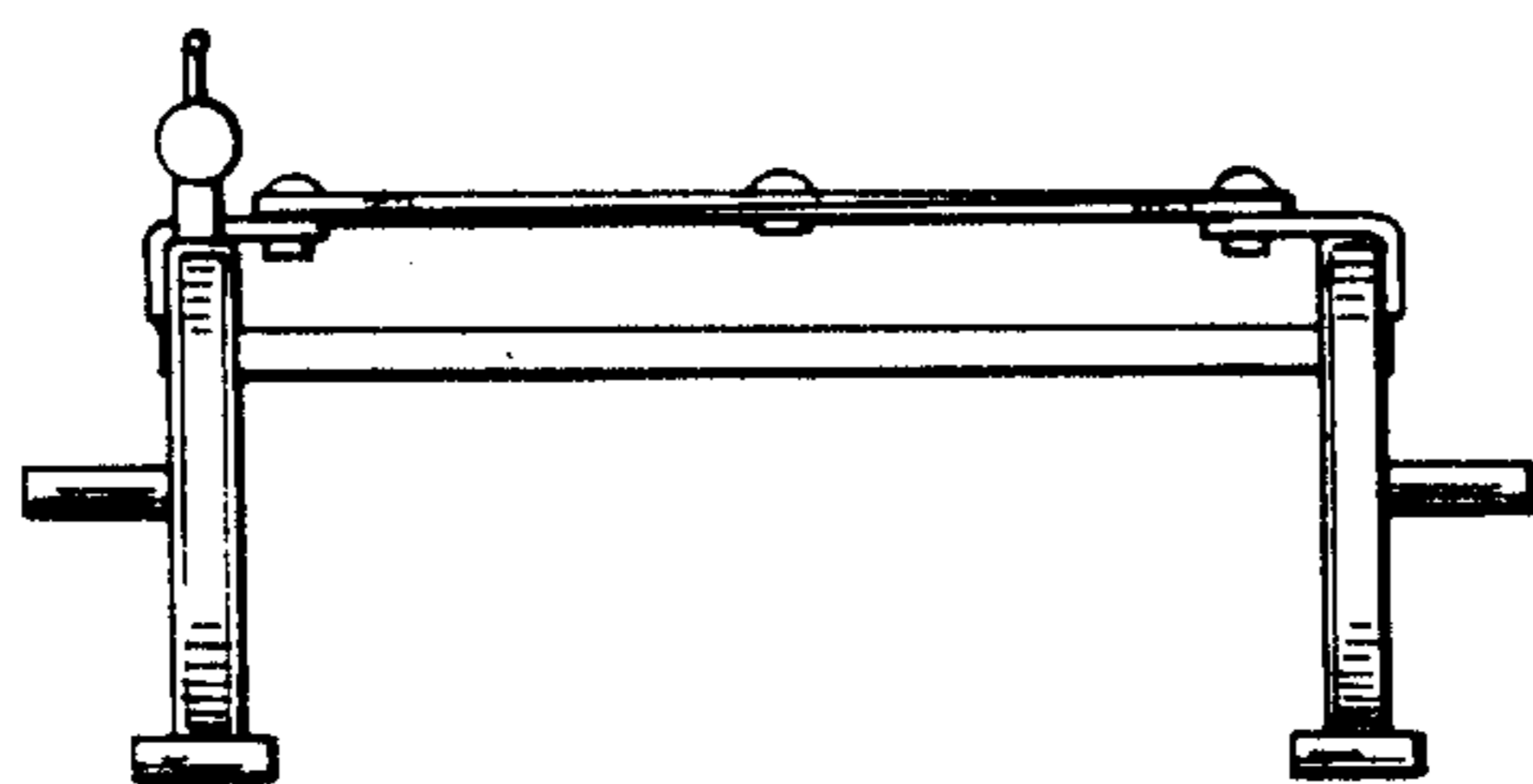


FIG. 4