

[54] EXERCISE BENCH

[76] Inventor: William F. Irvine, 983 Rangeview Rd., Mississauga, Ontario, Canada, L5E 1H2

[\*\*] Term: 14 Years

[21] Appl. No.: 34,990

[22] Filed: May 1, 1979

[30] Foreign Application Priority Data

Nov. 8, 1978 [CA] Canada ..... 0811789

[51] Int. Cl. .... D21-02

[52] U.S. Cl. .... D21/191

[58] Field of Search ..... D21/191, 193, 195, 196, D21/197, 198, 199; 272/112, 67, 68, 116, 118, 125, 126, 134, 141, 144

[56]

References Cited

PUBLICATIONS

Marcy Catalog, 1970, p. 19, Bench at bottom of page. York Barbell Co. brochure, 8-1970, 3-in-1, Uni-Built Bench.

Billard Barbell Catalog, 1978, Model ED2 Deluxe Bench.

Diversified Products Cat., "Payskal Fitness & Leisure Time Products", 1978, #11-0170 Standard Incline Press Bench.

Primary Examiner—Charles A. Rademaker

Attorney, Agent, or Firm—Moss, Bensette, Thompson, Squires

[57]

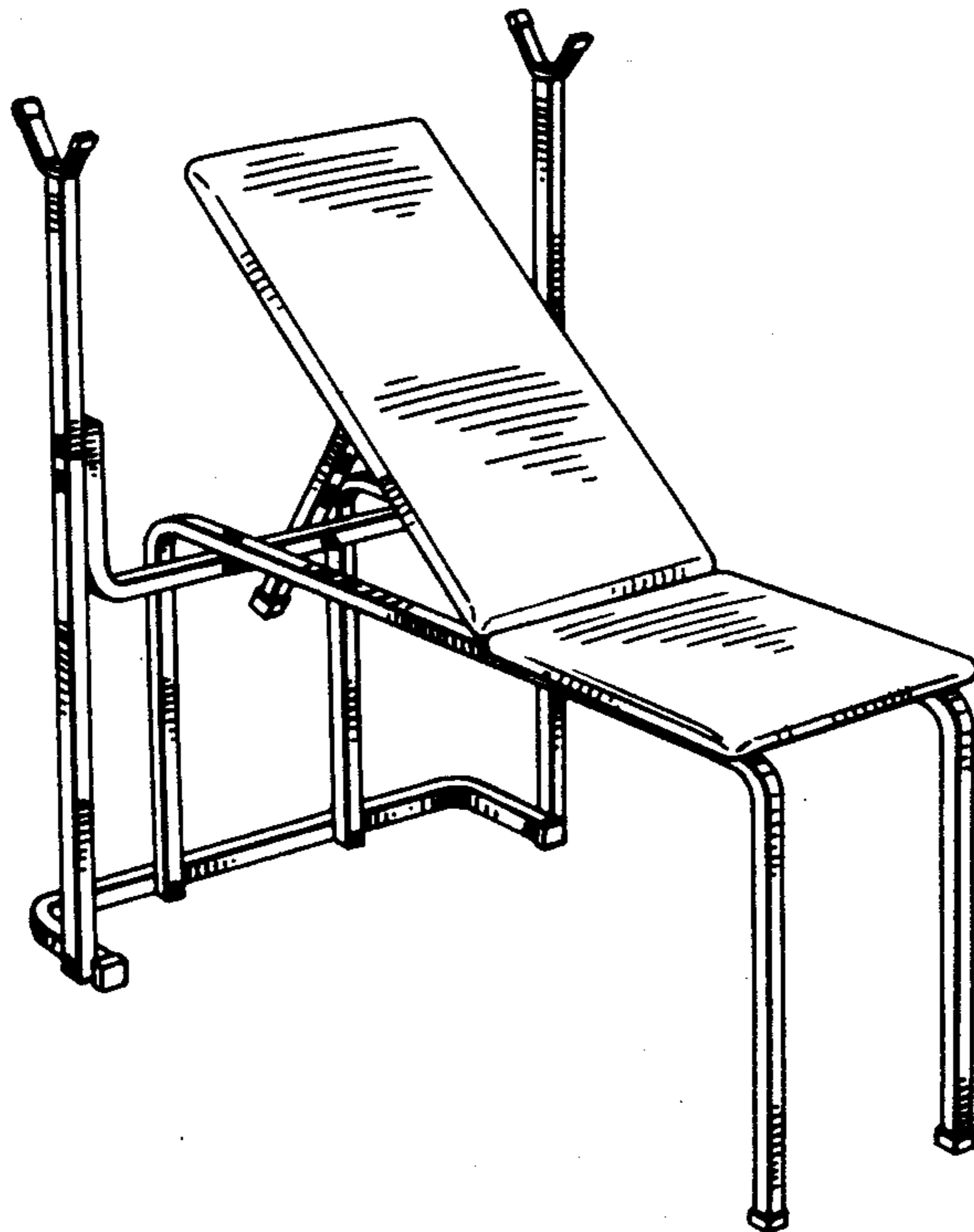
CLAIM

The ornamental design for an exercise bench, as shown.

DESCRIPTION

FIG. 1 is a top perspective view of an exercise bench showing my new design; and

FIG. 2 is a bottom perspective view thereof.



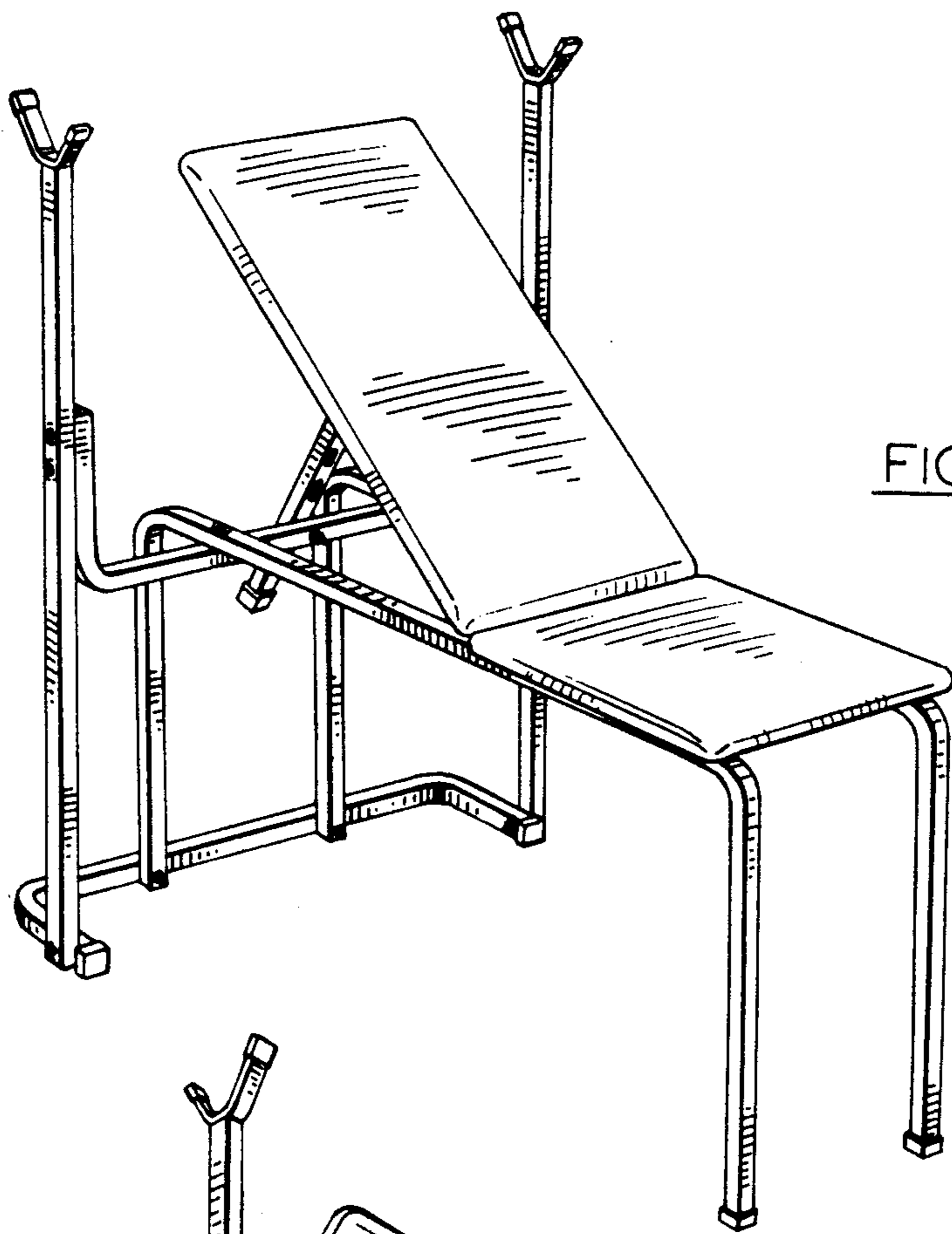


FIG. 1

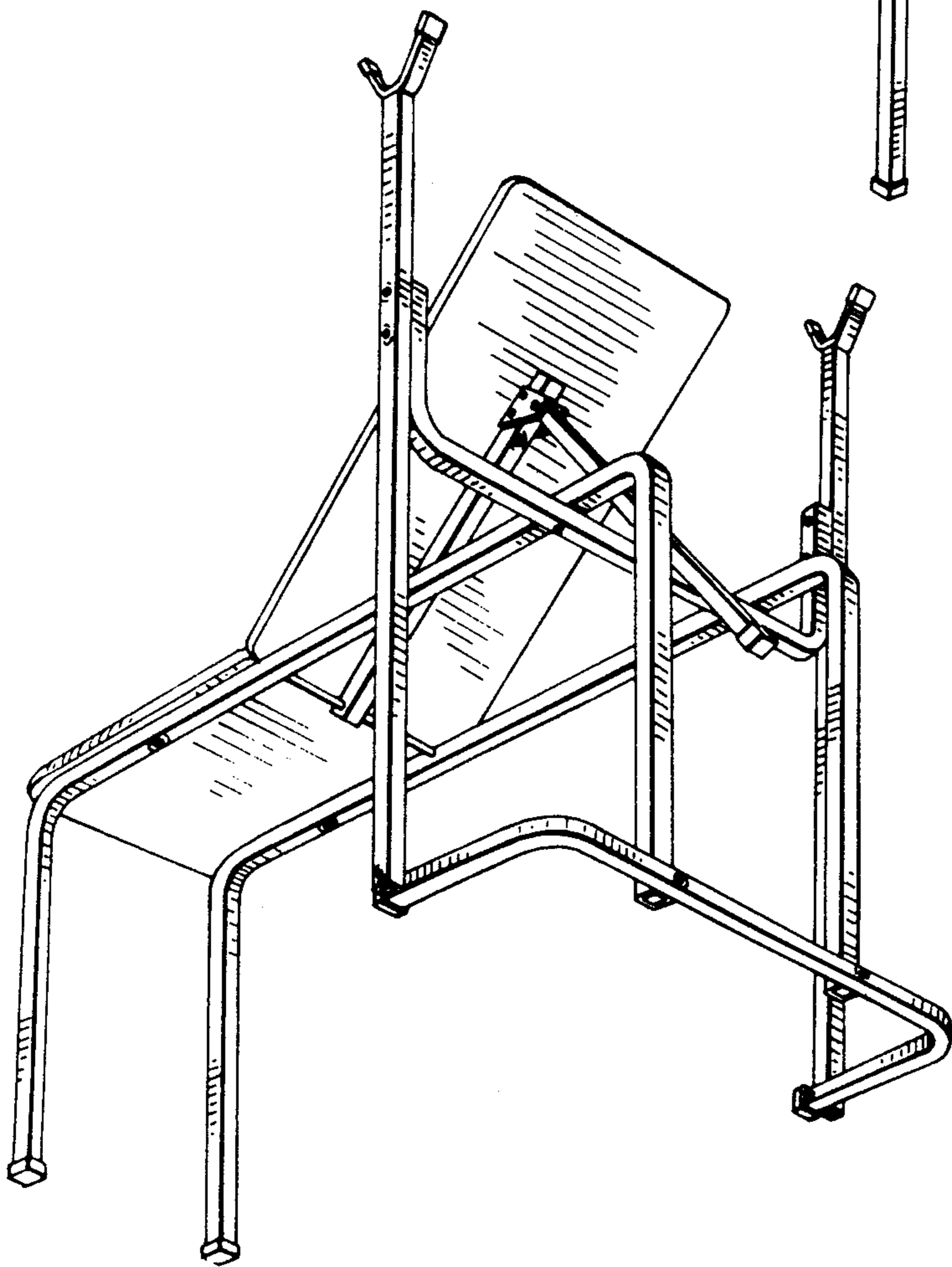


FIG. 2