

[54] TOY TOW TRUCK

[75] Inventor: Donald H. Samuels, Warwick, R.I.

[73] Assignee: Hasbro Industries, Inc., Pawtucket, R.I.

[**] Term: 14 Years

[21] Appl. No.: 13,793

[22] Filed: Feb. 21, 1979

[51] Int. Cl. D21-01

[52] U.S. Cl. D21/139

[58] Field of Search D21/71, 76, 78, 79, D21/128, 134, 136, 137, 140, 139; 46/201, 202, 222

[56] References Cited

U.S. PATENT DOCUMENTS

D. 230,414 2/1974 Salmon et al. D21/134
D. 249,576 9/1978 Dunbar D21/134

OTHER PUBLICATIONS

Montgomery Wards 1976 Xmas Catalog, p. 391, item #19 "Scooper".

Primary Examiner—Charles A. Rademaker

[57] CLAIM

The ornamental design for a toy tow truck, as shown and described.

DESCRIPTION

FIG. 1 is a right side elevational view of a toy tow truck showing my new design;

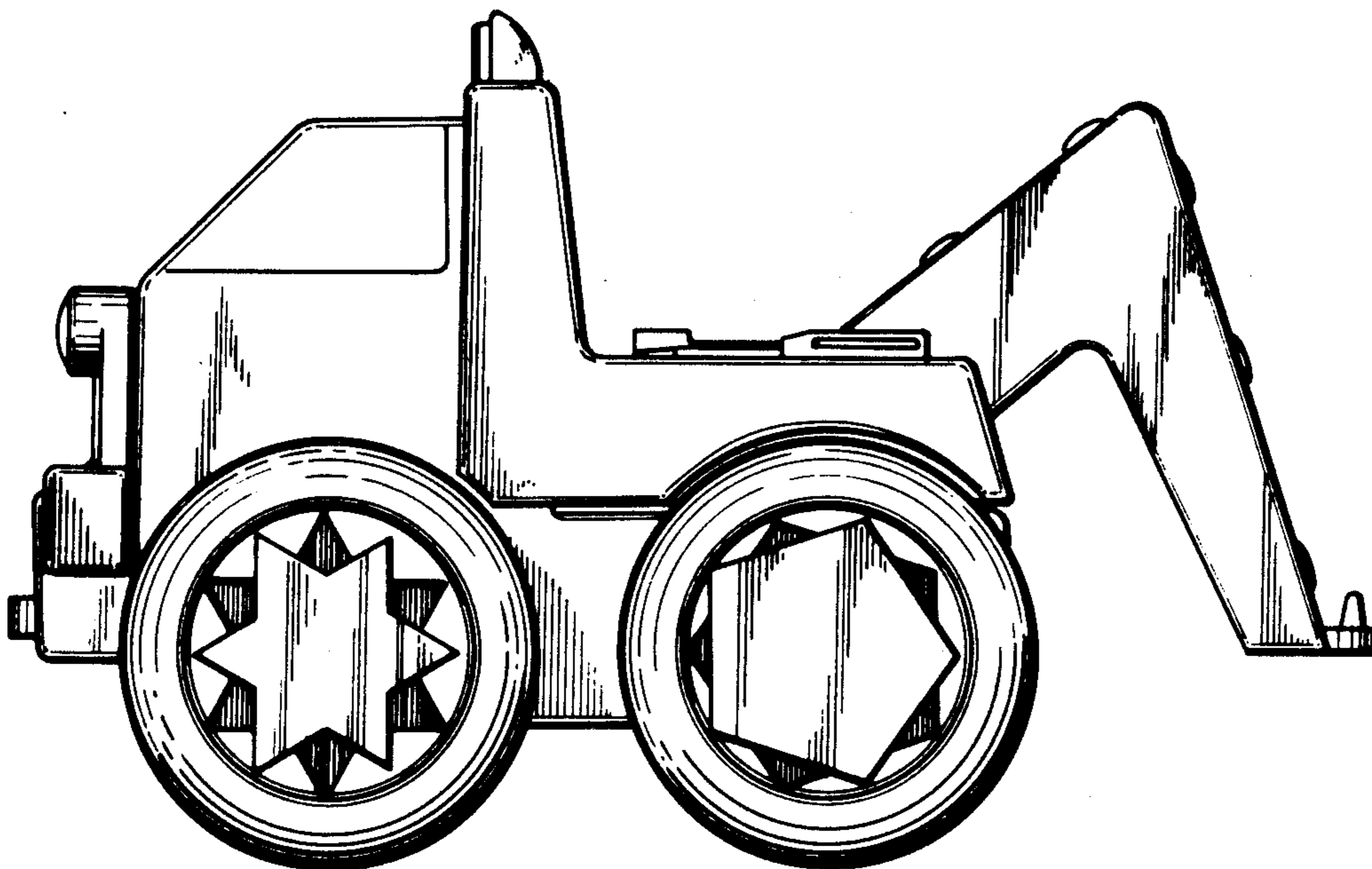
FIG. 2 is a left side elevational view thereof;

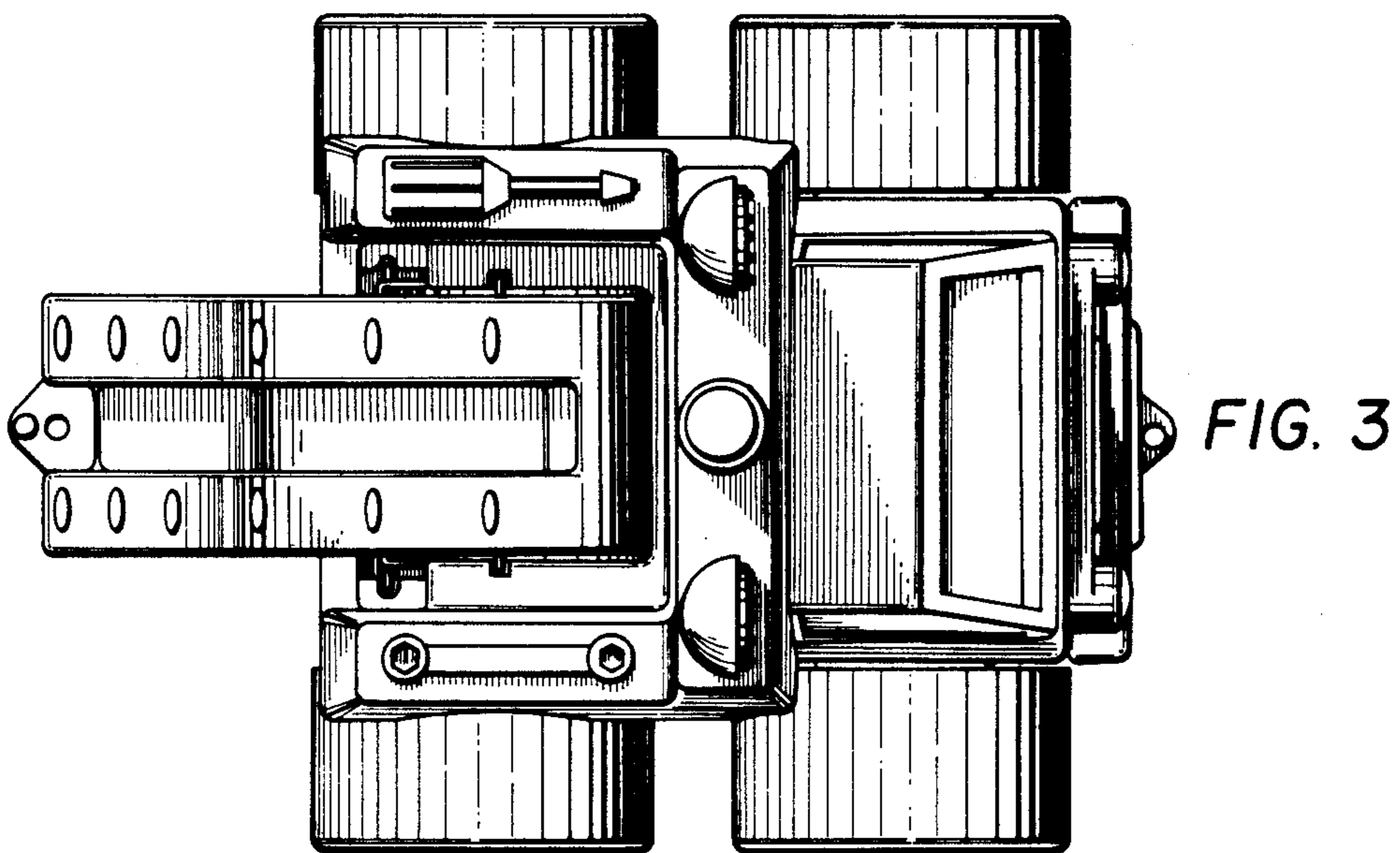
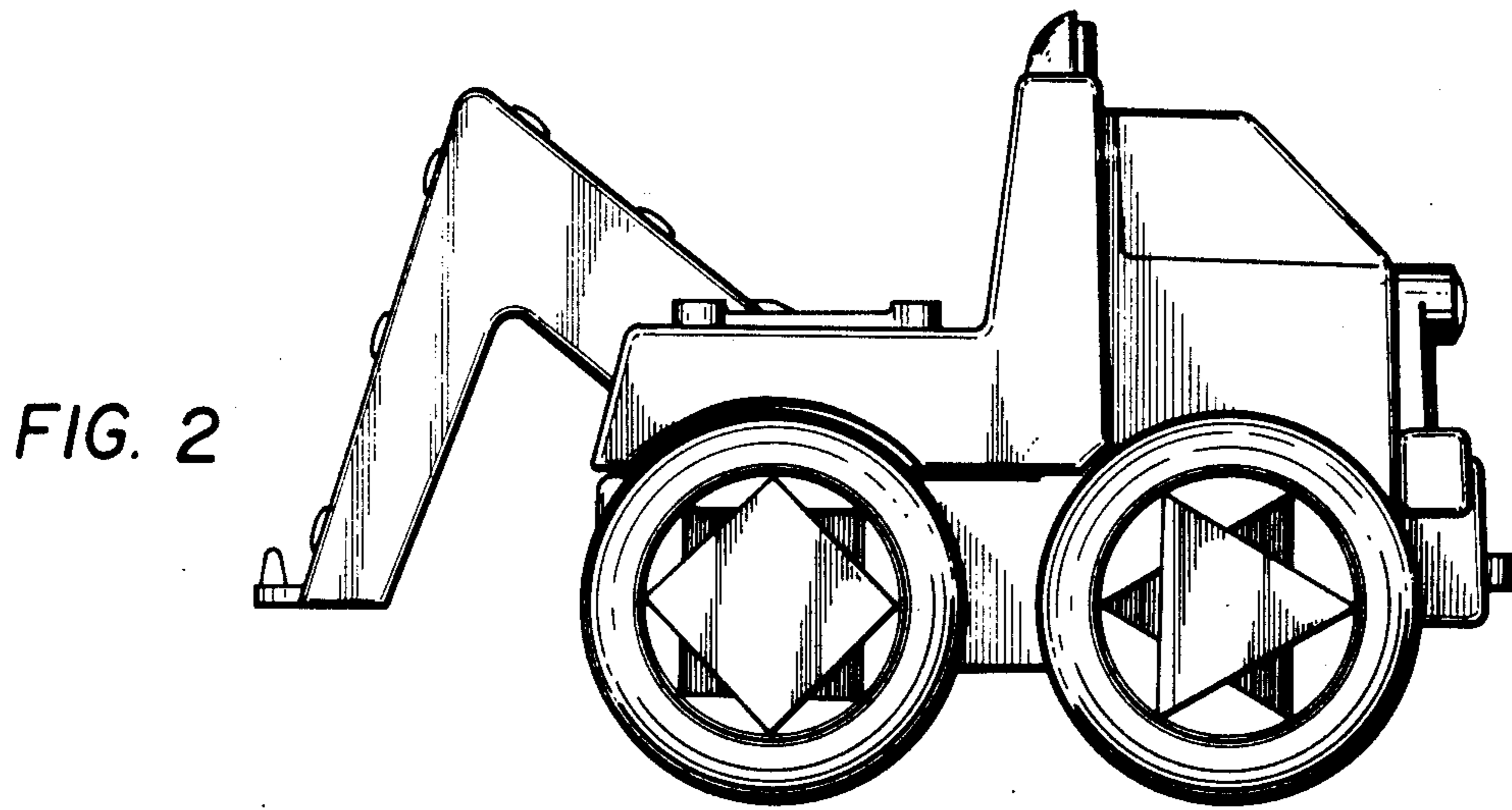
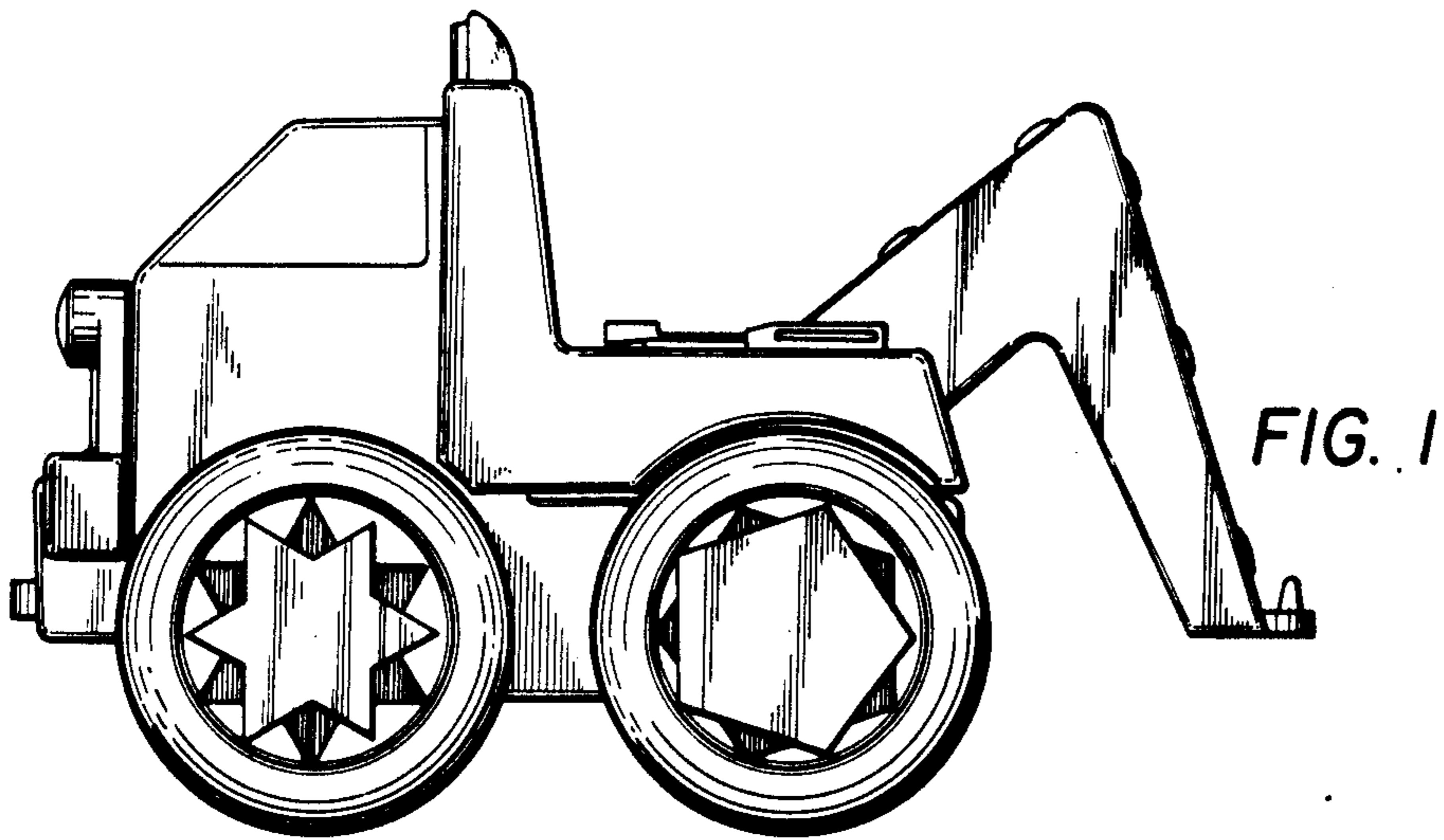
FIG. 3 is a top plan view thereof;

FIG. 4 is a bottom plan view thereof;

FIG. 5 is a front elevational view thereof; and

FIG. 6 is a rear elevational view there.





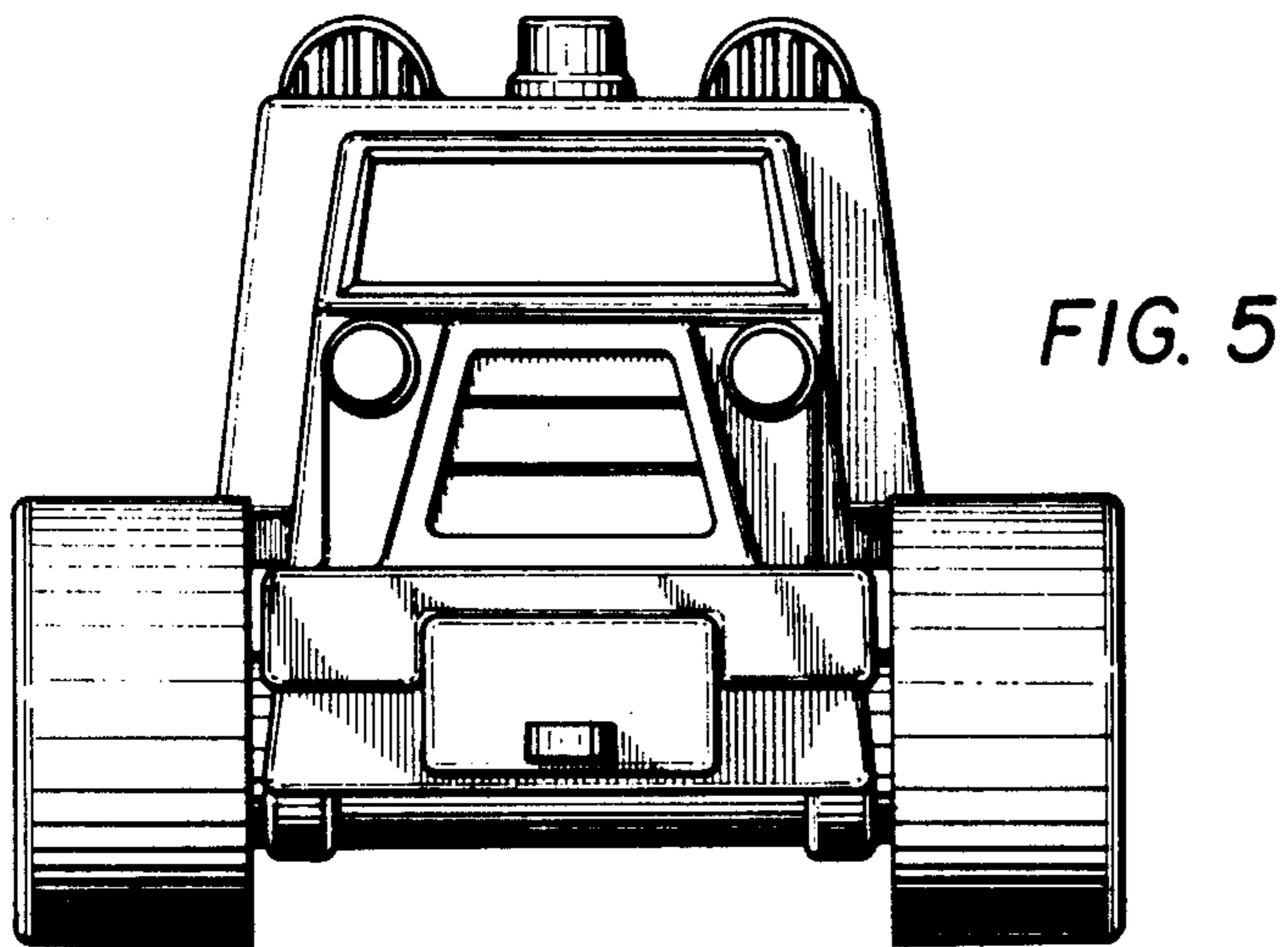
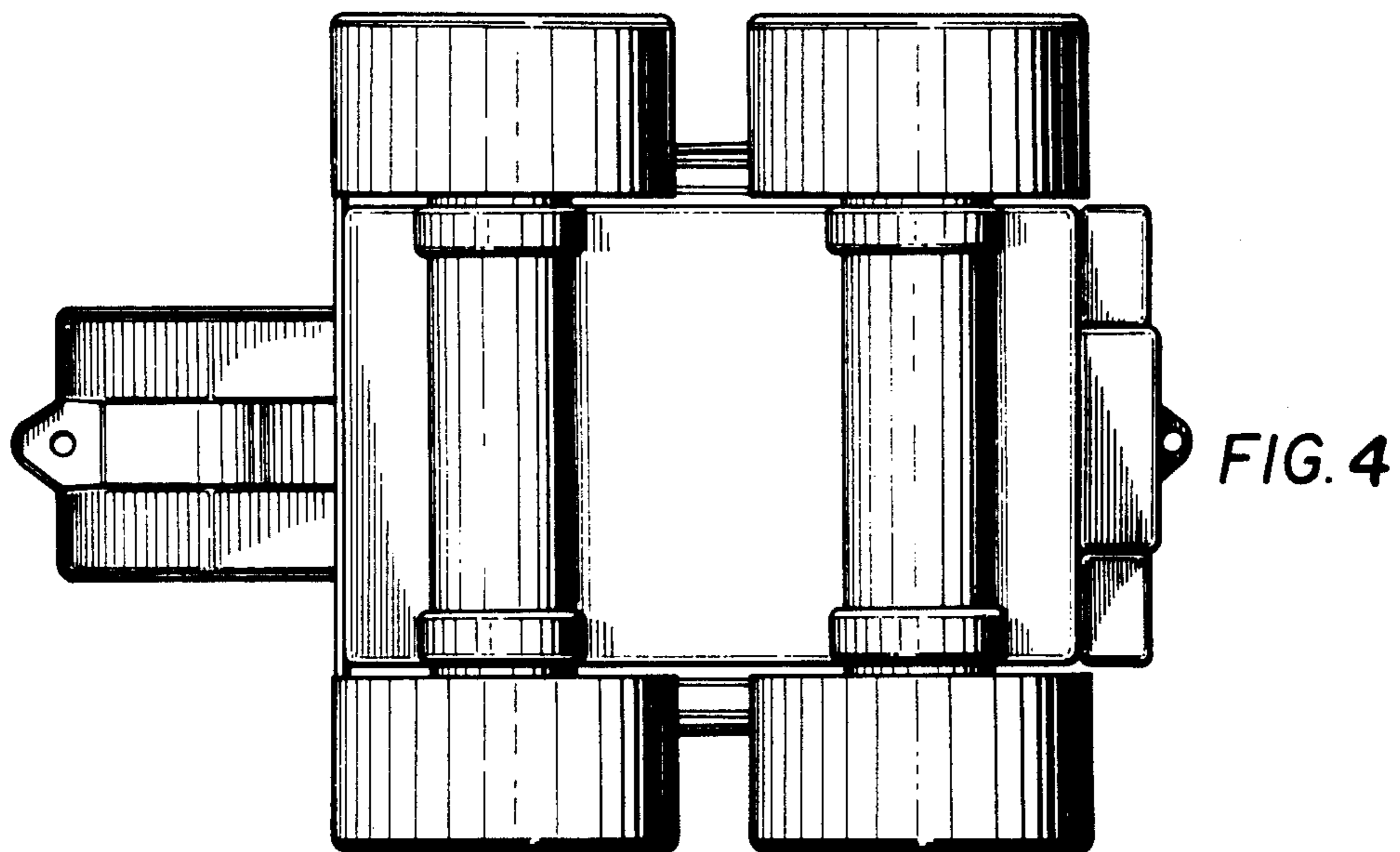


FIG. 6

