

[54] TOY FIRE TRUCK

[75] Inventor: Donald H. Samuels, Warwick, R.I.

[73] Assignee: Hasbro Industries, Inc., Pawtucket, R.I.

[\*\*] Term: 14 Years

[21] Appl. No.: 13,795

[22] Filed: Feb. 21, 1979

[51] Int. Cl. .... D21-01

[52] U.S. Cl. .... D21/133

[58] Field of Search ..... D21/71, 76, 78, 79, D21/128, 133, 134, 136, 137, 140, 139; 46/201, 202, 222, 215

[56] References Cited

U.S. PATENT DOCUMENTS

- D. 243,266 2/1977 Breneman ..... D21/132
- D. 253,183 10/1979 Peterson ..... D21/132

OTHER PUBLICATIONS

Sears Xmas Catalog, 1974, p. 482, "Nerf" Pick-Up Truck.

Montgomery Ward 1976 Xmas Catalog, p. 391, item#16, Fire Engine.

Primary Examiner—Charles A. Rademaker

Attorney, Agent, or Firm—Salter & Michaelson

[57] CLAIM

The ornamental design for a toy fire truck, as shown and described.

DESCRIPTION

FIG. 1 is a right side elevational view of a toy fire truck showing my new design;

FIG. 2 is a left side elevational view thereof;

FIG. 3 is a top plan view thereof;

FIG. 4 is a bottom plan view thereof;

FIG. 5 is a front elevational view thereof; and

FIG. 6 is a rear elevational view thereof.

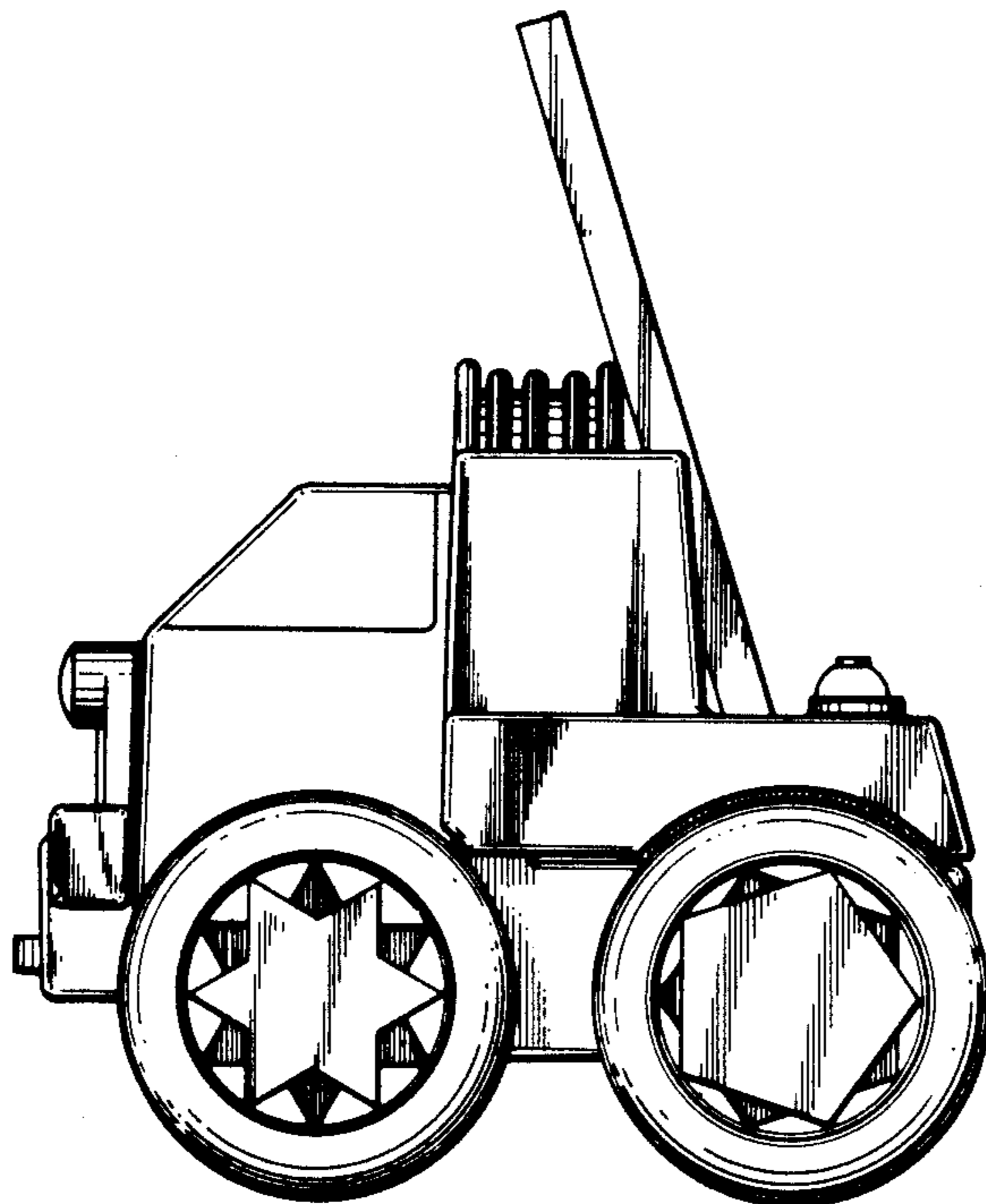


FIG. 1

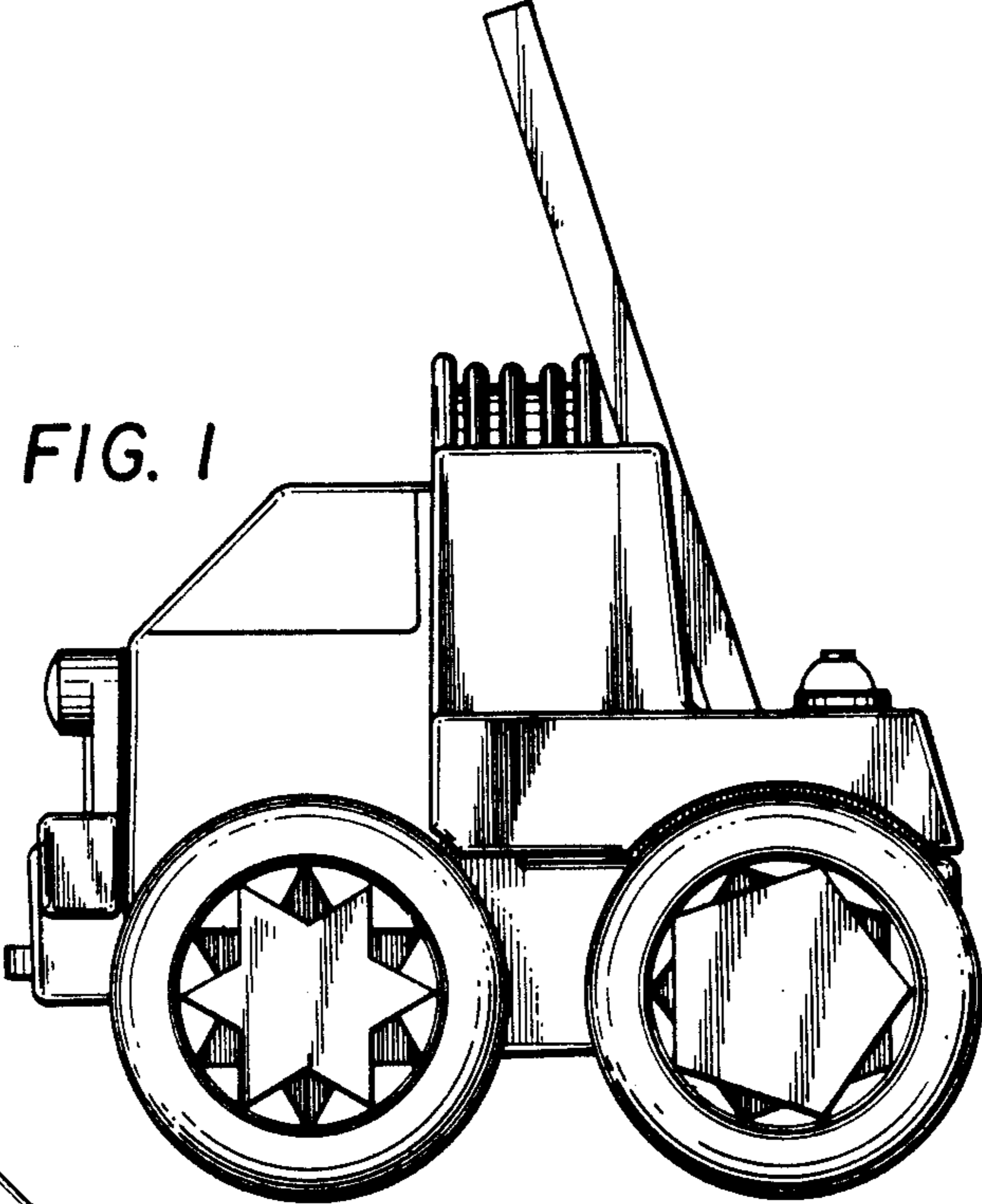


FIG. 2

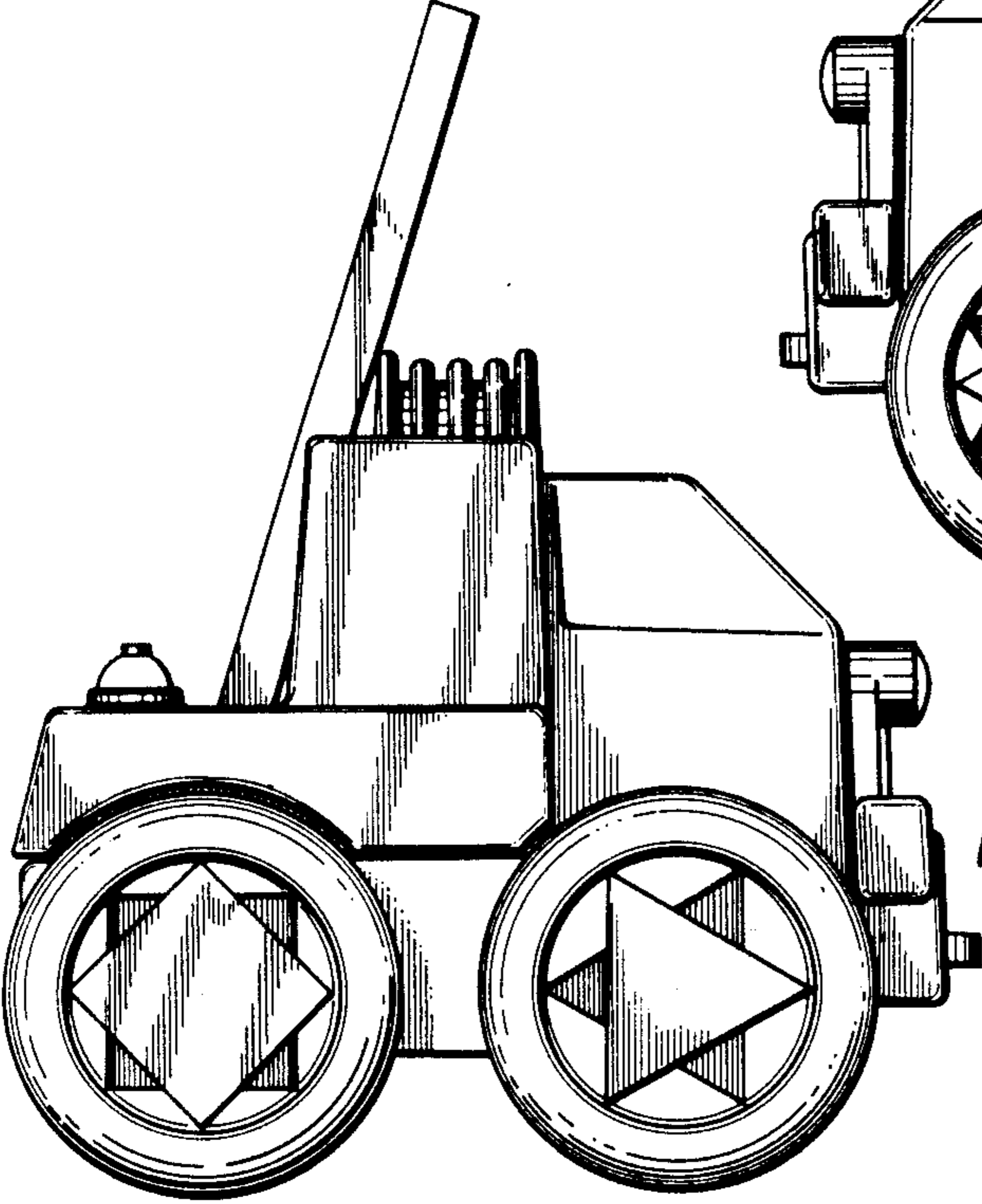


FIG. 3

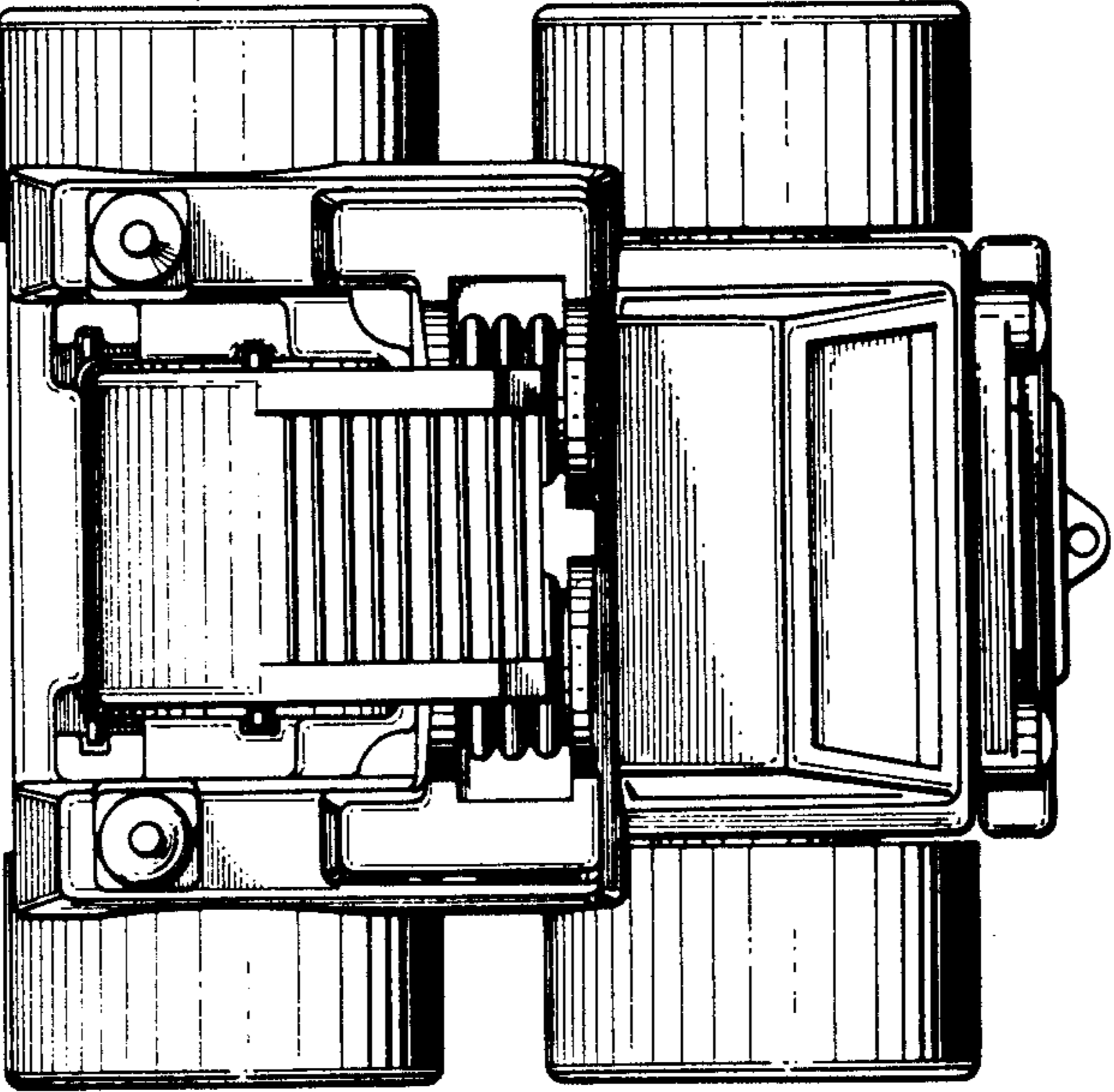


FIG. 4

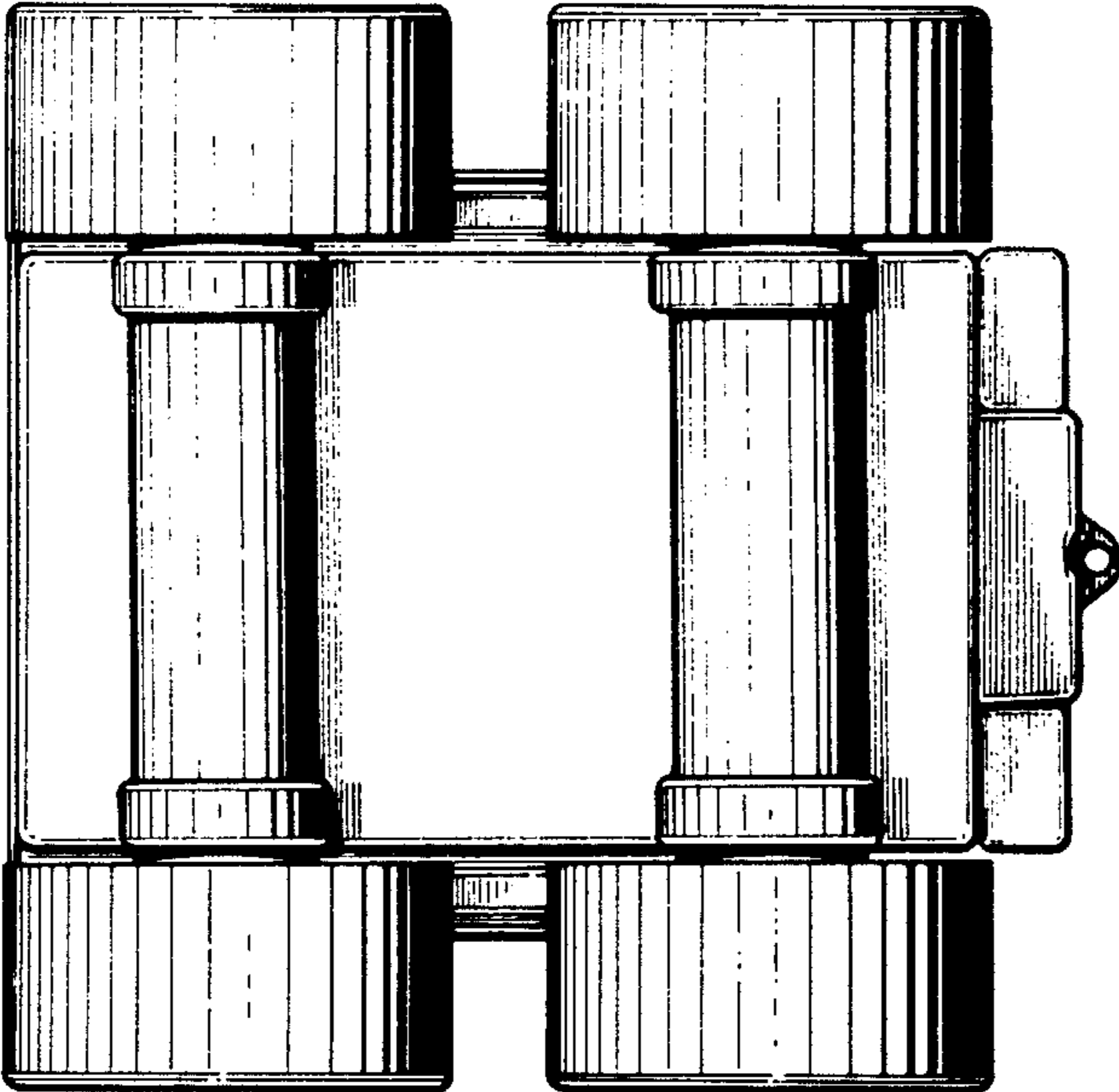


FIG. 5

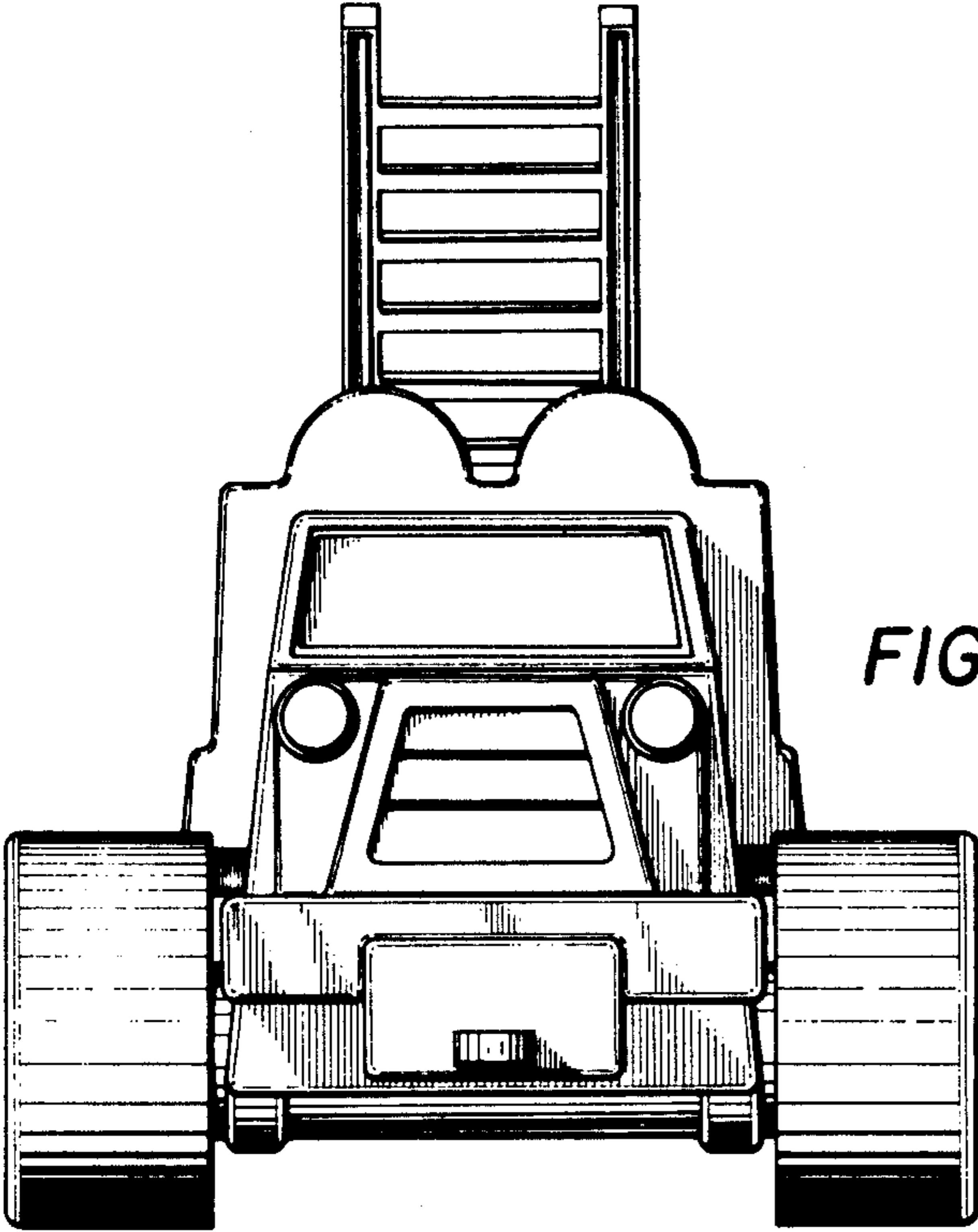


FIG. 6

