

[54] DIRECTORY

[75] Inventor: Herbert Adler, Great Neck, N.Y.

[73] Assignee: Crest Industries Corp., Deer Park, N.Y.

[**] Term: 14 Years

[21] Appl. No.: 18,442

[22] Filed: Mar. 7, 1979

[51] Int. Cl. D19-02

[52] U.S. Cl. D19/76; D19/20

[58] Field of Search D19/20, 21-25, D19/75, 76, 78, 86, 87, 91, 92; 281/15 B; 40/120; D6/184; D27/46

[56] References Cited

U.S. PATENT DOCUMENTS

D. 141,410	5/1945	Myers	D27/46
D. 194,007	11/1962	Goodson	D19/20
1,531,684	3/1925	Bolx	281/15 B
2,675,249	4/1954	Segal	281/15 B

FOREIGN PATENT DOCUMENTS

1397454	12/1964	France	40/120
311235	1/1956	Switzerland	D6/184

Primary Examiner—George P. Word
Attorney, Agent, or Firm—Howard C. Miskin

[57] CLAIM

The ornamental design for a directory, as shown and described.

DESCRIPTION

FIG. 1 is a front elevational view of a directory showing my new design;
 FIG. 2 is a top plan view along line 2—2 of FIG. 1;
 FIG. 3 is a right side elevational view along line 3—3 of FIG. 1;
 FIG. 4 is a left side elevational view along line 4—4 of FIG. 1;
 FIG. 5 is a bottom plan view along line 5—5 of FIG. 1;
 FIG. 6 is a front elevational view of an alternative embodiment of the directory; and
 FIG. 7 is a top plan view thereof taken along line 7—7 of FIG. 6.

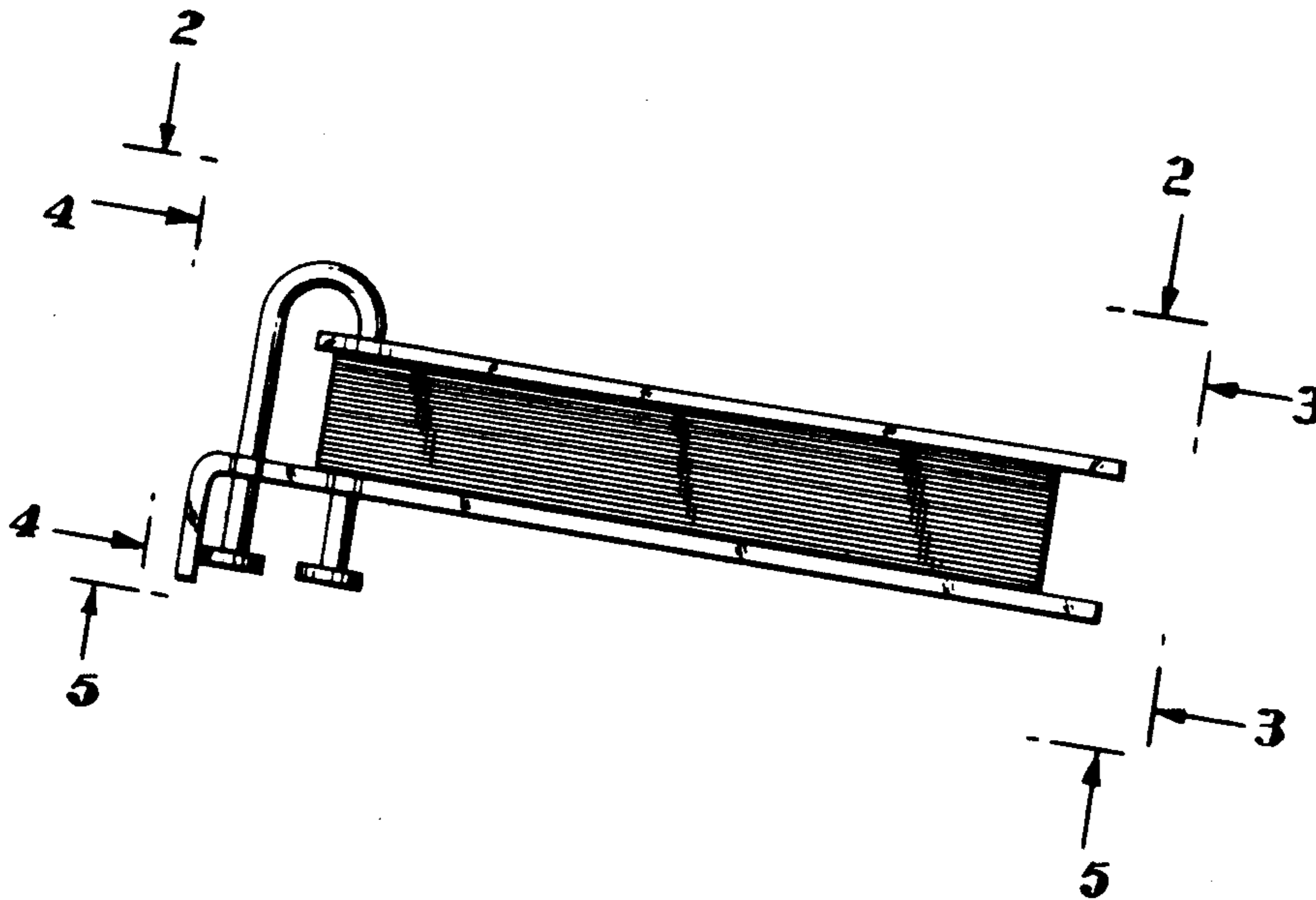


FIG. 1

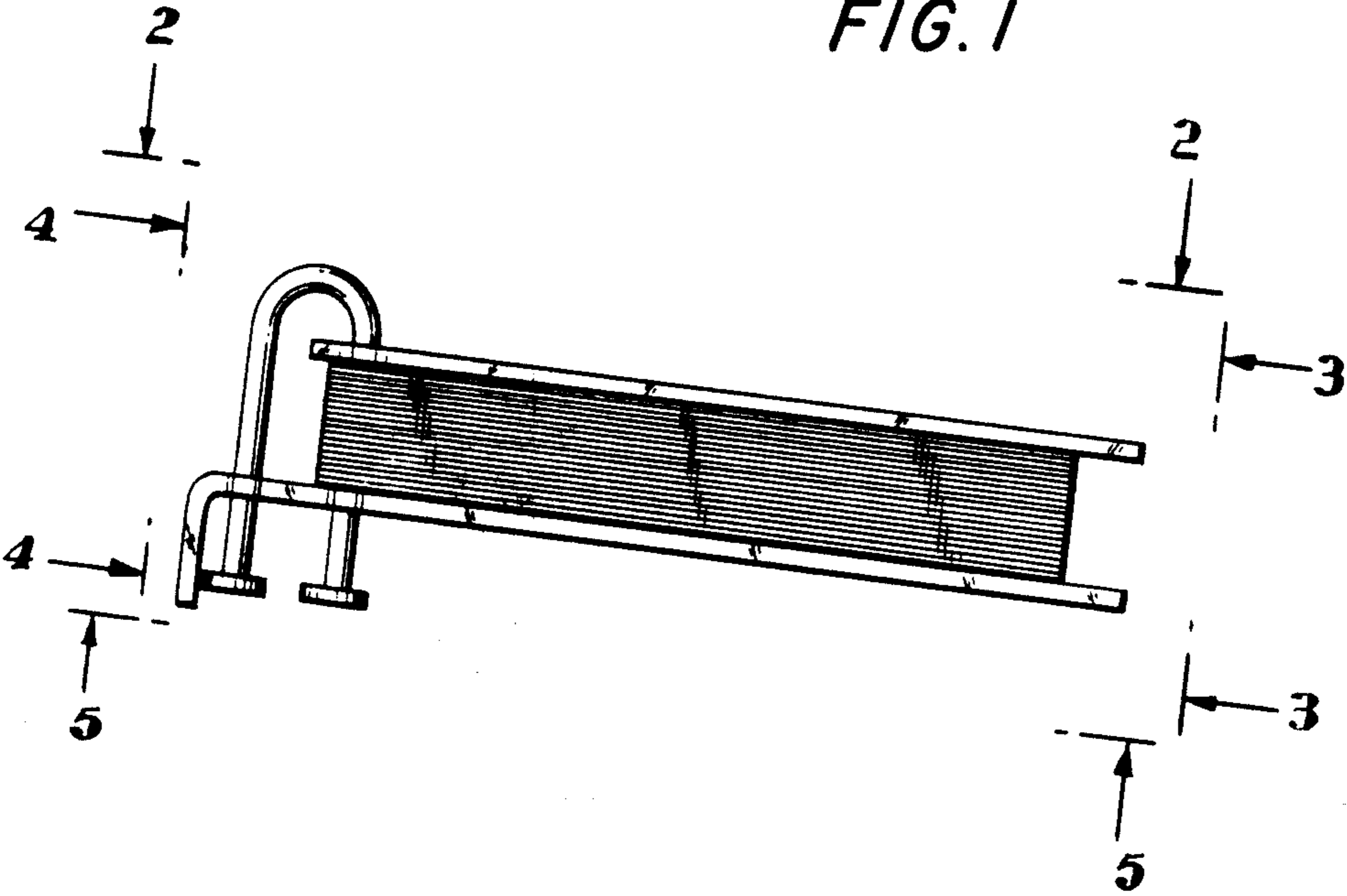


FIG. 2

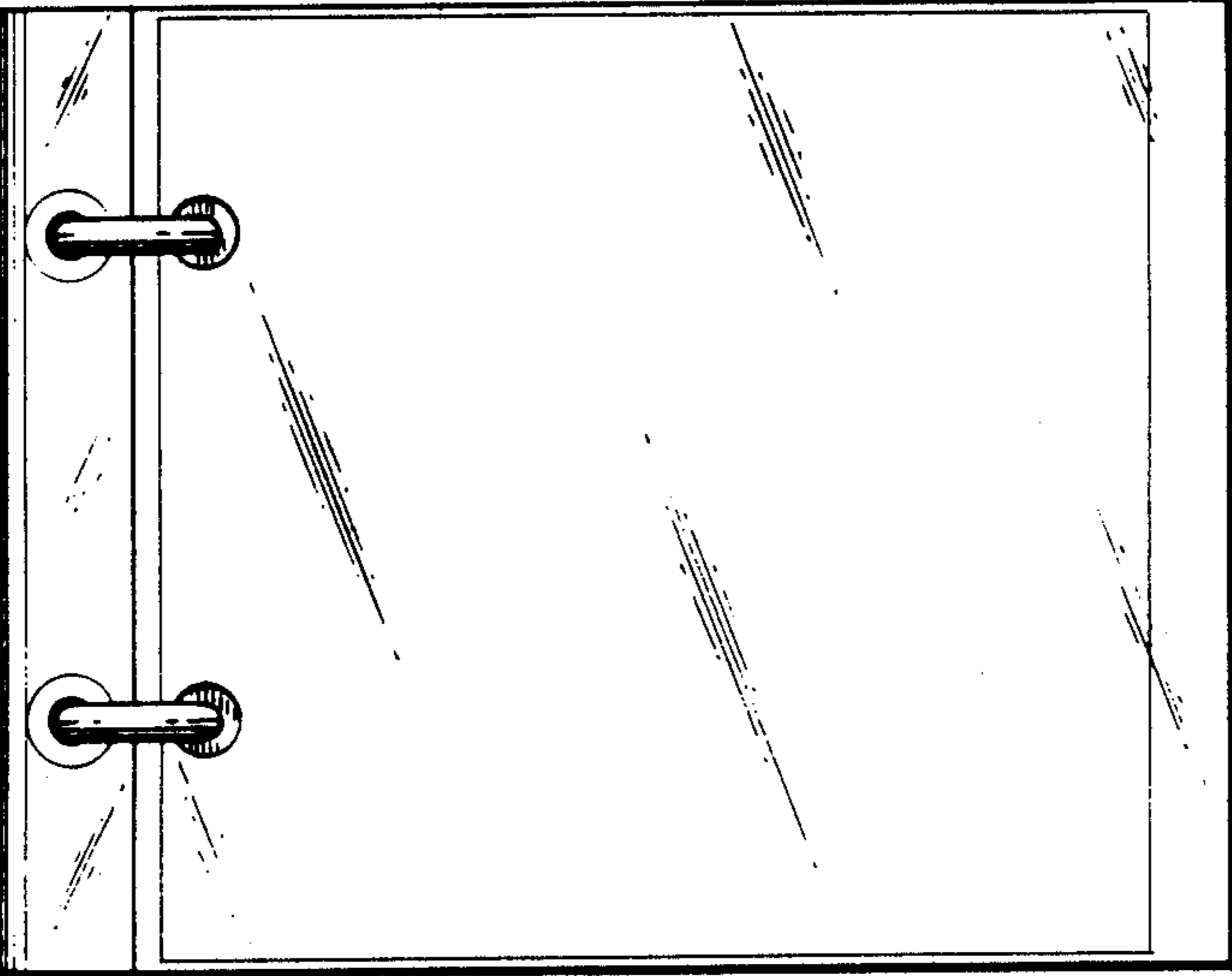


FIG. 3

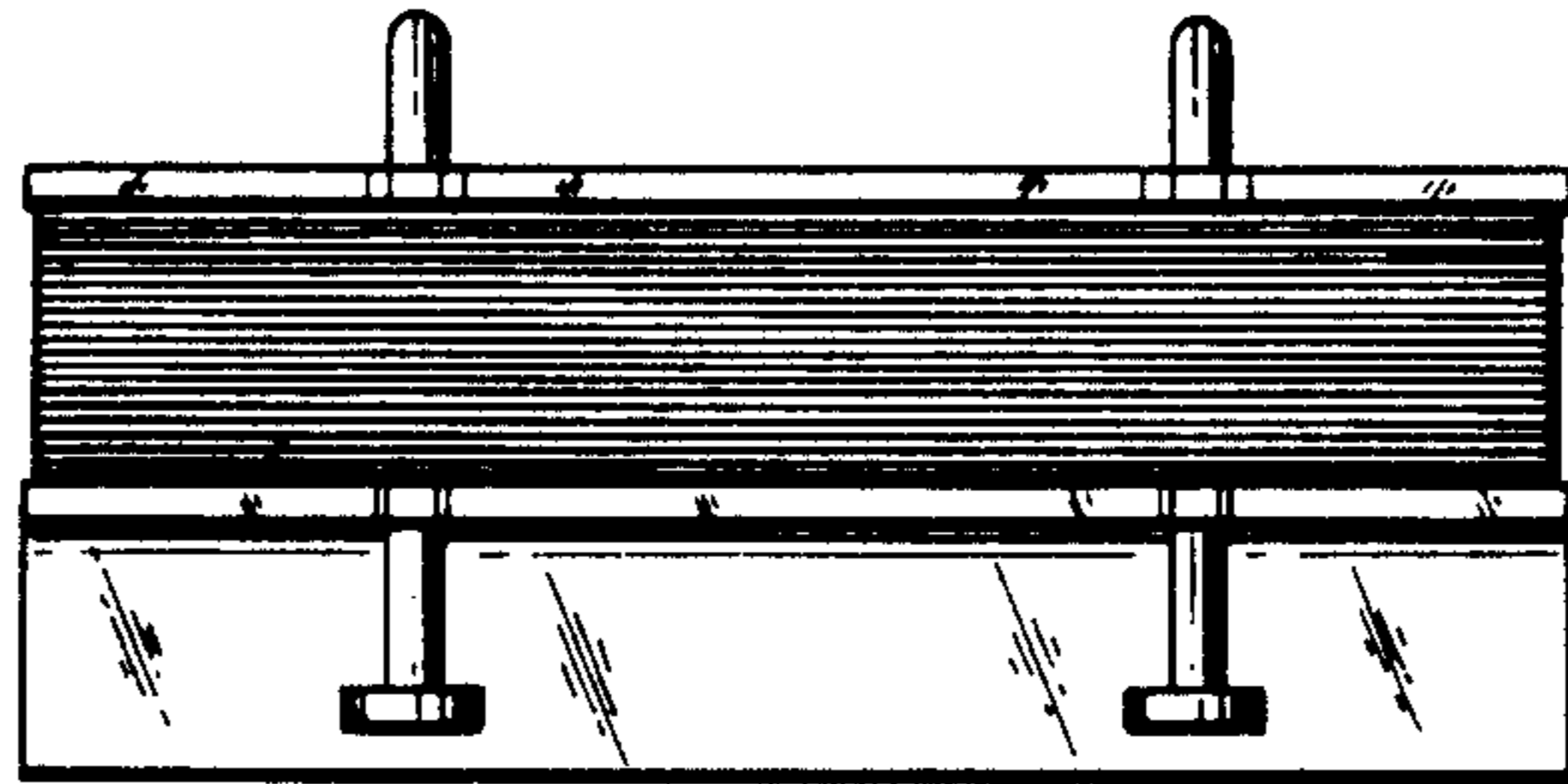


FIG. 4

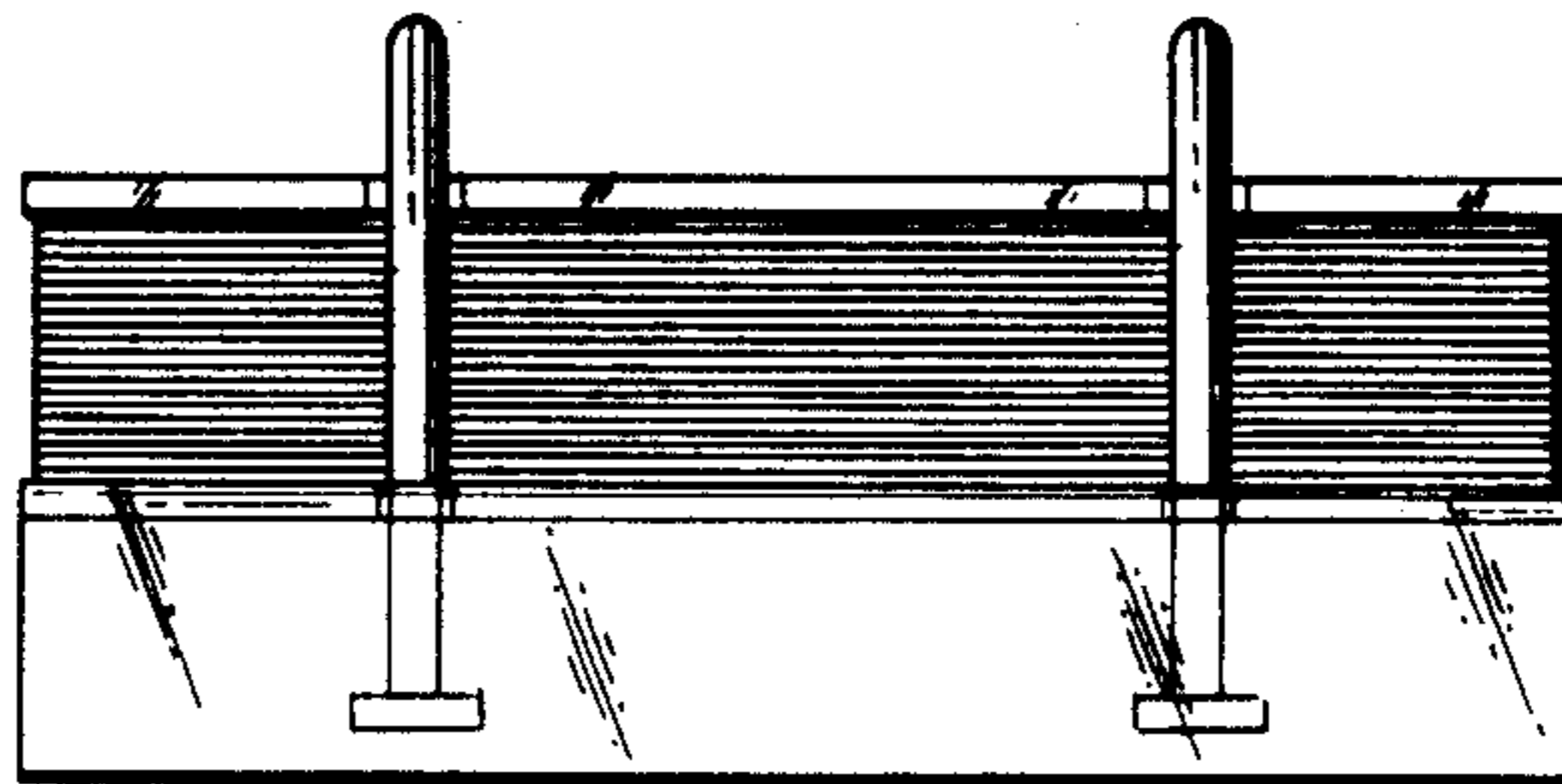
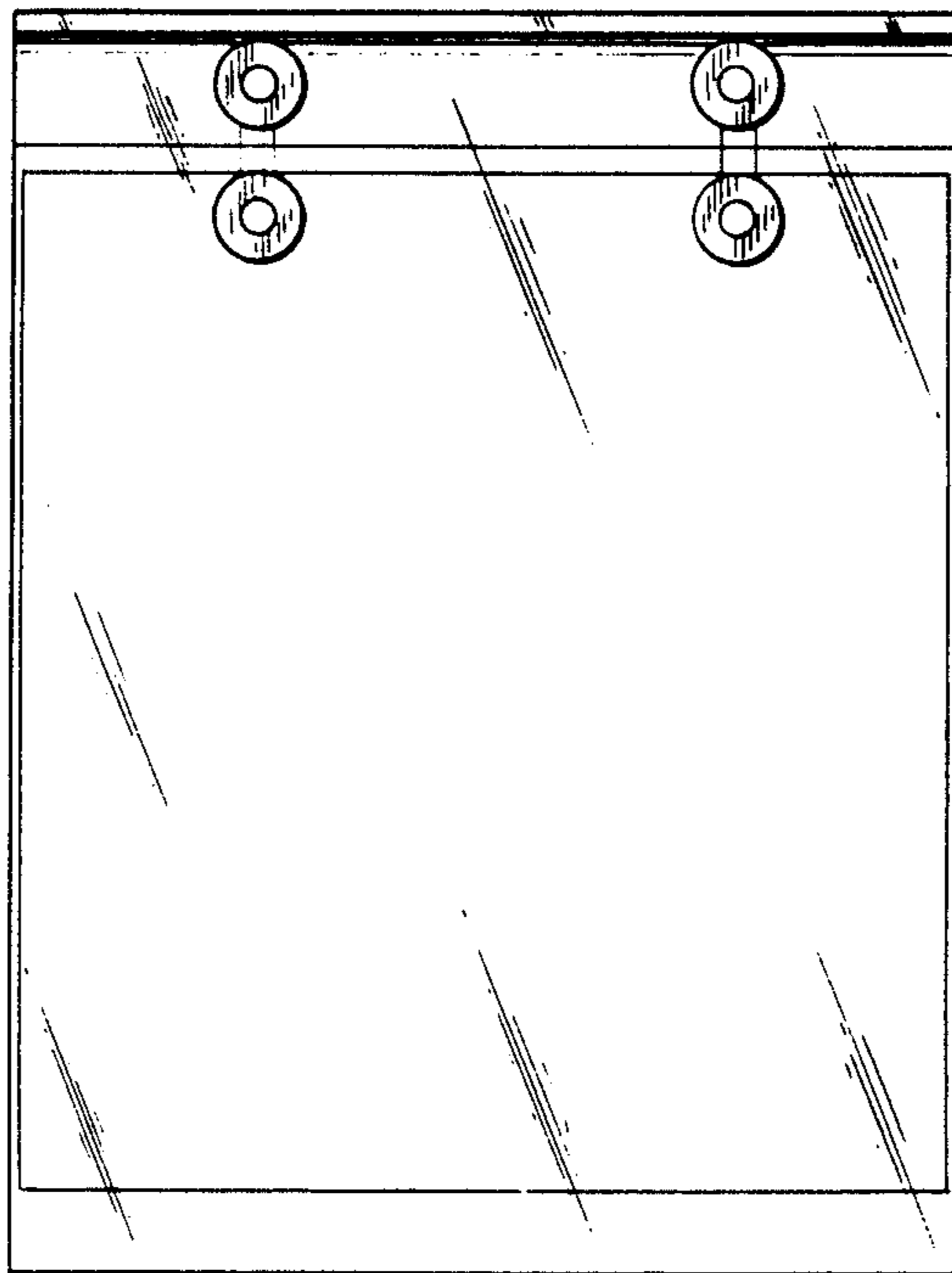


FIG. 5



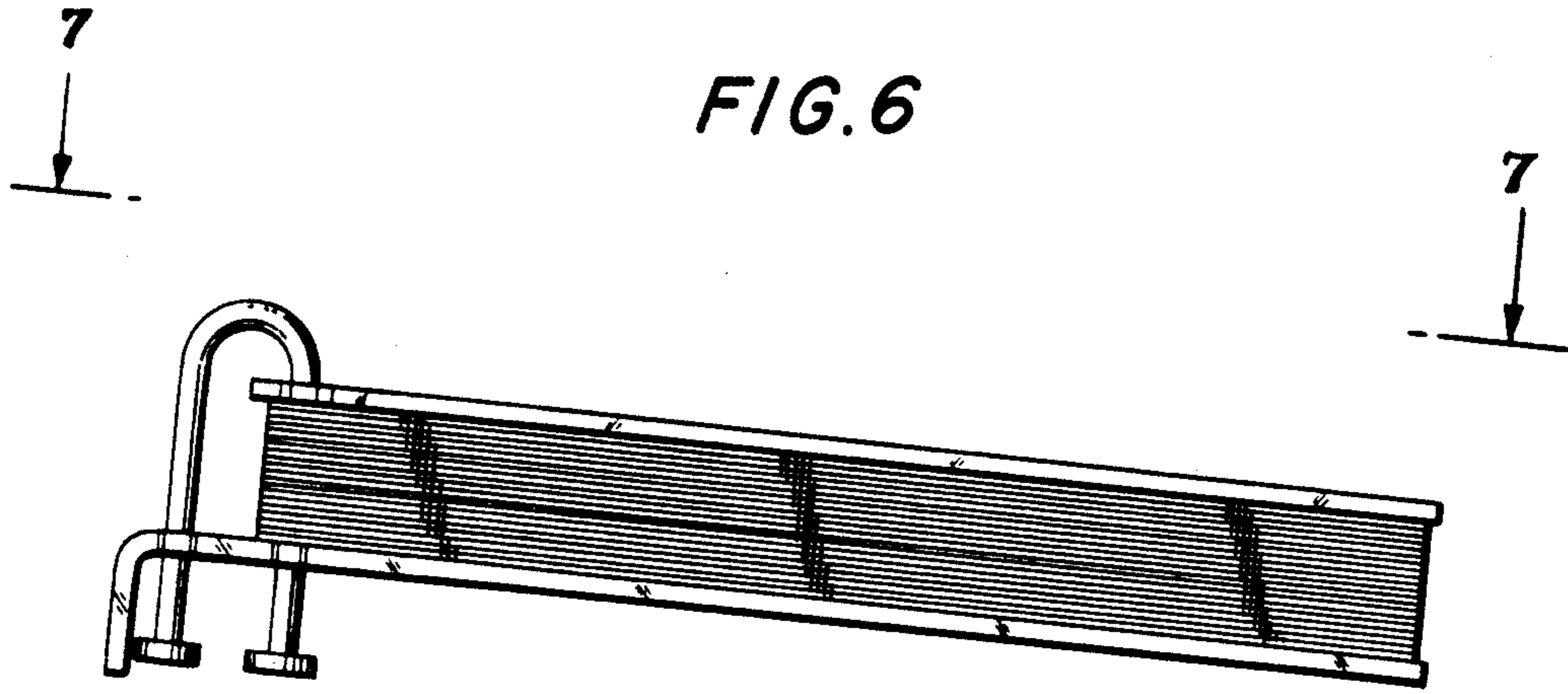


FIG. 7

