

[54] ELECTROPHOTOGRAPHIC APPARATUS

[75] Inventors: Stephen K. Bright, Fairport; Robert H. Van Valkinburgh, Pittsford, both of N.Y.

[73] Assignee: Xerox Corporation, Stamford, Conn.

[**] Term: 14 Years

[21] Appl. No.: 945,937

[22] Filed: Sep. 25, 1978

[51] Int. Cl. D16-03

[52] U.S. Cl. D16/30

[58] Field of Search D16/27, 28, 29, 30, D16/31, 32; 355/3 R, 8, 9

[56]

References Cited

U.S. PATENT DOCUMENTS

D. 209,872	1/1968	Plantholt et al.	D16/30
D. 227,600	7/1973	Noyes	D16/30
D. 230,515	2/1974	Hutcheson et al.	D16/30
D. 236,378	8/1975	Yahofsky	D16/30
D. 240,554	7/1976	Cross et al.	D16/30

Primary Examiner—Catherine E. Kemper
Attorney, Agent, or Firm—Ronald F. Chapuran

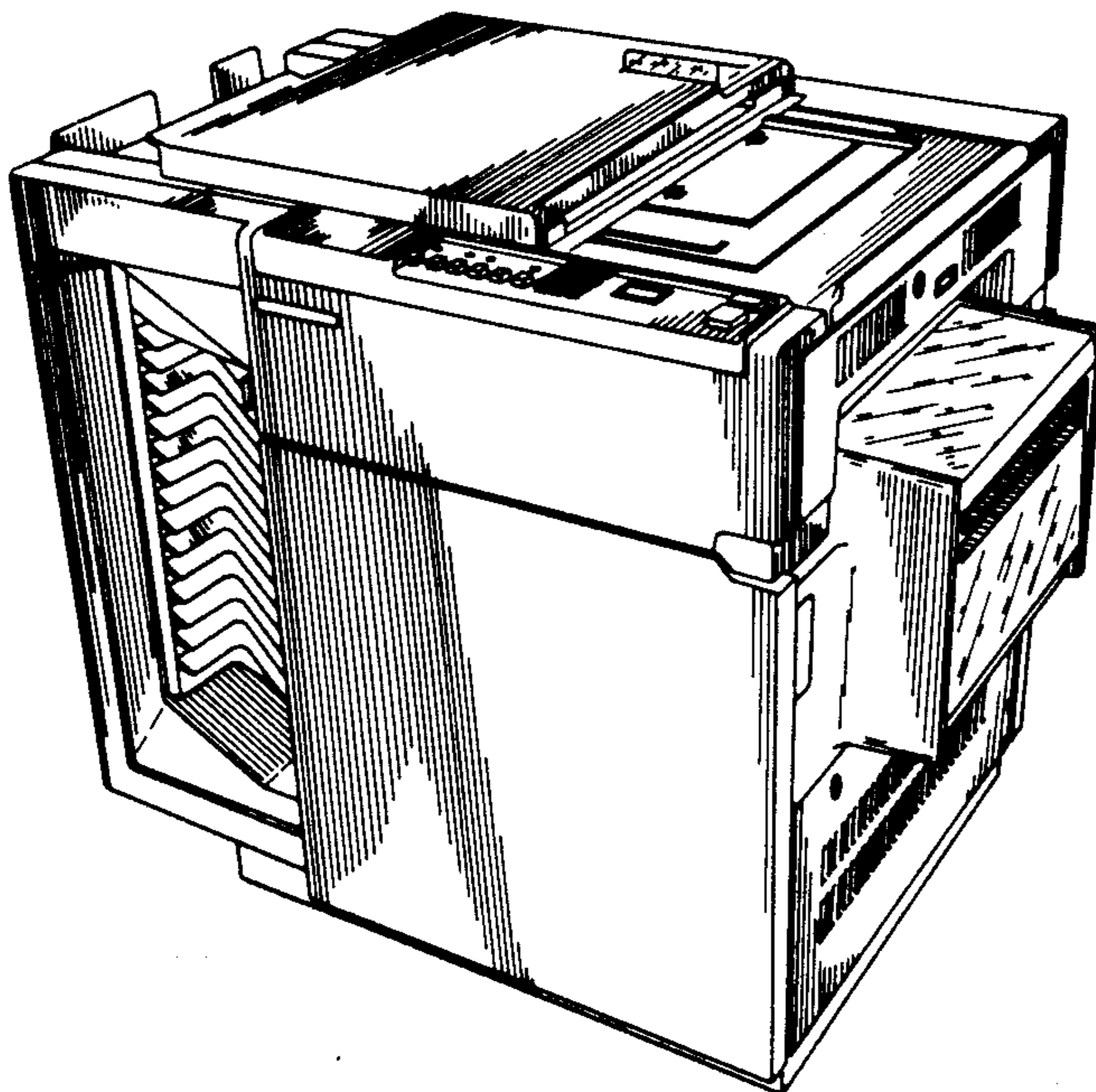
[57]

CLAIM

The ornamental design for an electrophotographic apparatus, as shown.

DESCRIPTION

FIG. 1 is an isometric view of an electrophotographic apparatus showing my new design; FIG. 2 is a front elevational view thereof; FIG. 3 is a rear elevational view thereof; FIG. 4 is a left side elevational view thereof; FIG. 5 is a right side elevational view thereof; and FIG. 6 is a top plan view thereof.



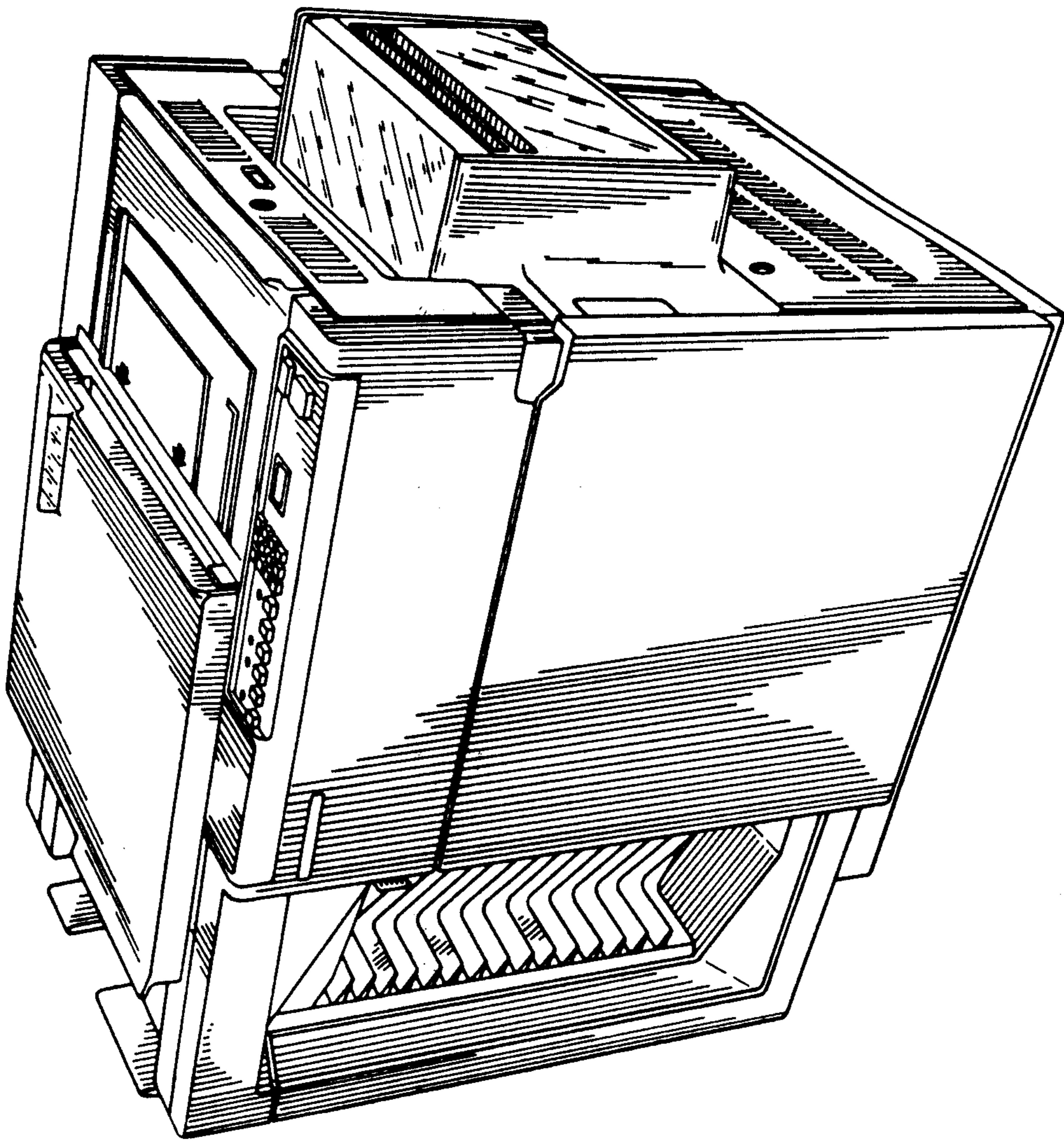


FIG. 1

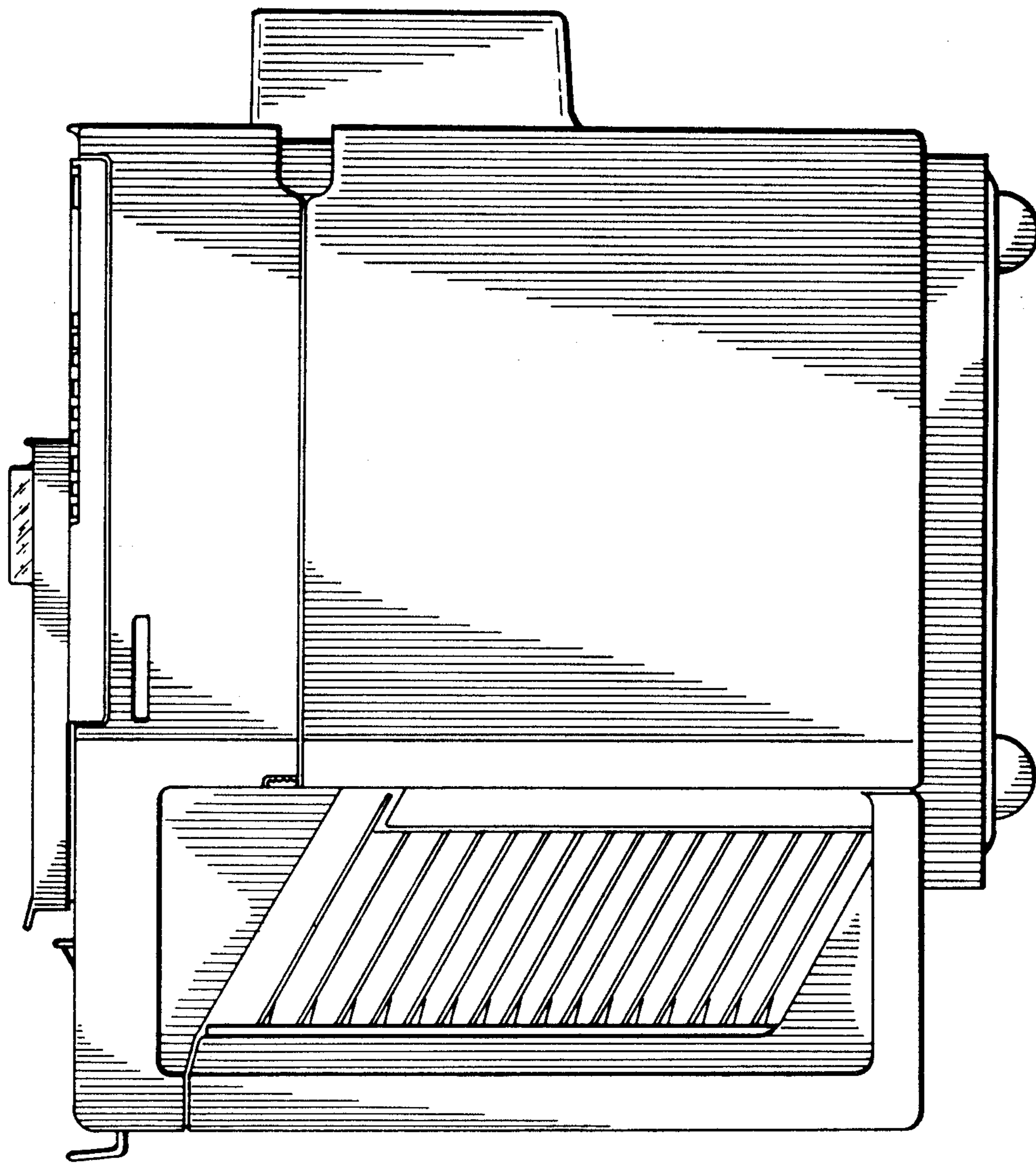


FIG. 2

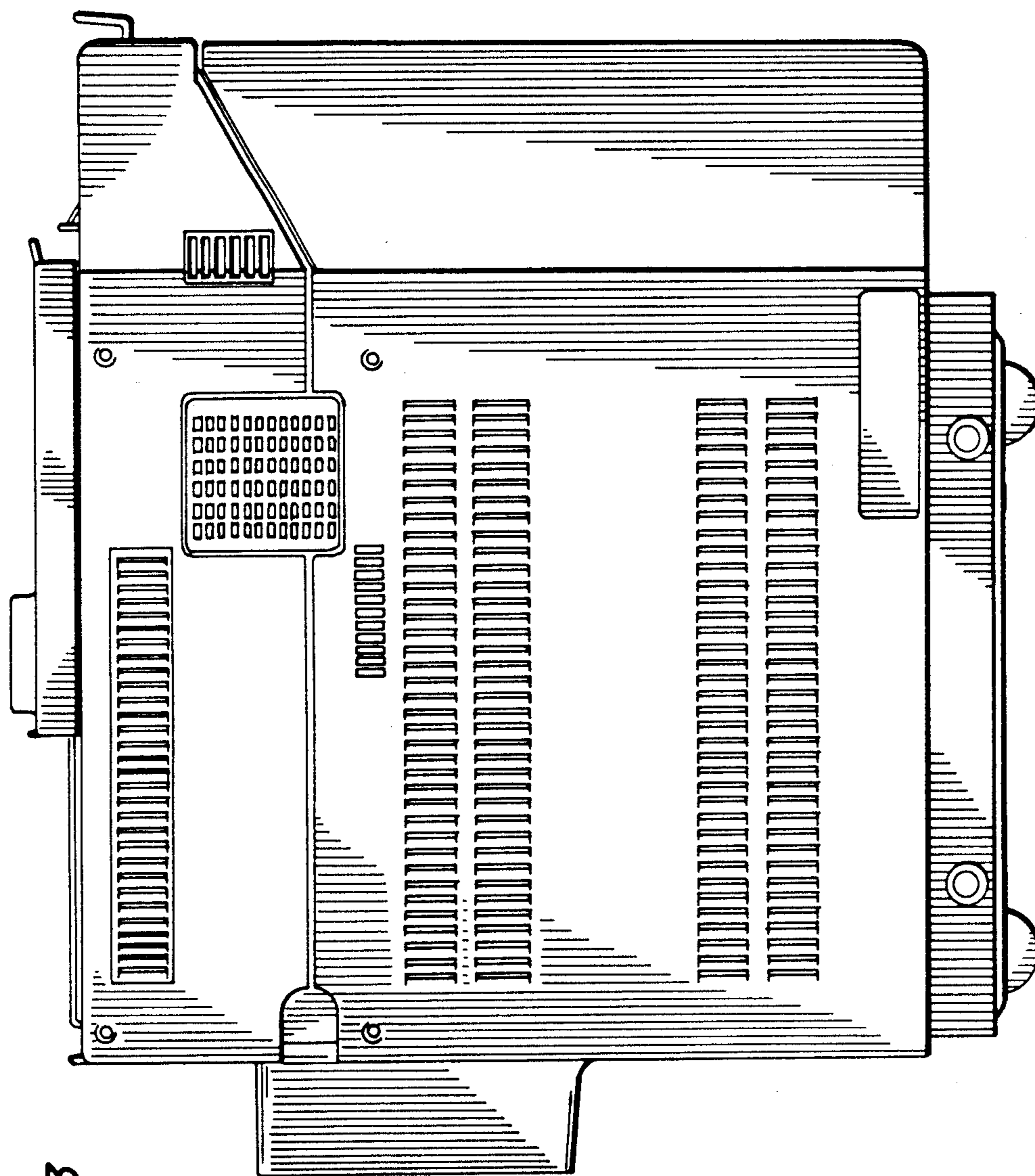


FIG. 3

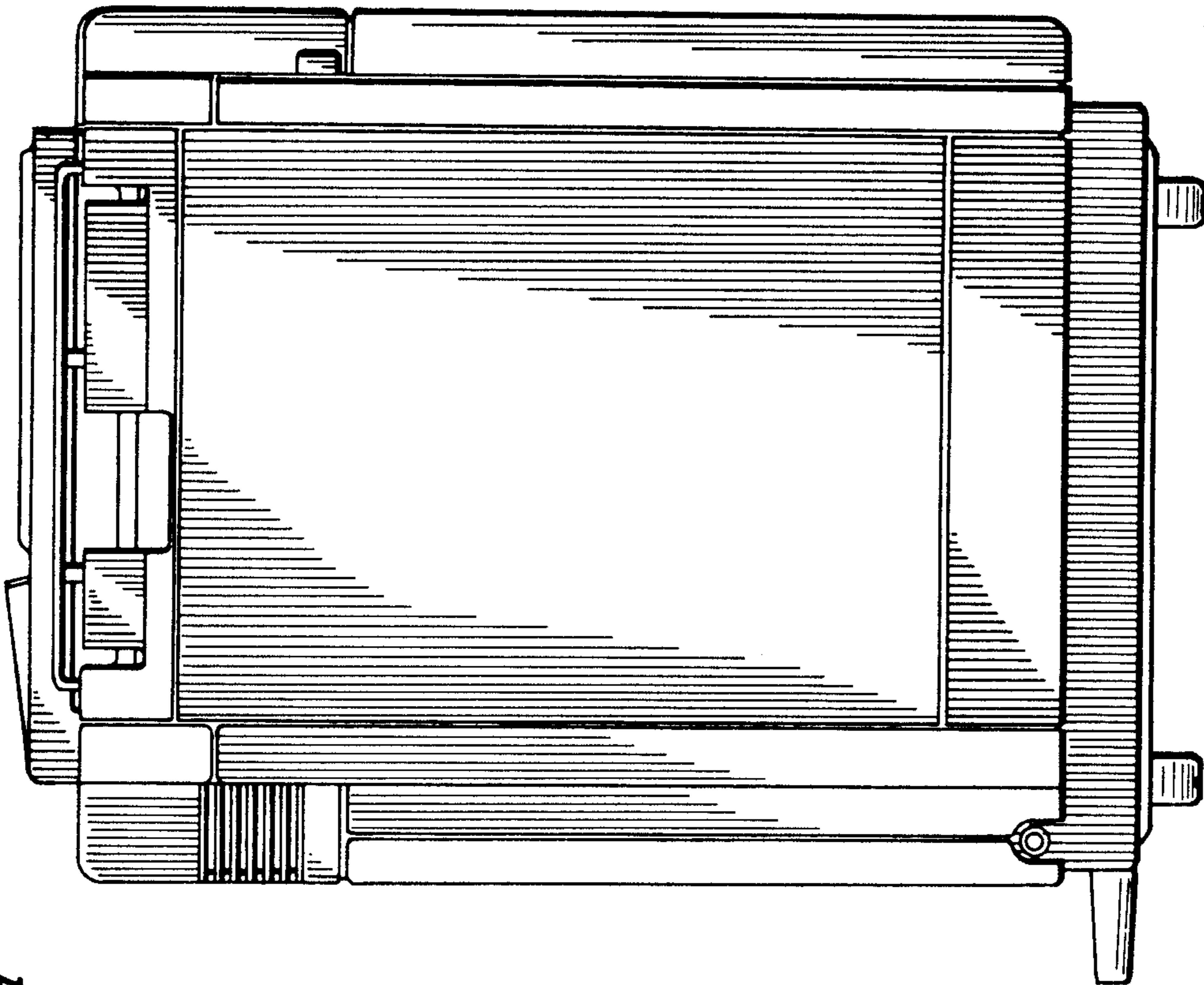


FIG. 4

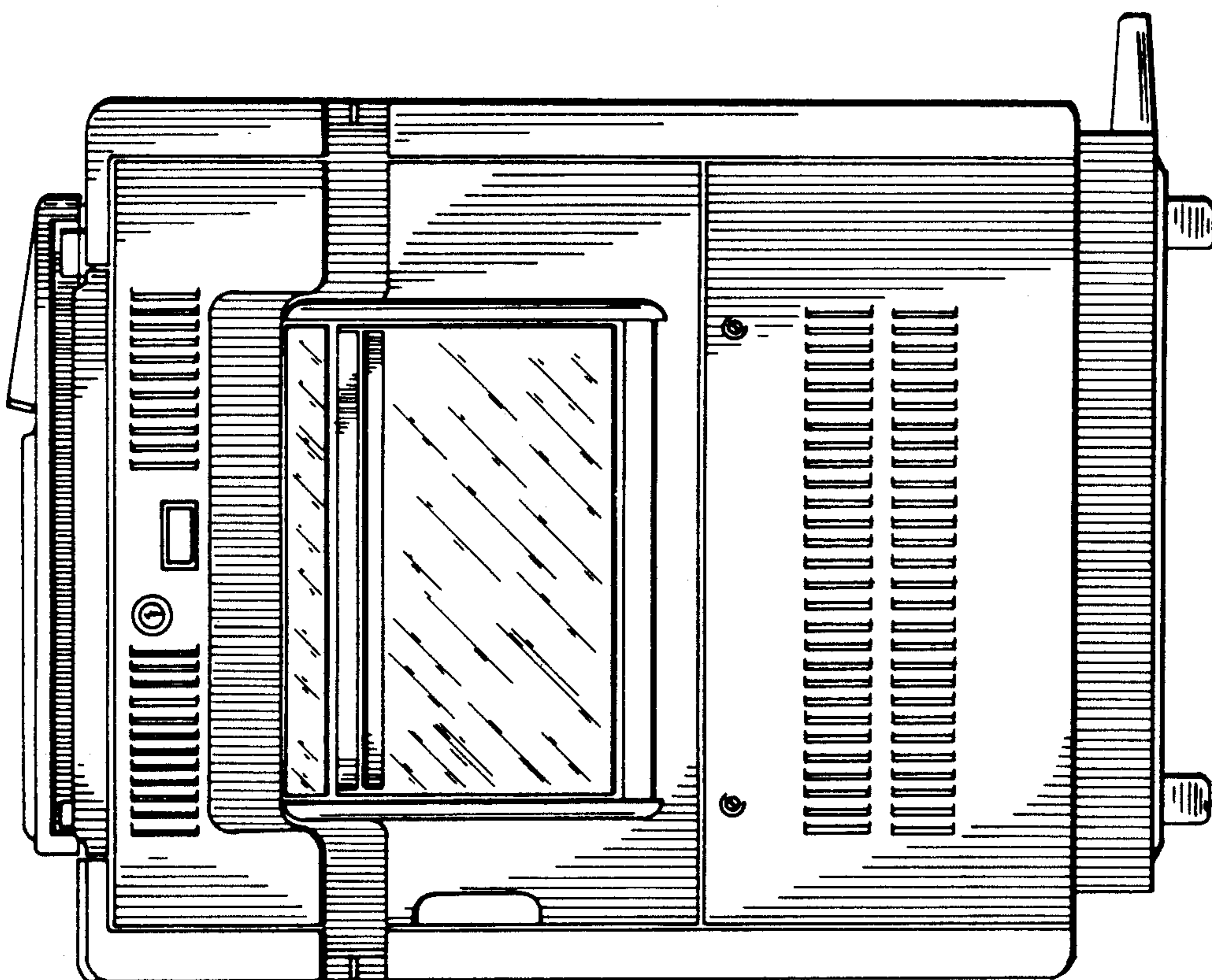


FIG. 5

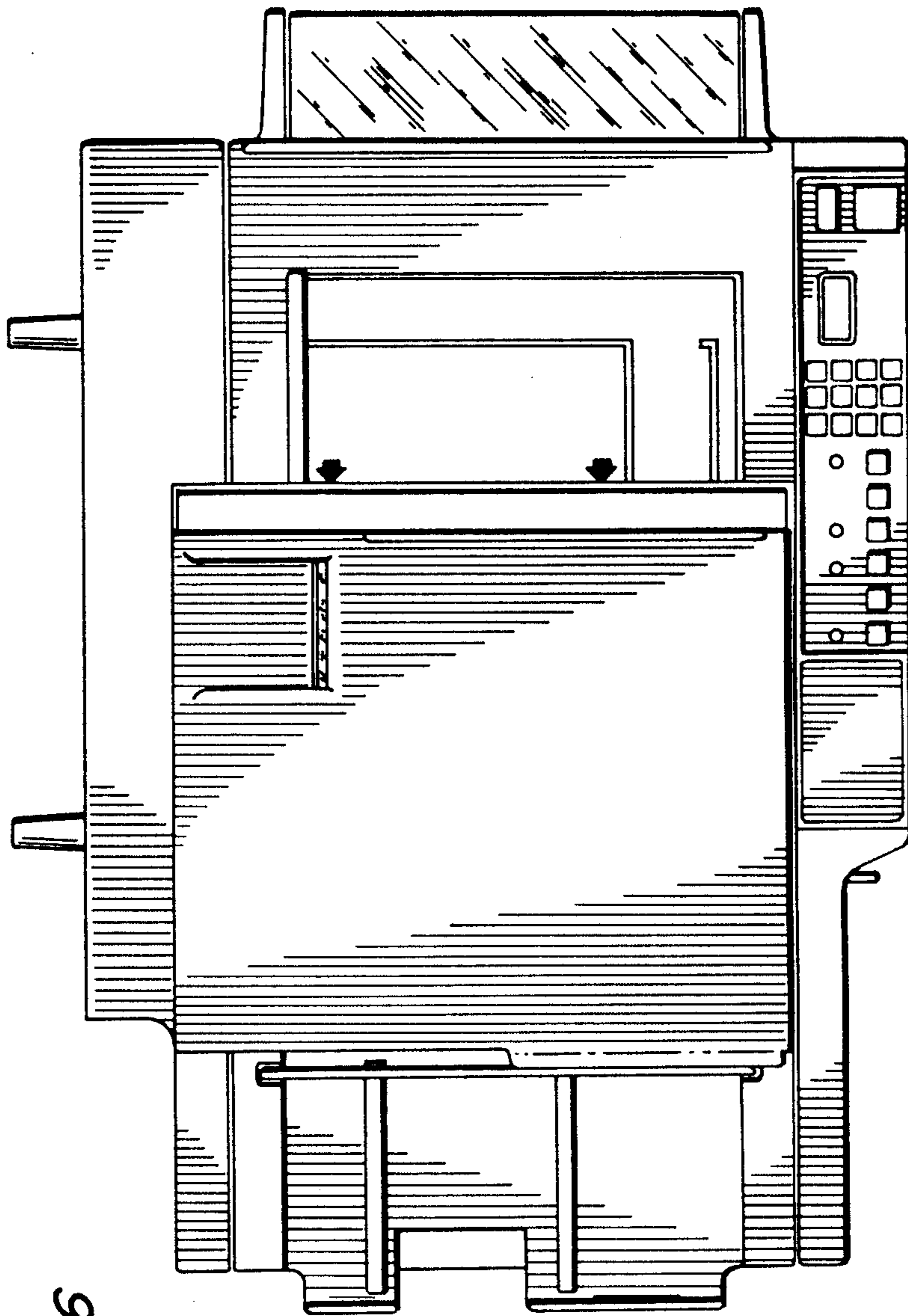


FIG. 6