

[54] MANIFOLD FOR MAGNETIC DRIVE PUMP

[75] Inventor: Thomas B. Martin, Walnut Creek, Calif.

[73] Assignee: Micropump Corporation, Concord, Calif.

[**] Term: 14 Years

[21] Appl. No.: 968,701

[22] Filed: Dec. 11, 1978

[51] Int. Cl. D15-02

[52] U.S. Cl. D15/7

[58] Field of Search D15/7-9; 417/310, 420

[56] References Cited

U.S. PATENT DOCUMENTS

D. 209,547	12/1967	Roberts	D15/8
1,841,140	1/1932	Murphy et al.	D15/7
3,802,804	4/1974	Zimmermann	417/420 X

3,932,068	1/1976	Zimmermann	417/420
3,938,914	2/1976	Zimmermann	417/420
3,941,517	3/1976	Miyahara	417/420
4,013,384	3/1977	Oikawa	417/420 X
4,111,614	9/1978	Martin et al.	417/420
4,127,365	11/1978	Martin et al.	417/420
4,165,206	8/1979	Martin et al.	417/310

Primary Examiner—James R. Largen
Attorney, Agent, or Firm—Julian Caplan

[57] CLAIM

The ornamental design for a manifold for magnetic drive pump, as shown and described.

DESCRIPTION

FIG. 1 is a top plan view of a manifold for a magnetic drive pump showing my new design.
FIG. 2 is a left side elevational view thereof.
FIG. 3 is a right side elevational view thereof.
FIG. 4 is a front elevational view thereof.
FIG. 5 is a bottom plan view thereof.
FIG. 6 is a rear elevational view thereof.

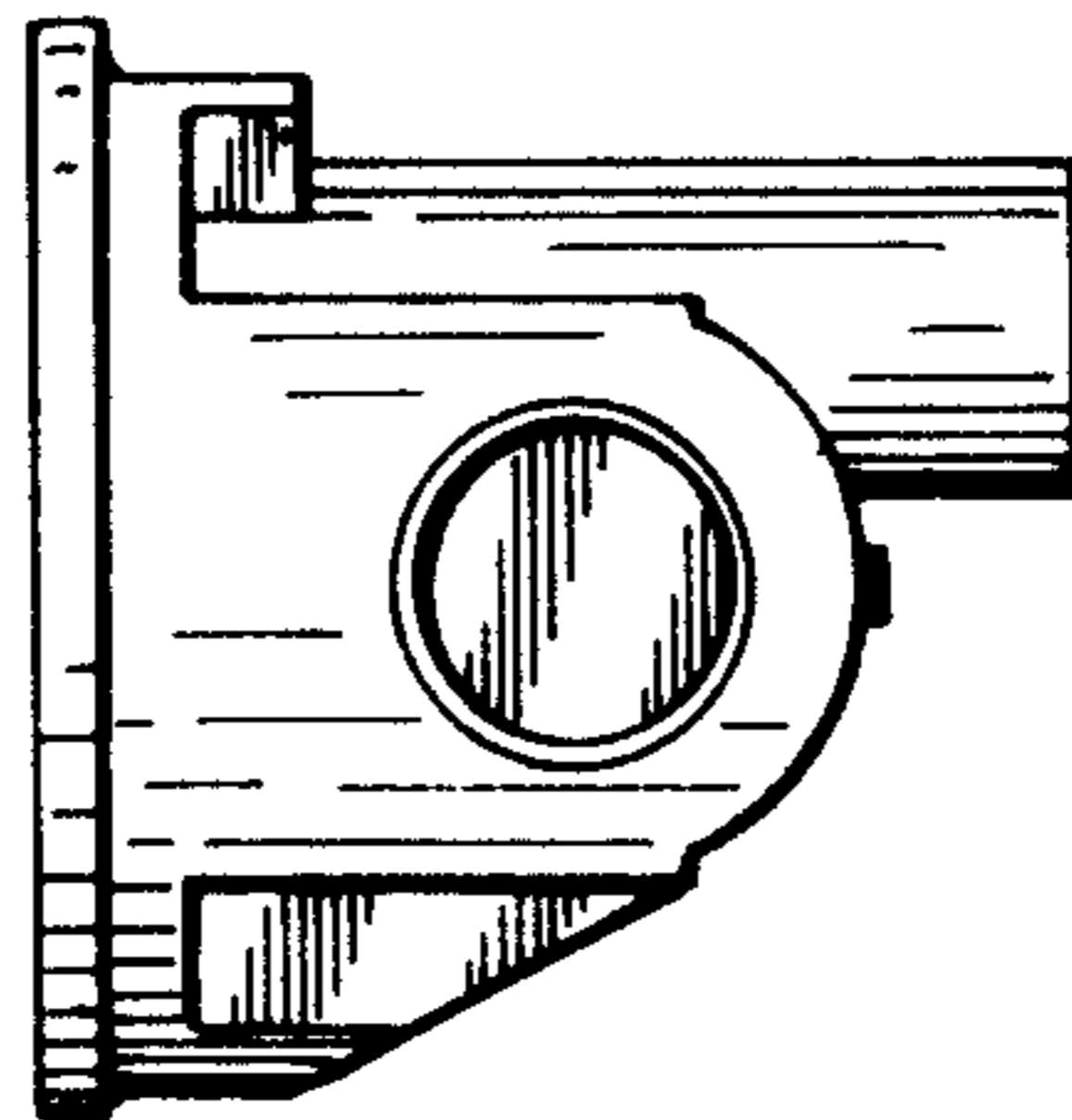
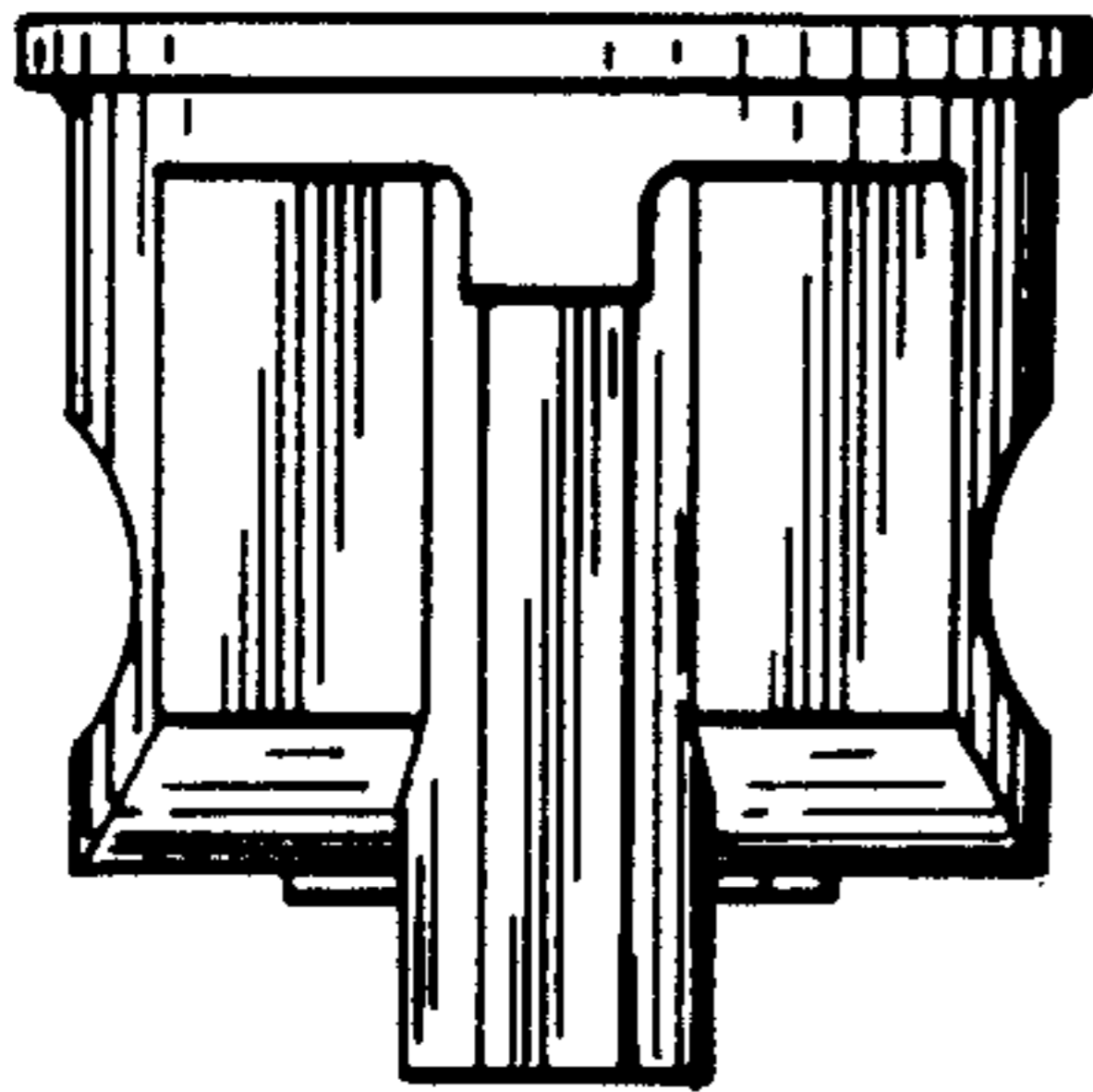


Fig. 6

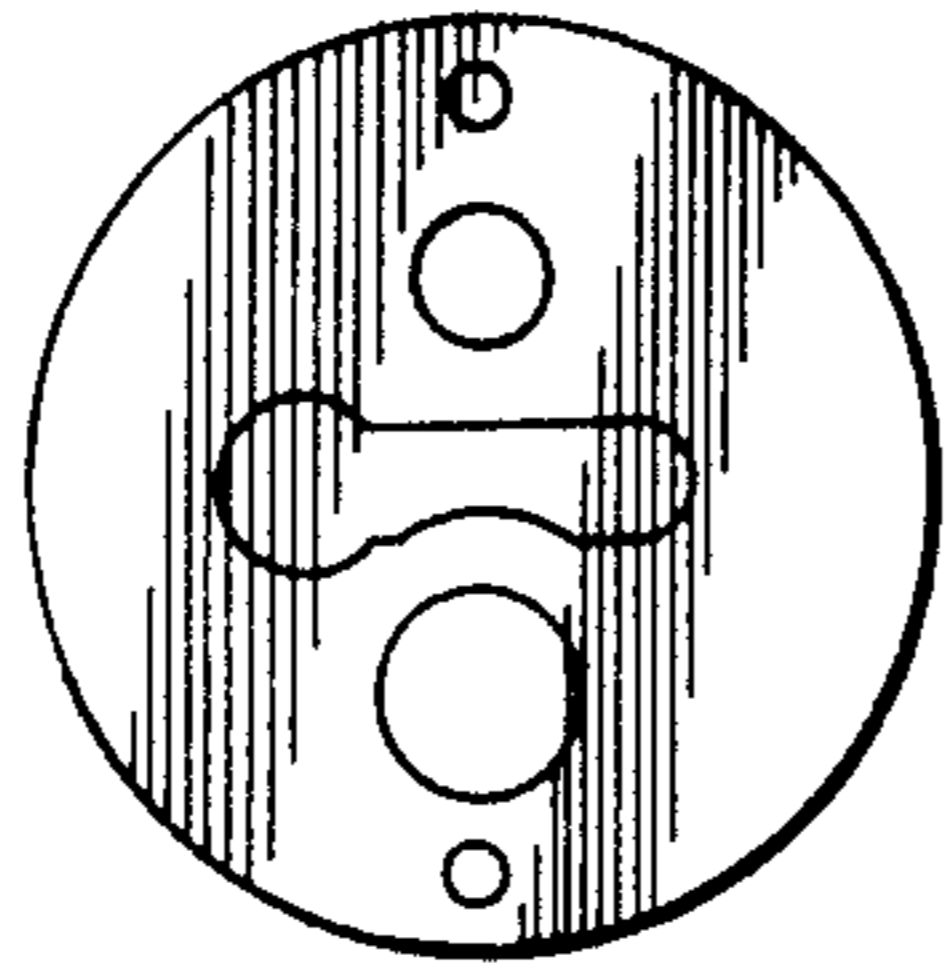


Fig. 1

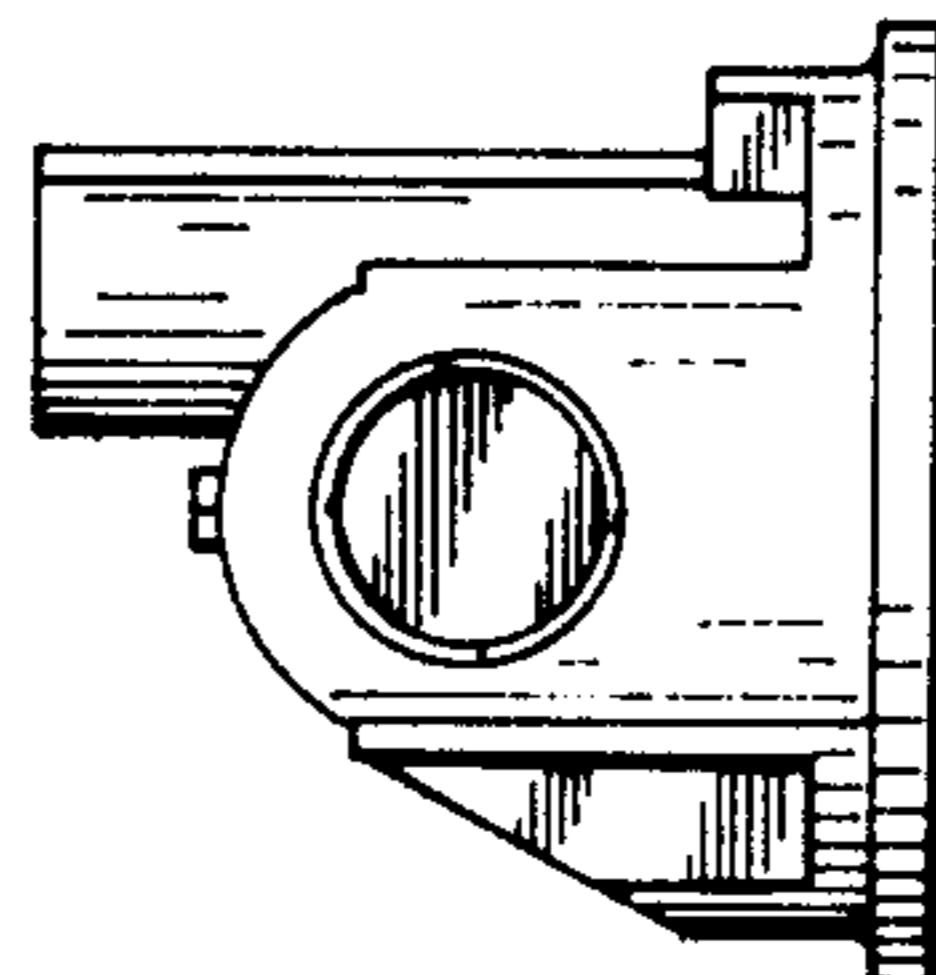
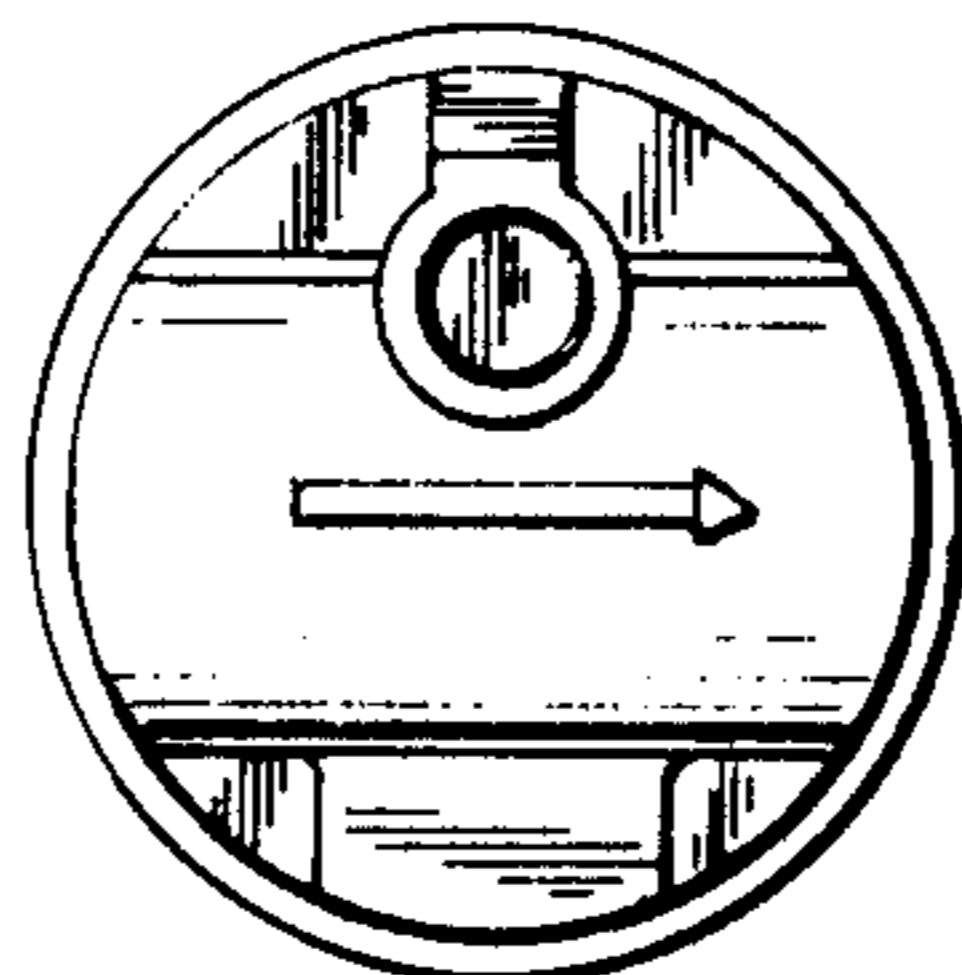
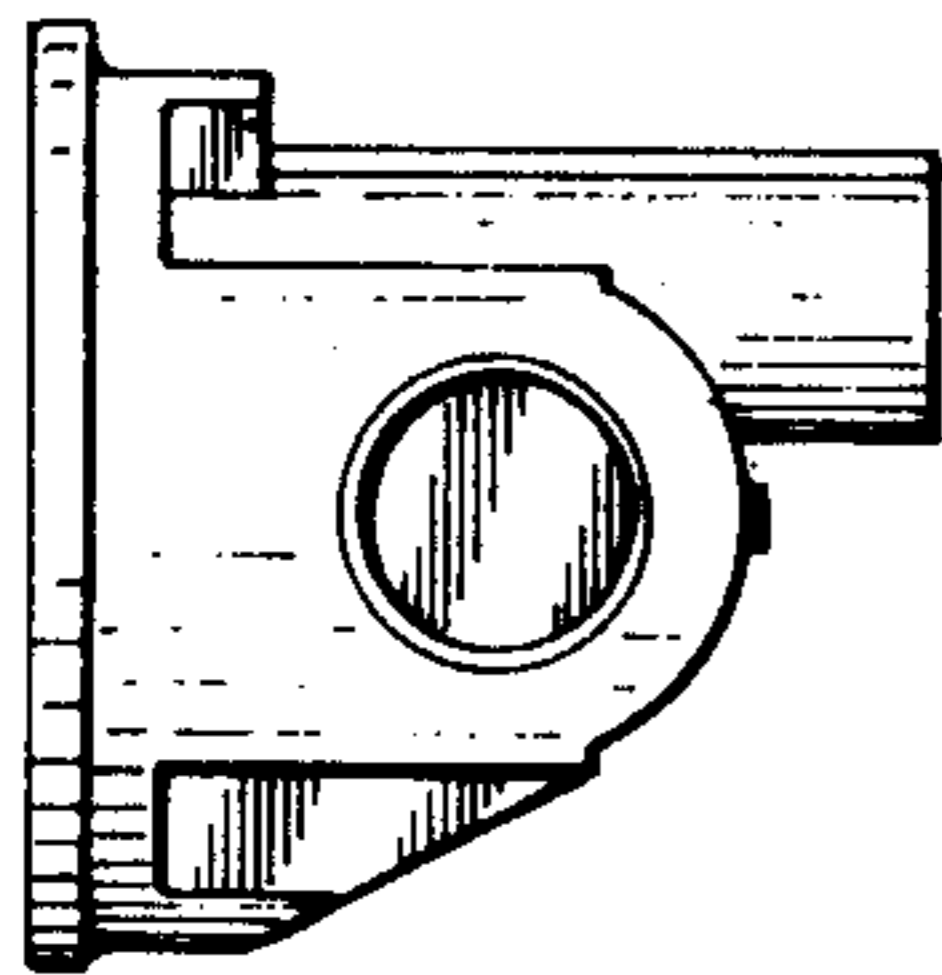
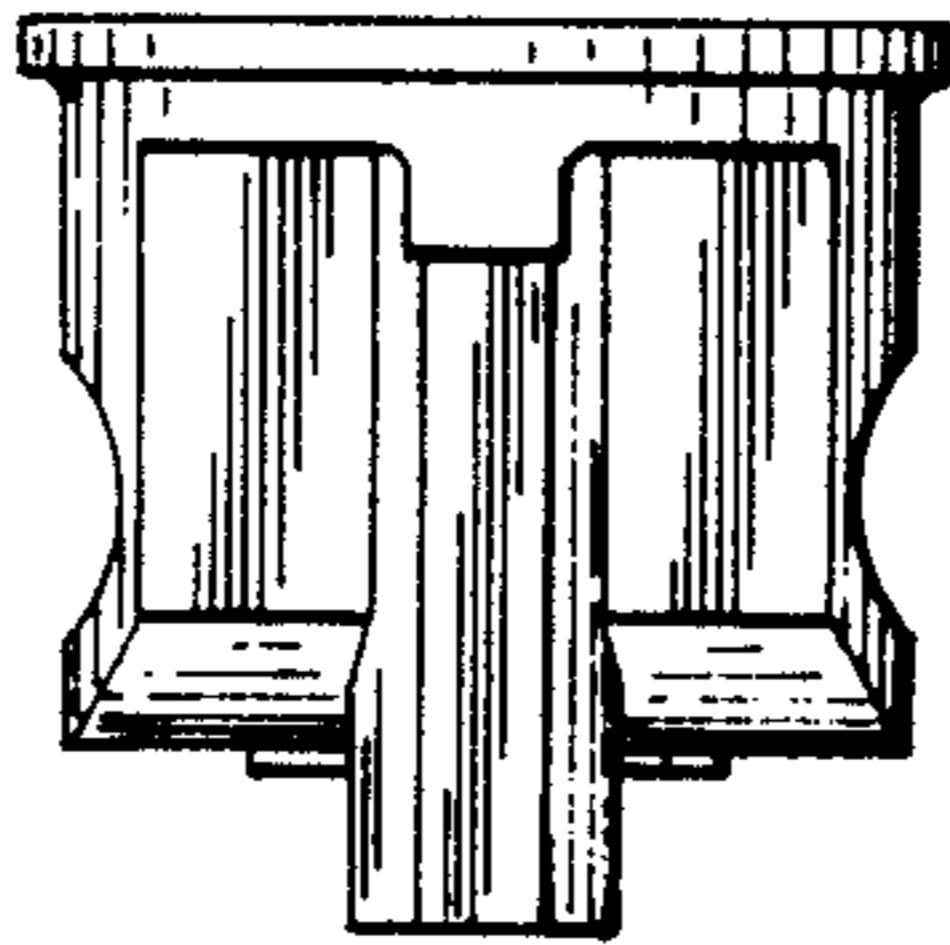


Fig. 2

Fig. 4

Fig. 3

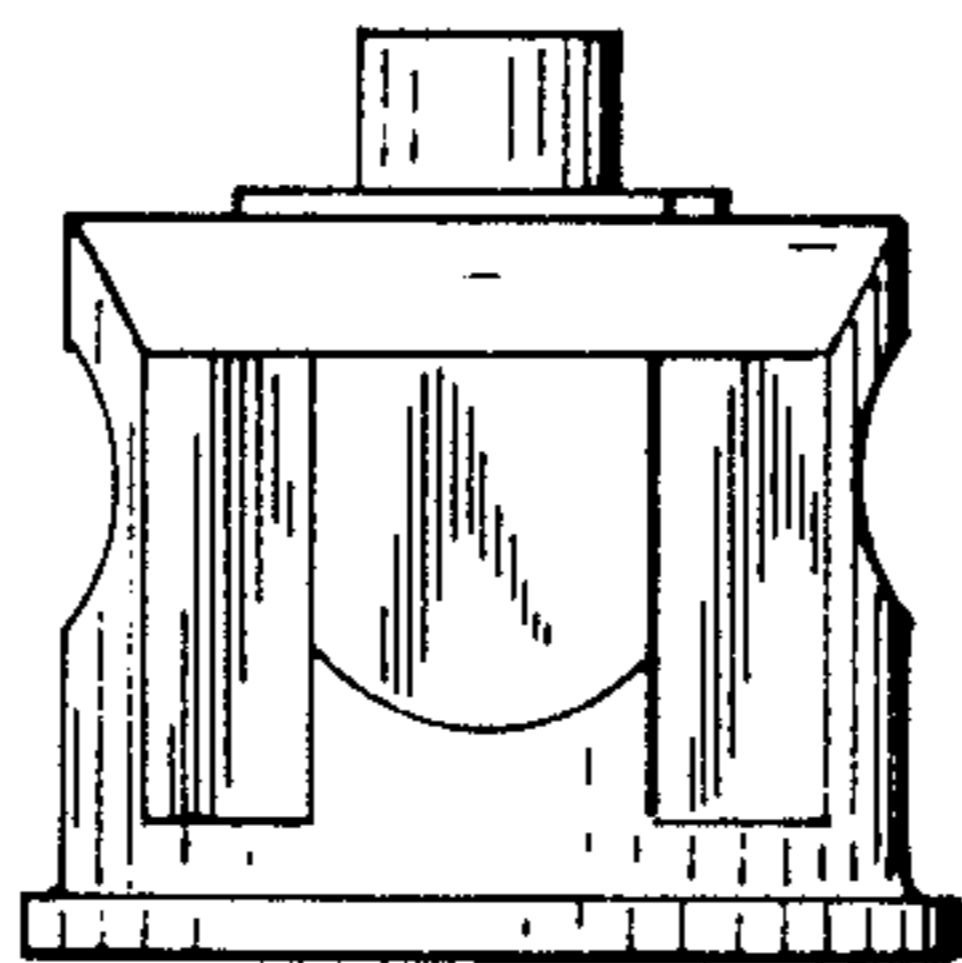


Fig. 5