

[54] **PRINTER**

[75] Inventors: **Richard G. Clayton, Detroit; Jerry J. Sims; Thomas W. Crump**, both of Southfield; **Richard E. Carell**, Plymouth, all of Mich.

[73] Assignee: **Burroughs Corporation**, Detroit, Mich.

[**] Term: **14 Years**

[21] Appl. No.: **929,212**

[22] Filed: **Jul. 28, 1978**

[51] Int. Cl. **D14-02**
[52] U.S. Cl. **D14/50**
[58] Field of Search **D14/40-50;**
D18/11, 13, 18, 22, 23; 400/70-76, 691, 693, 61,
62

[56]

References Cited

U.S. PATENT DOCUMENTS

3,490,572 1/1970 Smith 400/70 X

OTHER PUBLICATIONS

Mits Brochure Altair TM C-700 Printer, 8-1977.

Primary Examiner—Catherine E. Kemper

Attorney, Agent, or Firm—Edward J. Feeney, Jr.

[57]

CLAIM

The ornamental design for a printer, substantially as shown and described.

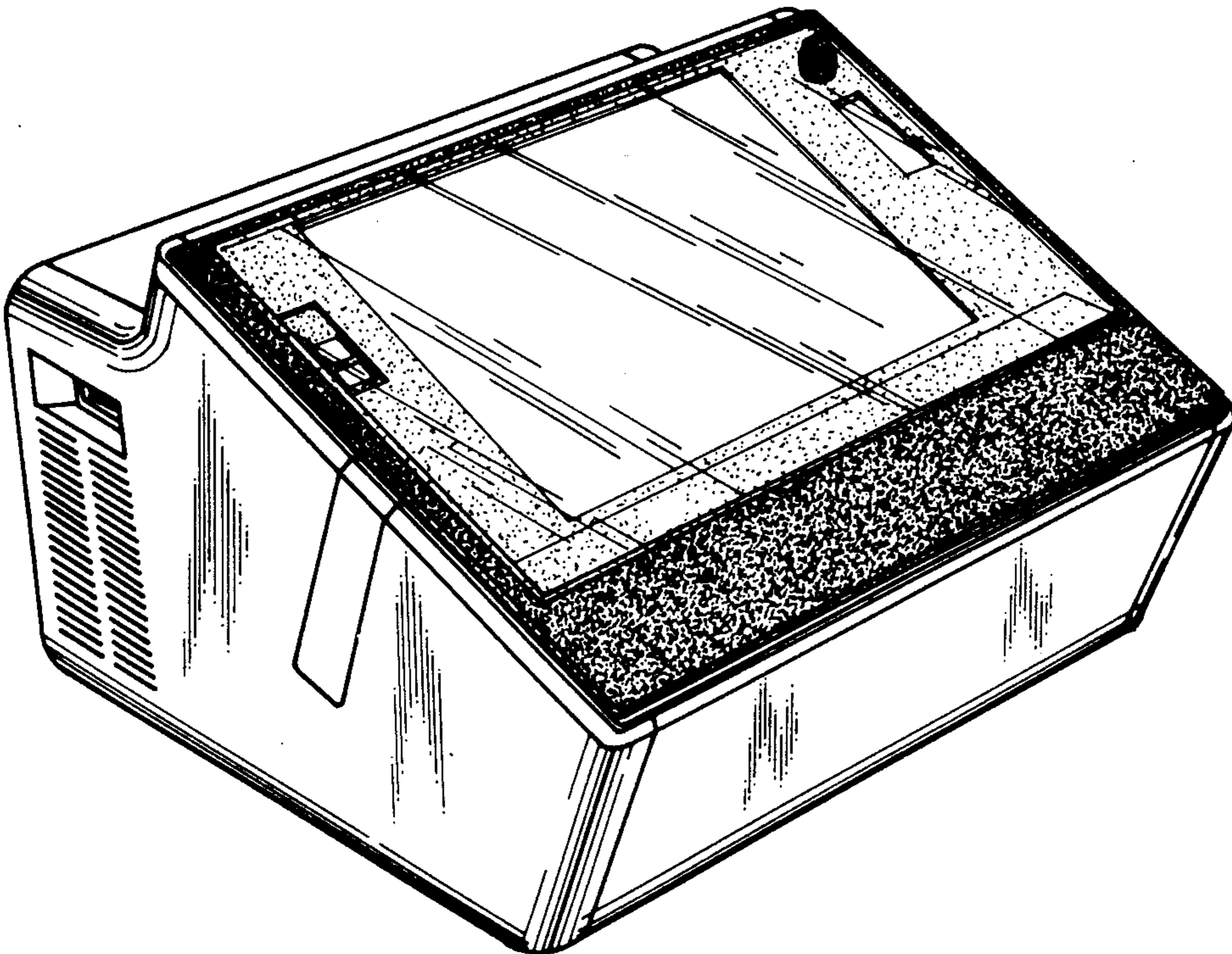
DESCRIPTION

FIG. 1 is a top-front-left side perspective view of a printer incorporating our new design;

FIG. 2 is a top-back-right side perspective view of the design of FIG. 1;

FIG. 3 is a top-front-left side perspective view of an alternative embodiment of the design of FIG. 1, wherein the provision for printing on oversize documents is deleted; and

FIG. 4 is a top-back-right side perspective view of the alternative embodiment of the design of FIG. 3.



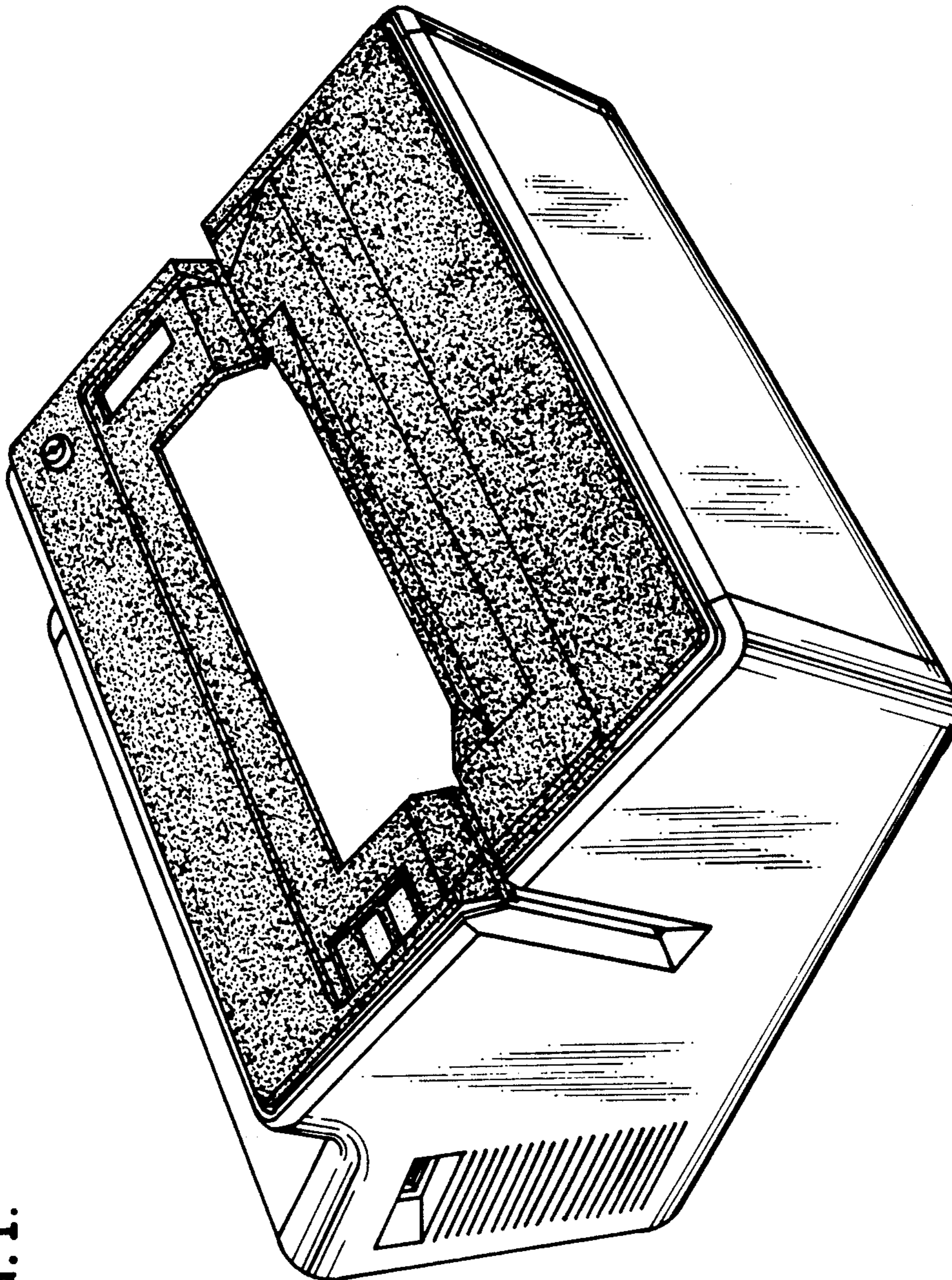


FIG. 1.

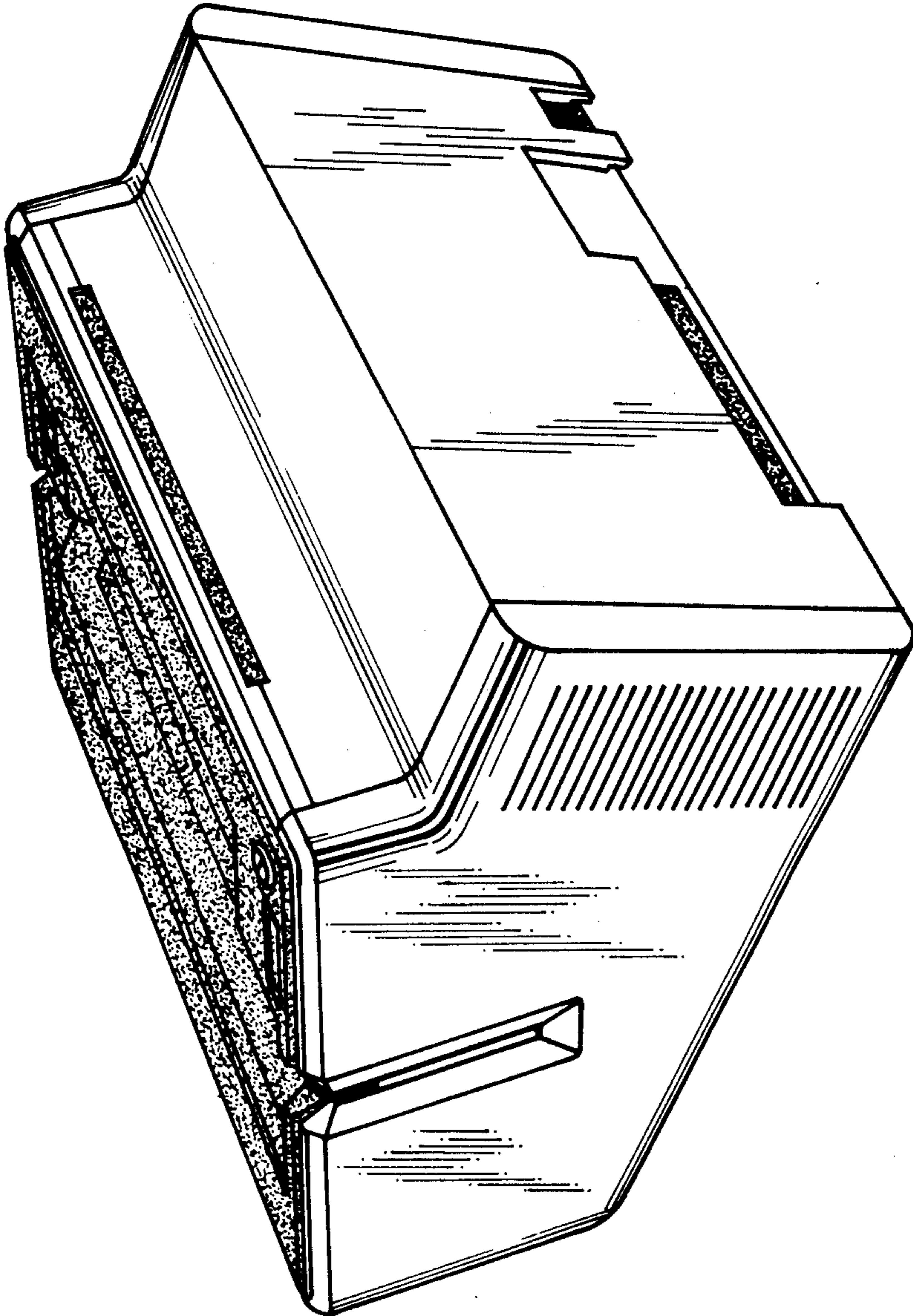


FIG. 2.

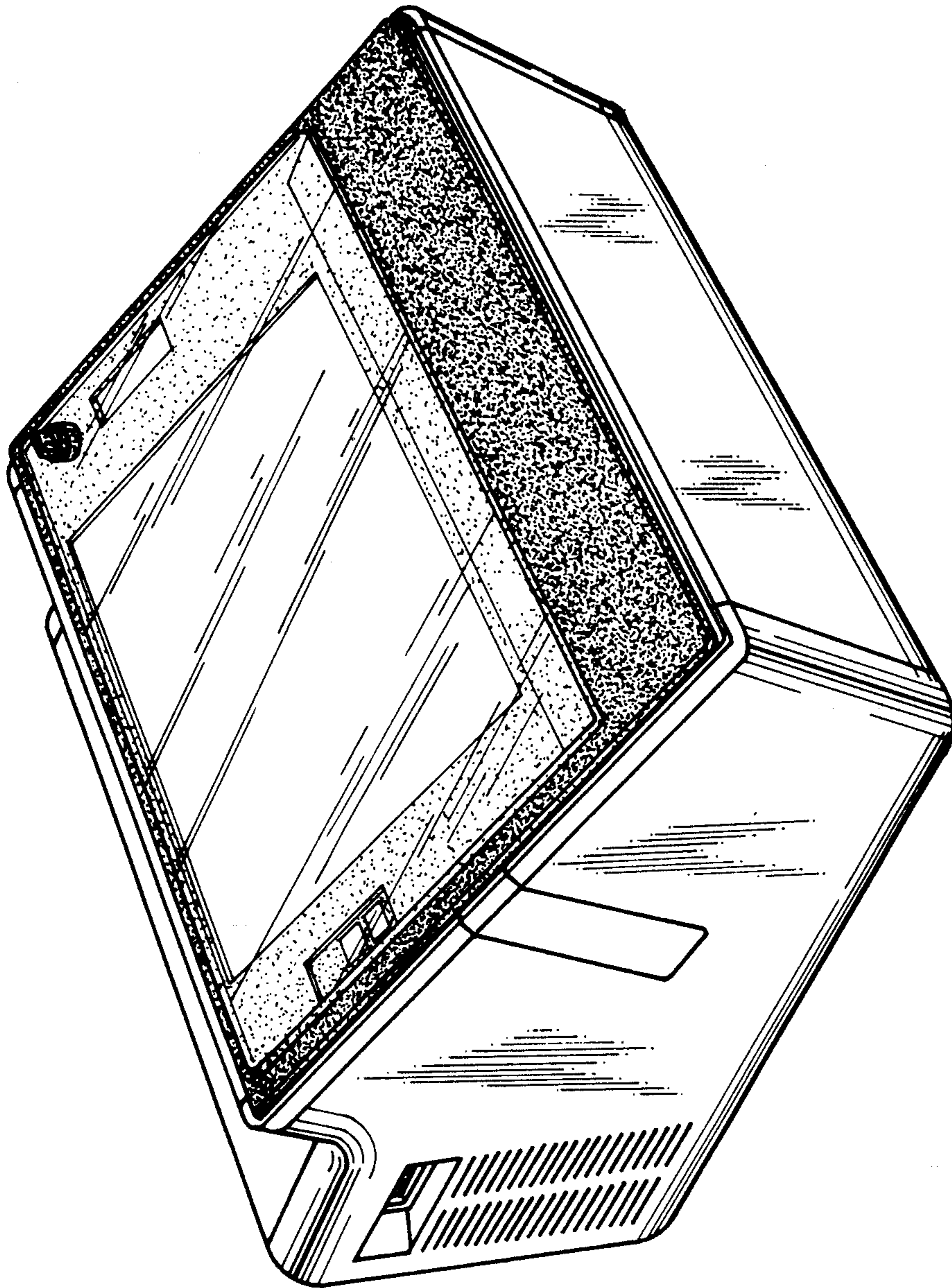


FIG. 3.

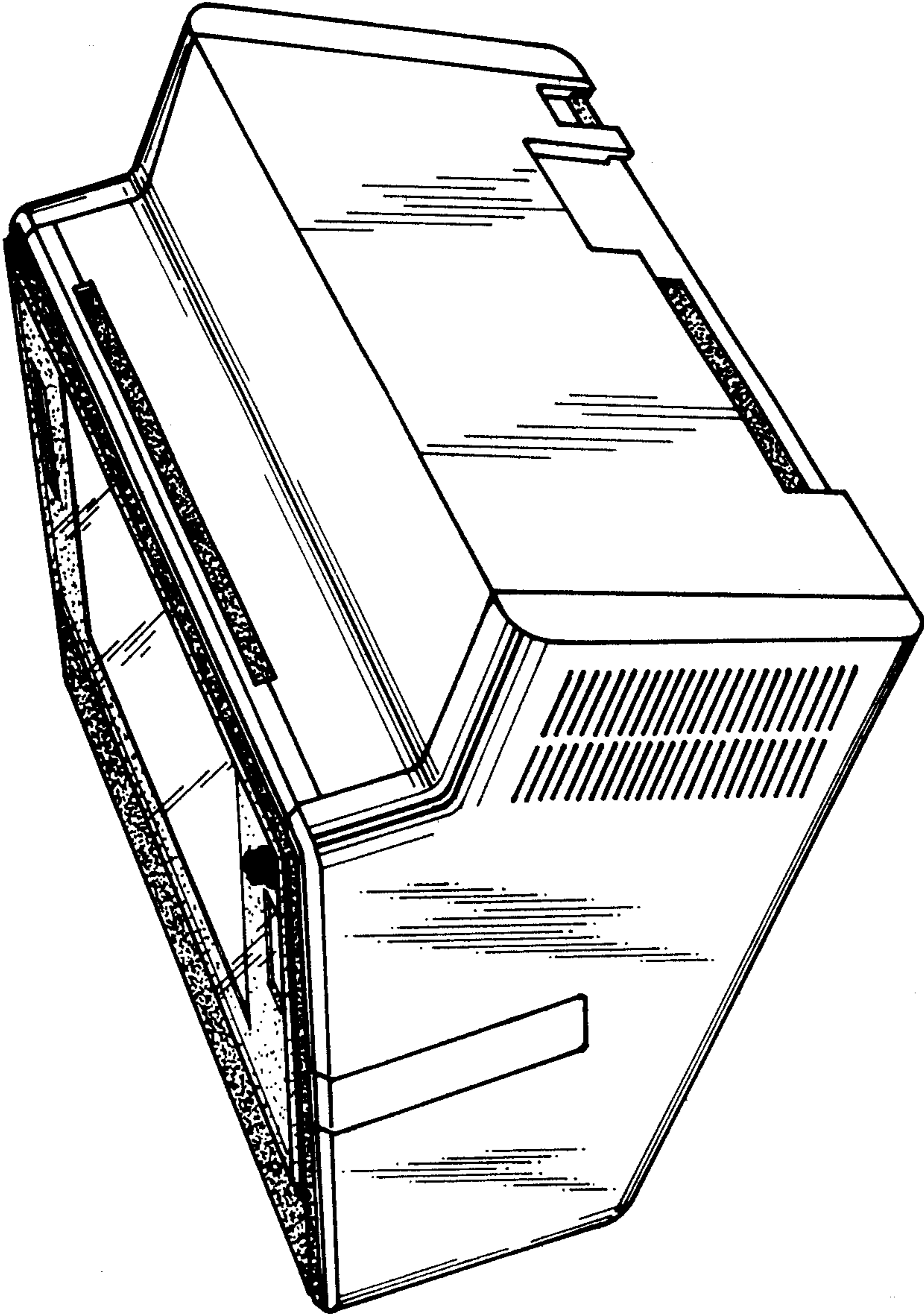


FIG. 4.