

[54] **KEYBOARD HOUSING**

[75] **Inventors:** Ernest M. Bevilacqua, Wilton; Gordon P. Bruce, New Milford; David C. Danielson, Rowayton, all of Conn.; Daniel J. Formosa, Fort Lee, N.J.; Allen D. Hawthorne, New Canaan, Conn.; Eliot F. Noyes deceased, late of New Canaan, Conn., by Mary D. Noyes, executrix; by Peter C. Holcombe, Milton, Mass., for New England Merchants National Bank, executor; Kurt Roehrs, Clintondale, N.Y.; Paul F. Siegel, Norwalk, Conn.

[73] **Assignee:** Discovision Associates, Costa Mesa, Calif.

[\*\*] **Term:** 14 Years

[21] **Appl. No.:** 908,595

[22] **Filed:** May 22, 1978

[51] **Int. Cl.** ..... D14-02

[52] **U.S. Cl.** ..... D14/45

[58] **Field of Search** ..... D14/40-51; D18/1, 2, 5-8, 11-13, 23; 235/145 R, 145 A, 146, 1 D; 340/365 R, 365 VL; 364/708

[56] **References Cited**

**U.S. PATENT DOCUMENTS**

D. 202,555	10/1965	Mevnier	.....	D14/45
D. 222,472	10/1971	Jacobson	.....	D14/45
3,017,089	1/1962	Reynolds	.....	235/145 R
4,119,839	10/1978	Beckman et al.	.....	235/146 X

*Primary Examiner*—Peter Feldman

*Attorney, Agent, or Firm*—Ronald J. Clark; W. S. Robertson

[57] **CLAIM**

The ornamental design for a keyboard housing, as shown and described.

**DESCRIPTION**

FIG. 1 is a front right perspective of a keyboard housing with the cover in the open position, showing our new design;

FIG. 2 is a plan view thereof;

FIG. 3 is a right side elevation thereof;

FIG. 4 is a back elevation thereof; and

FIG. 5 is a front elevation thereof with the cover in the closed position, the top surface of the housing and cover being flat and unornamented.

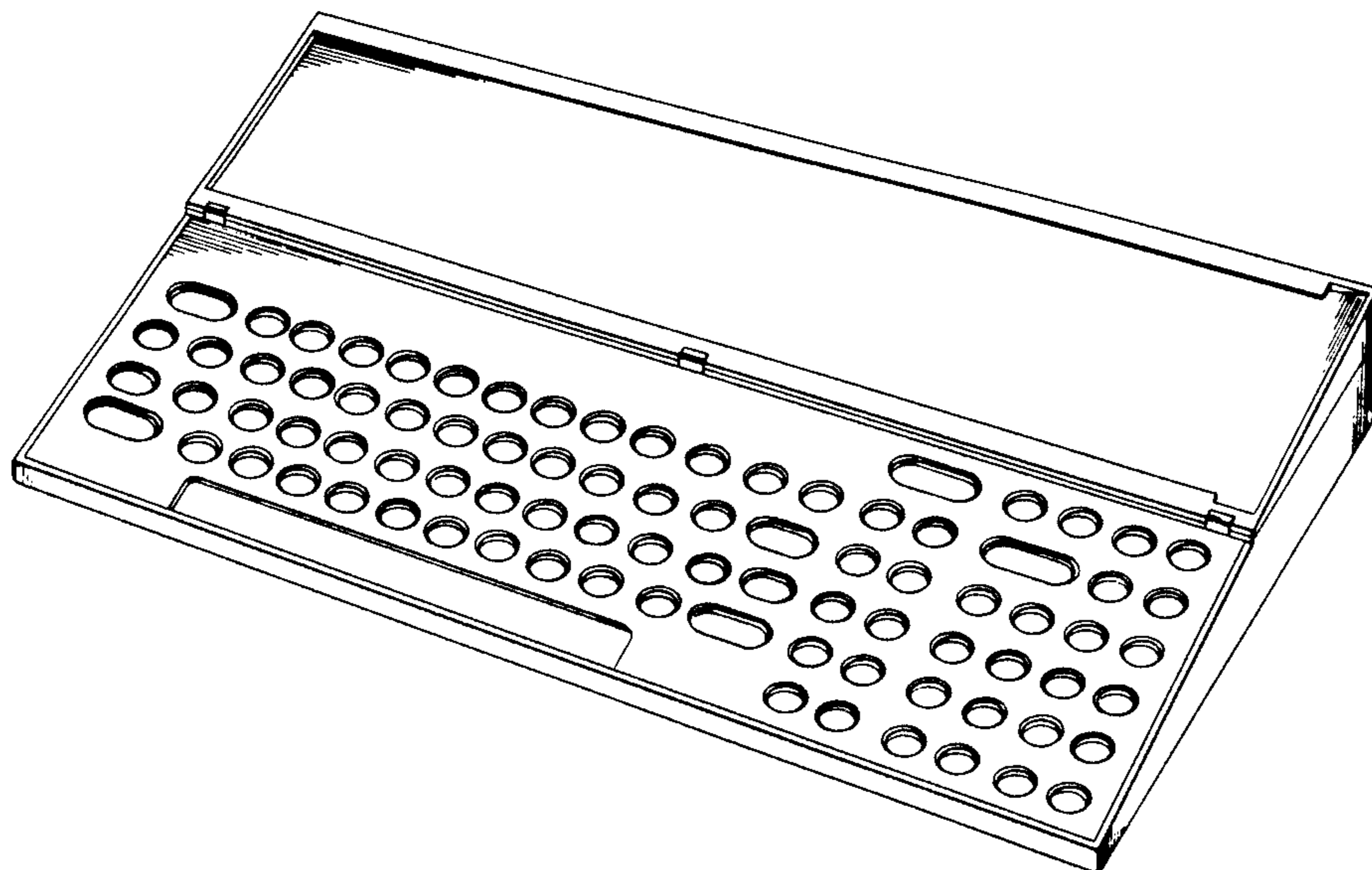


FIG. 1

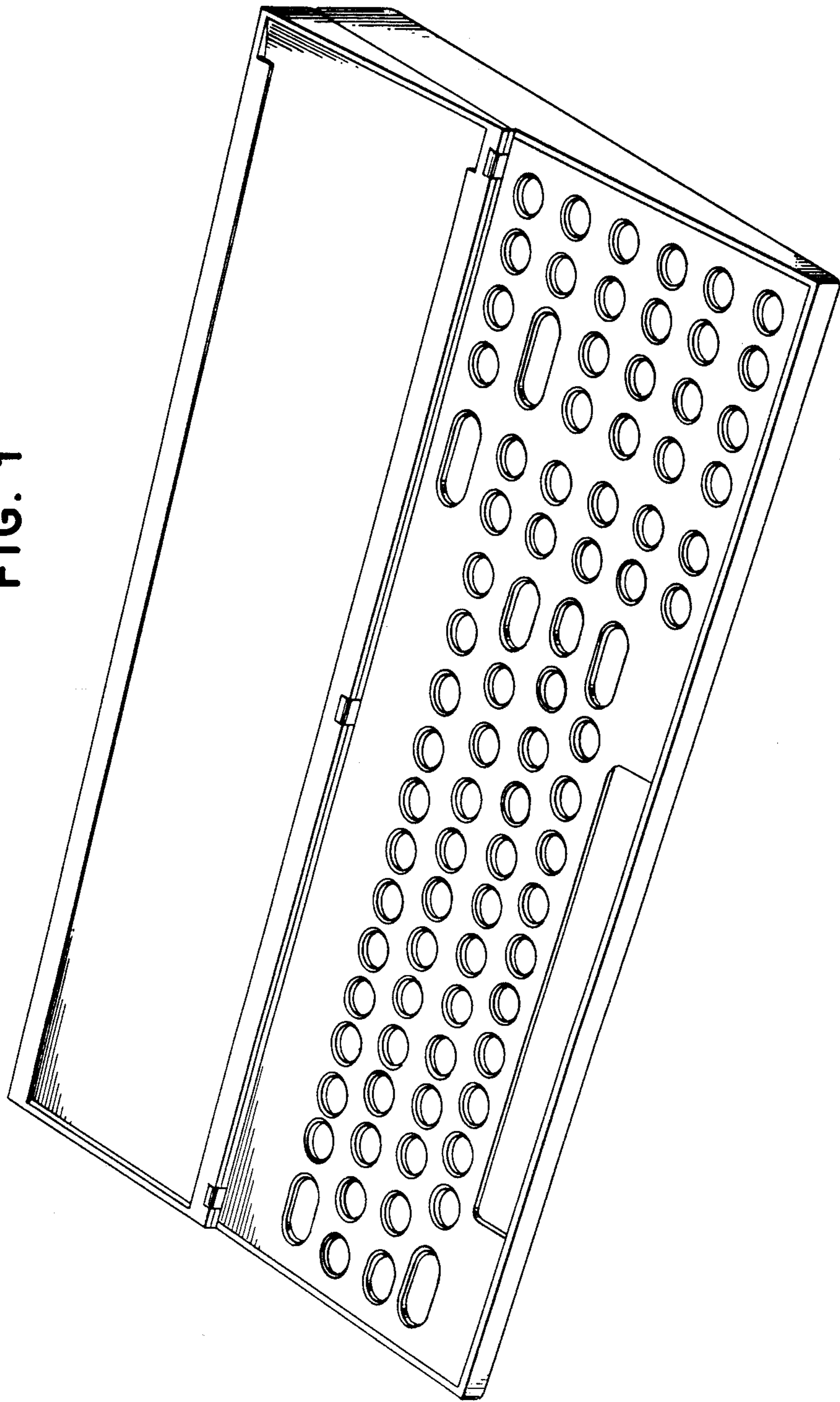


FIG. 2

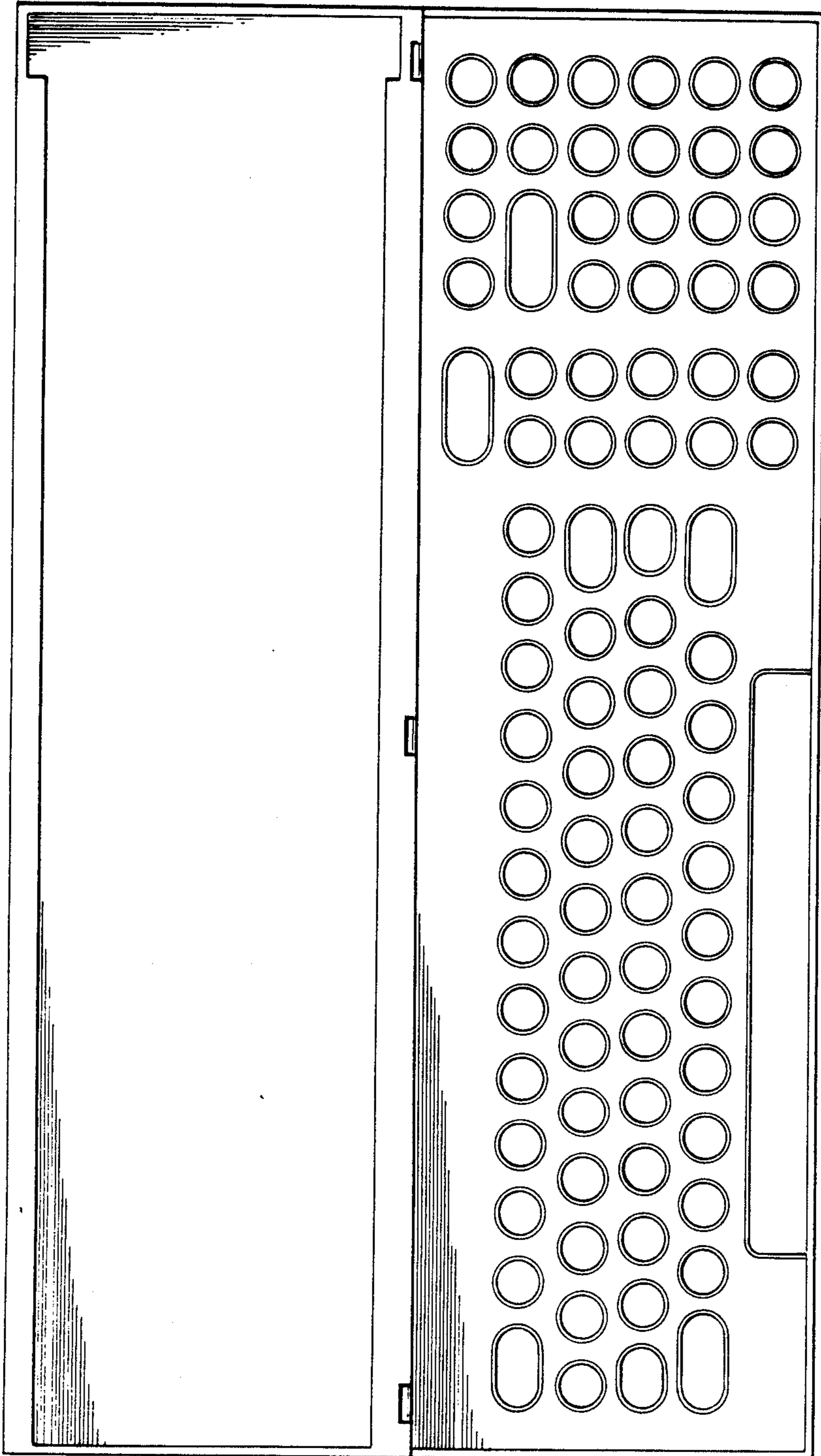


FIG. 3

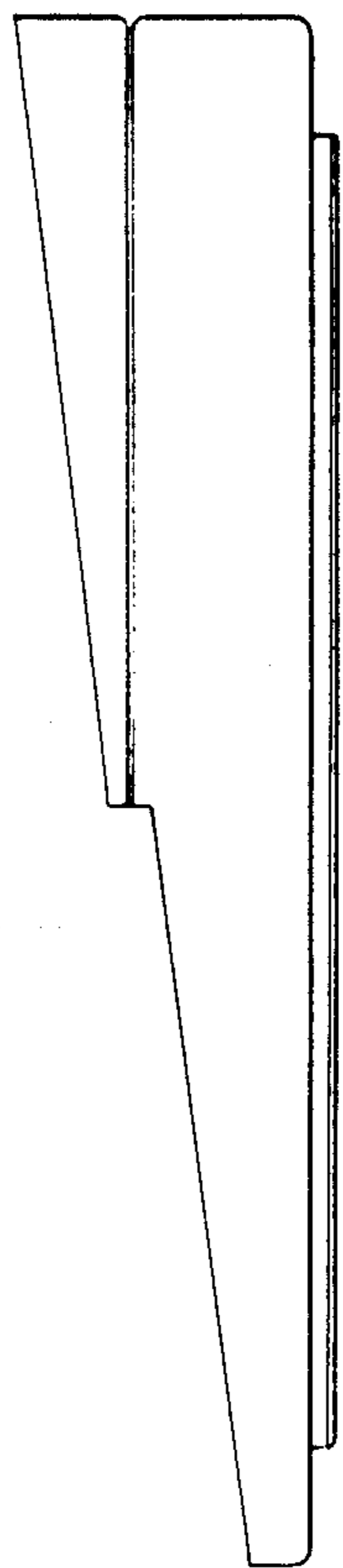


FIG. 4

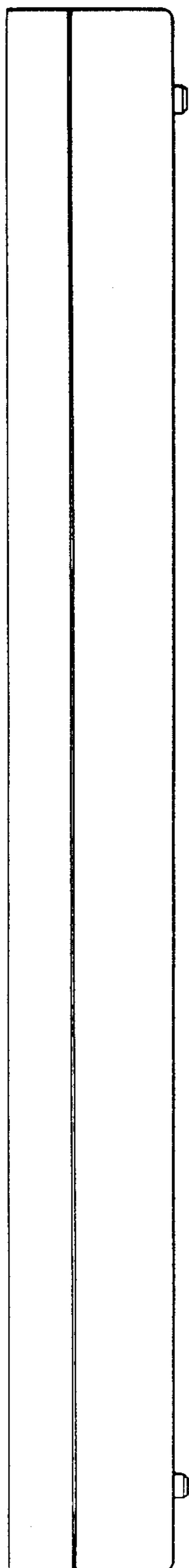


FIG. 5

