

[54] CURSOR CONTROL FOR A DISPLAY SYSTEM

[75] Inventor: Nicholas M. Leon, Winchester, England

[73] Assignee: International Business Machines Corporation, Armonk, N.Y.

[**] Term: 14 Years

[21] Appl. No.: 933,710

[22] Filed: Aug. 15, 1978

[30] Foreign Application Priority Data

Feb. 28, 1978 [GB] United Kingdom 983530/78

[51] Int. Cl. D13-03; D14-02

[52] U.S. Cl. D13/12; D14/40

[58] Field of Search D13/11, 32, 12, 37; 200/5 R, 5 A, 5 D, 5 E, 5 F, 6 R, 6 A, 17 R, 293, 299, 302, 303; 74/471 XY; D14/40, 42, 45

[56] References Cited

U.S. PATENT DOCUMENTS

3,370,915 11/1973 Bennett et al. 200/6 A
3,395,260 7/1968 Hamlin 200/302

OTHER PUBLICATIONS

Cromemco Computer Peripherals Catalog, 1976, p. 8, Joystick Console.

Primary Examiner—Susan J. Lucas
Attorney, Agent, or Firm—Edward S. Gershuny

[57] CLAIM

The ornamental design for a cursor control for a display system, as shown.

DESCRIPTION

FIG. 1 is a front right perspective of my design for a cursor control for a display system;

FIG. 2 is a side elevation of my design for a display system of FIG. 1;

FIG. 3 is a plan view of my design for a display system of FIG. 1;

FIG. 4 is a rear elevation of my design for a display system of FIG. 1;

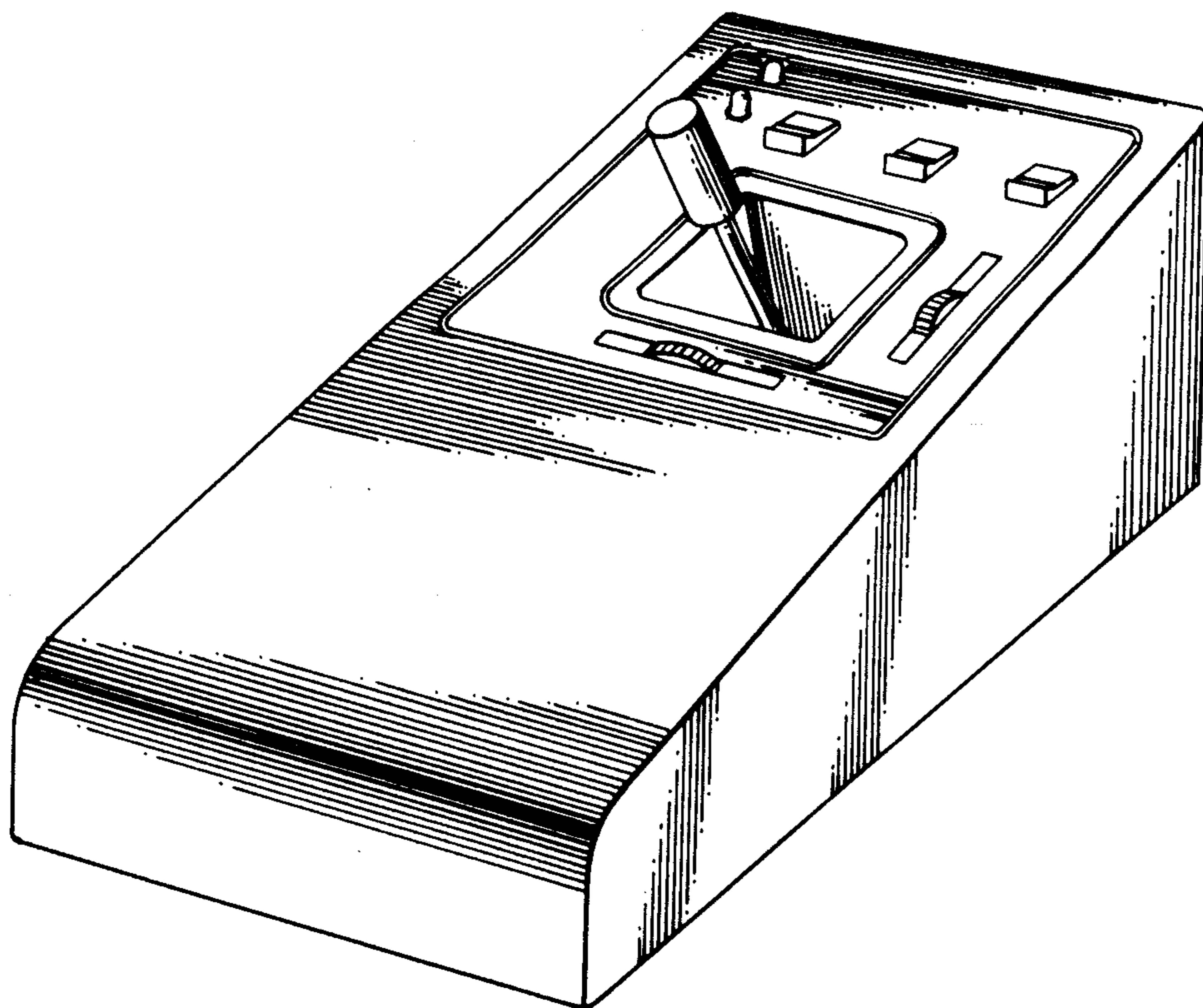


FIG. 1

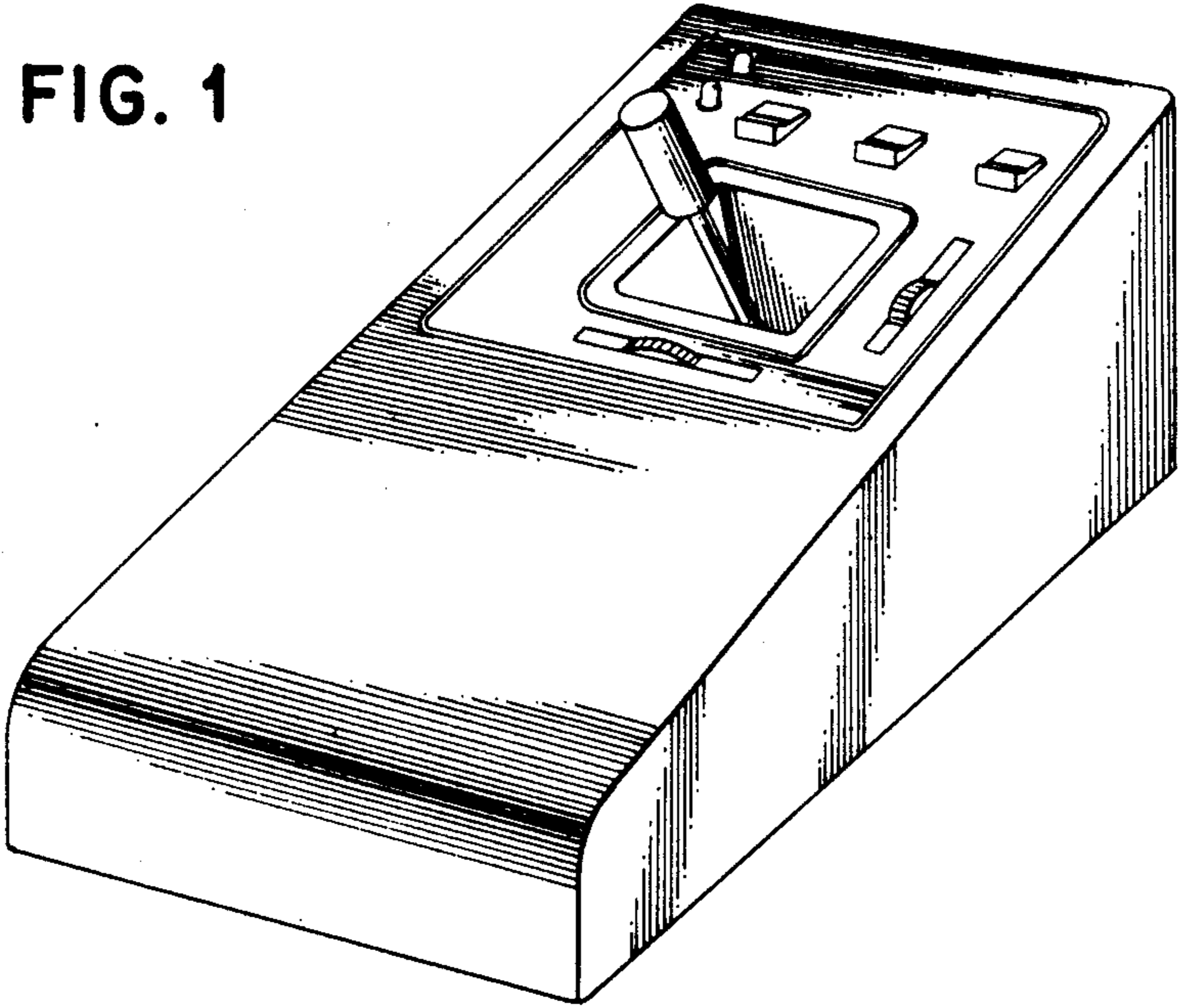


FIG. 2

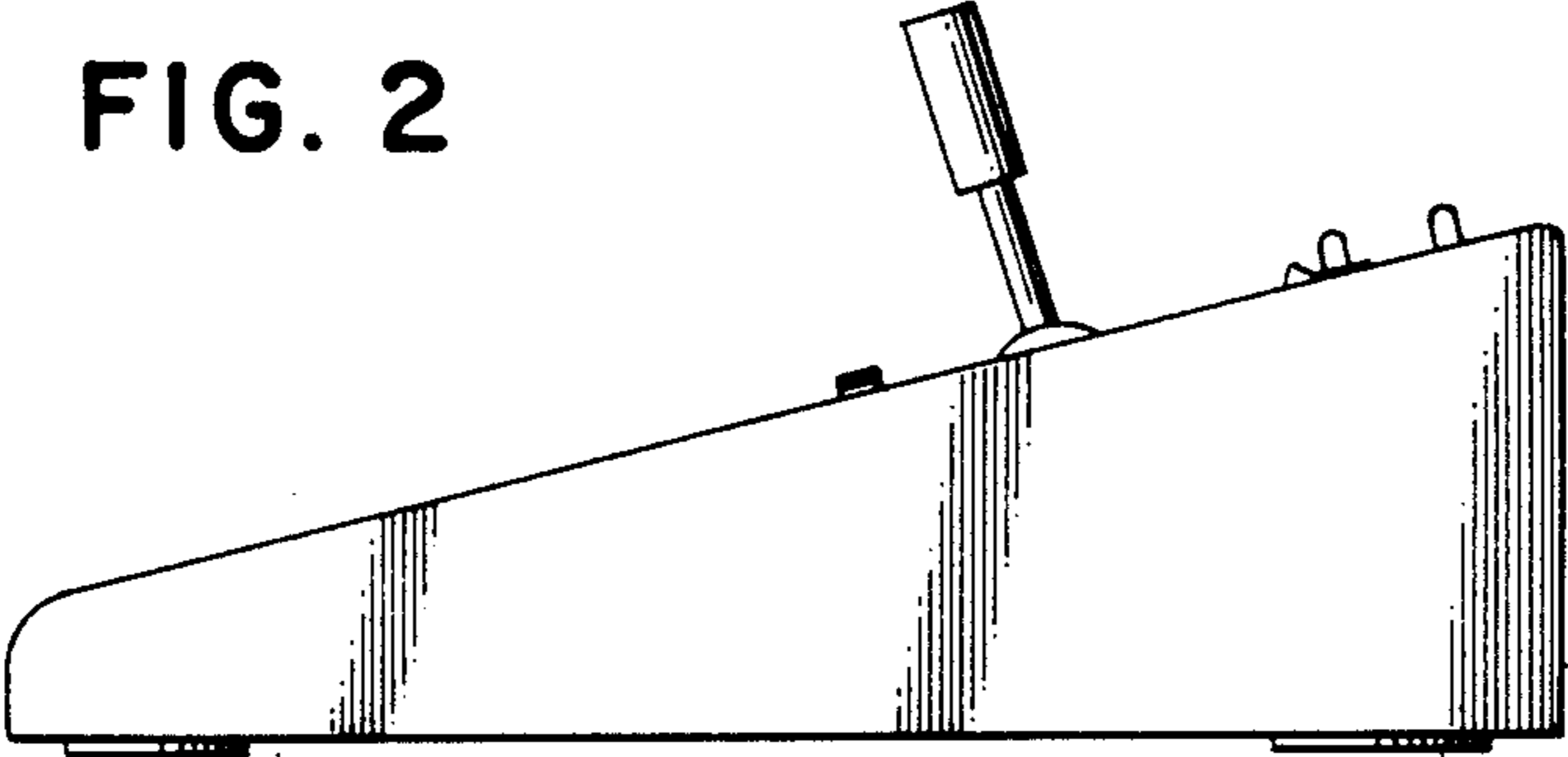


FIG. 3

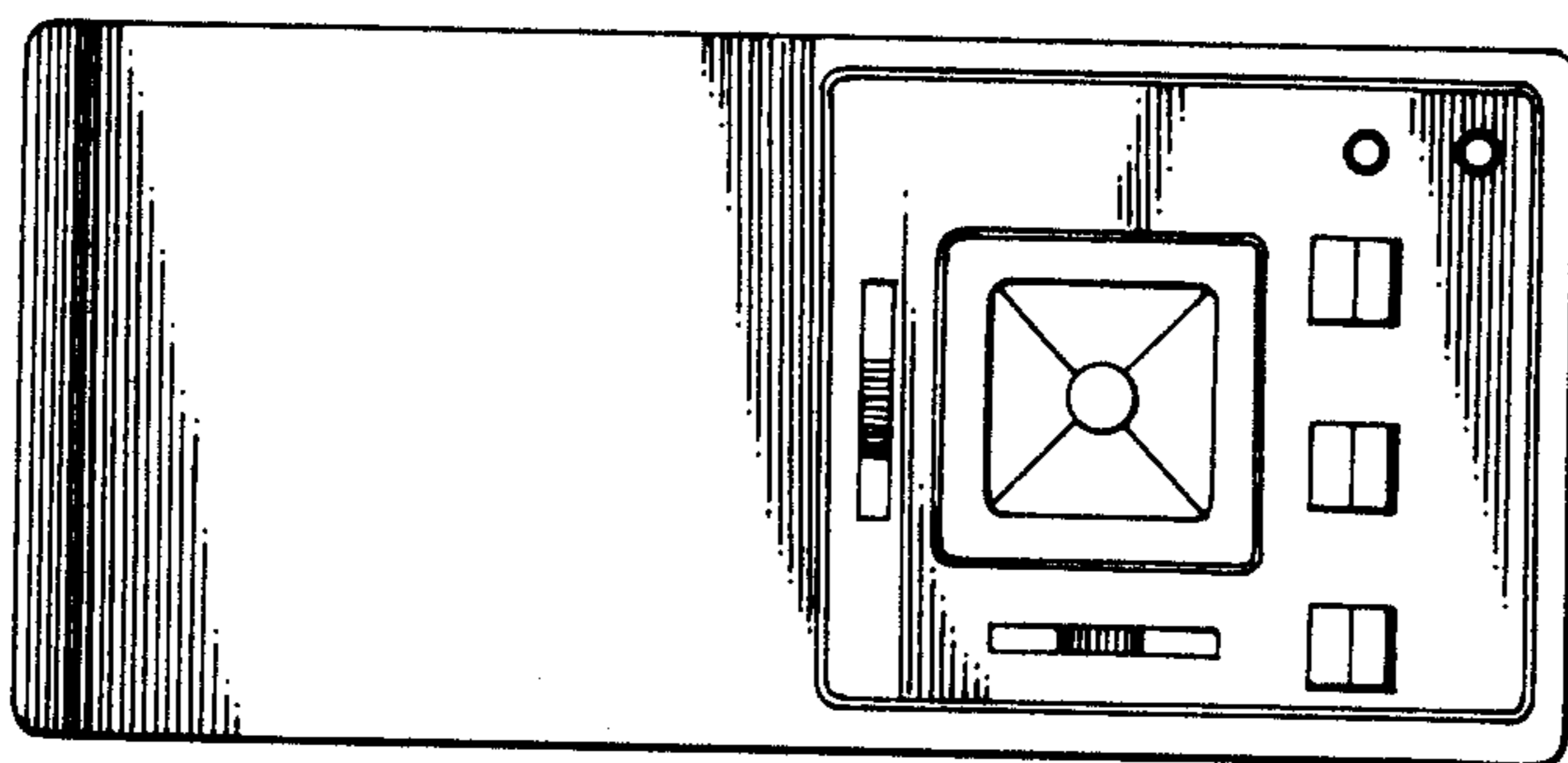


FIG. 4

