

[54] TRAVEL TRAILER

[76] Inventor: Howard White, 3908 Cherry St., Mound, Minn. 55364

[**] Term: 14 Years

[21] Appl. No.: 947,712

[22] Filed: Oct. 2, 1978

[51] Int. Cl. D12-10

[52] U.S. Cl. D12/103

[58] Field of Search D12/103, 104; 296/168, 296/156

[56] References Cited

U.S. PATENT DOCUMENTS

D. 144,748 5/1946 Weissberg 296/168

OTHER PUBLICATIONS

Popular Science, 3/76, p. 100, Trillium Industries Trailer, bottom right side of page.

R. V. Dealer, 5/73, p. 197, Tote 'N Tary Trailer, top of page.

Primary Examiner—James M. Gandy

Attorney, Agent, or Firm—James R. Cwayna

[57] CLAIM

The ornamental design for a travel trailer, as shown.

DESCRIPTION

FIG. 1 is a side elevation view of a travel trailer showing my new design;

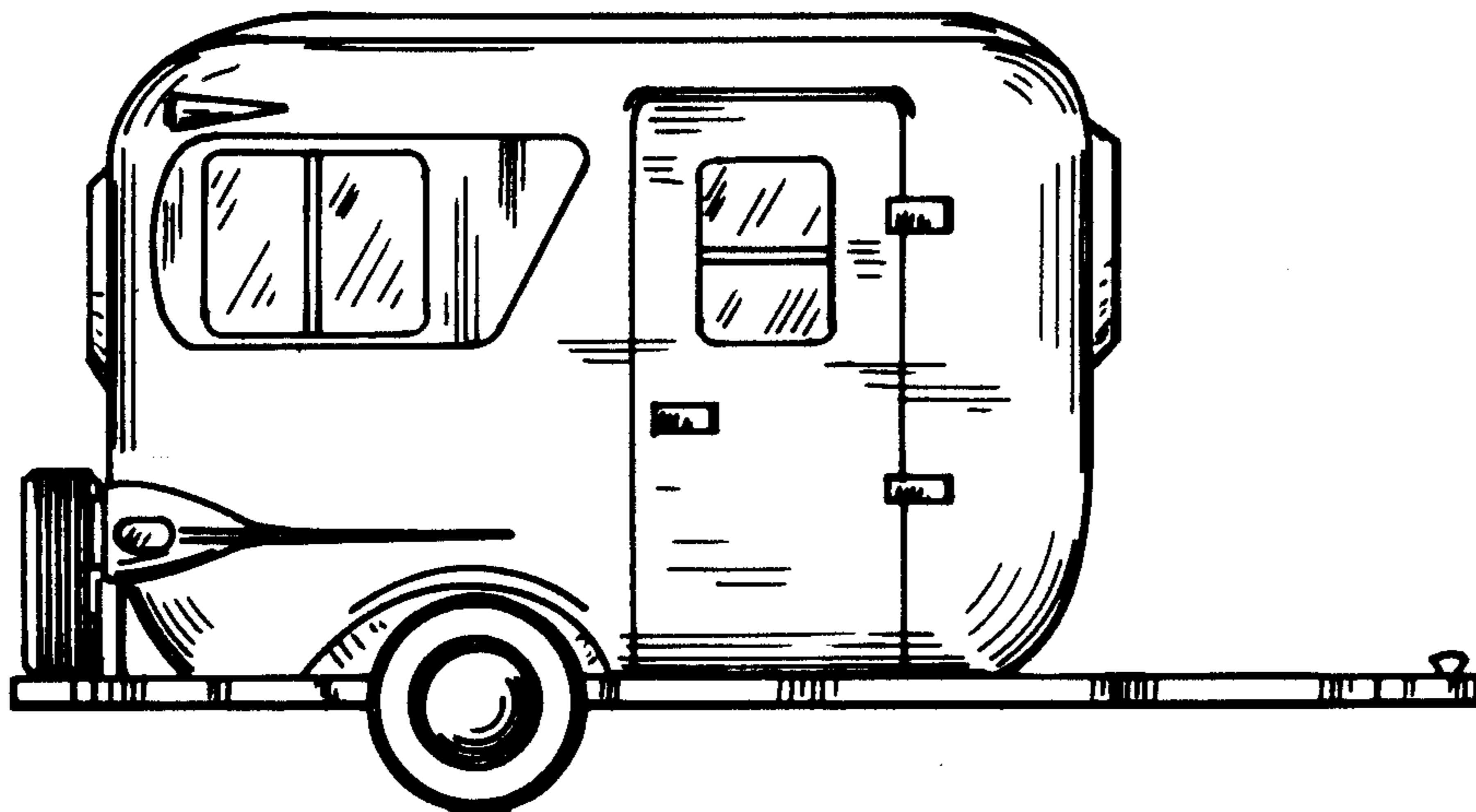
FIG. 2 is a front elevation view thereof;

FIG. 3 is a side elevation view thereof opposite to that shown in FIG. 1;

FIG. 4 is a rear elevation view thereof;

FIG. 5 is a top plan view thereof; and,

FIG. 6 is a bottom plan view thereof.



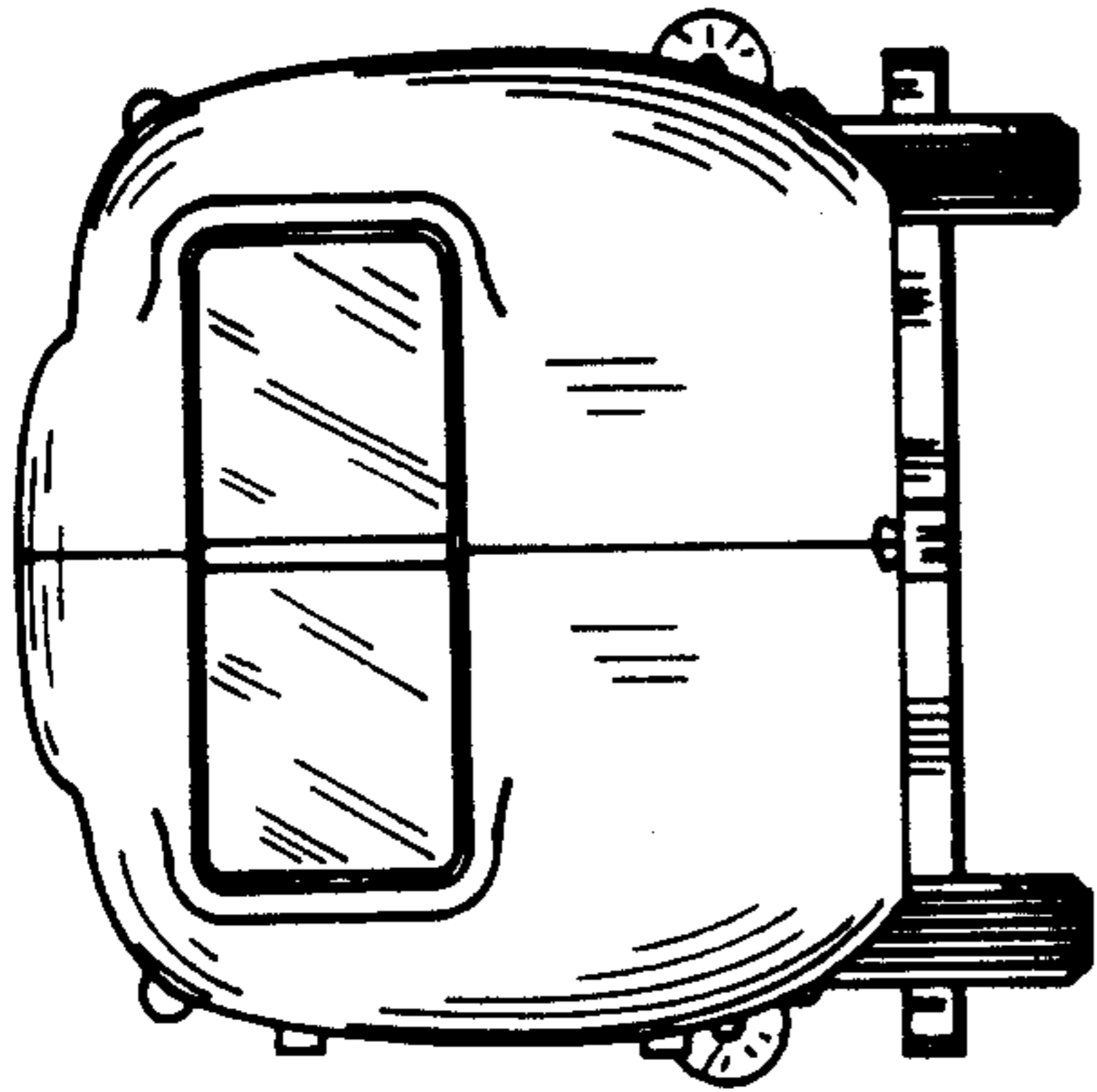


FIG. 2

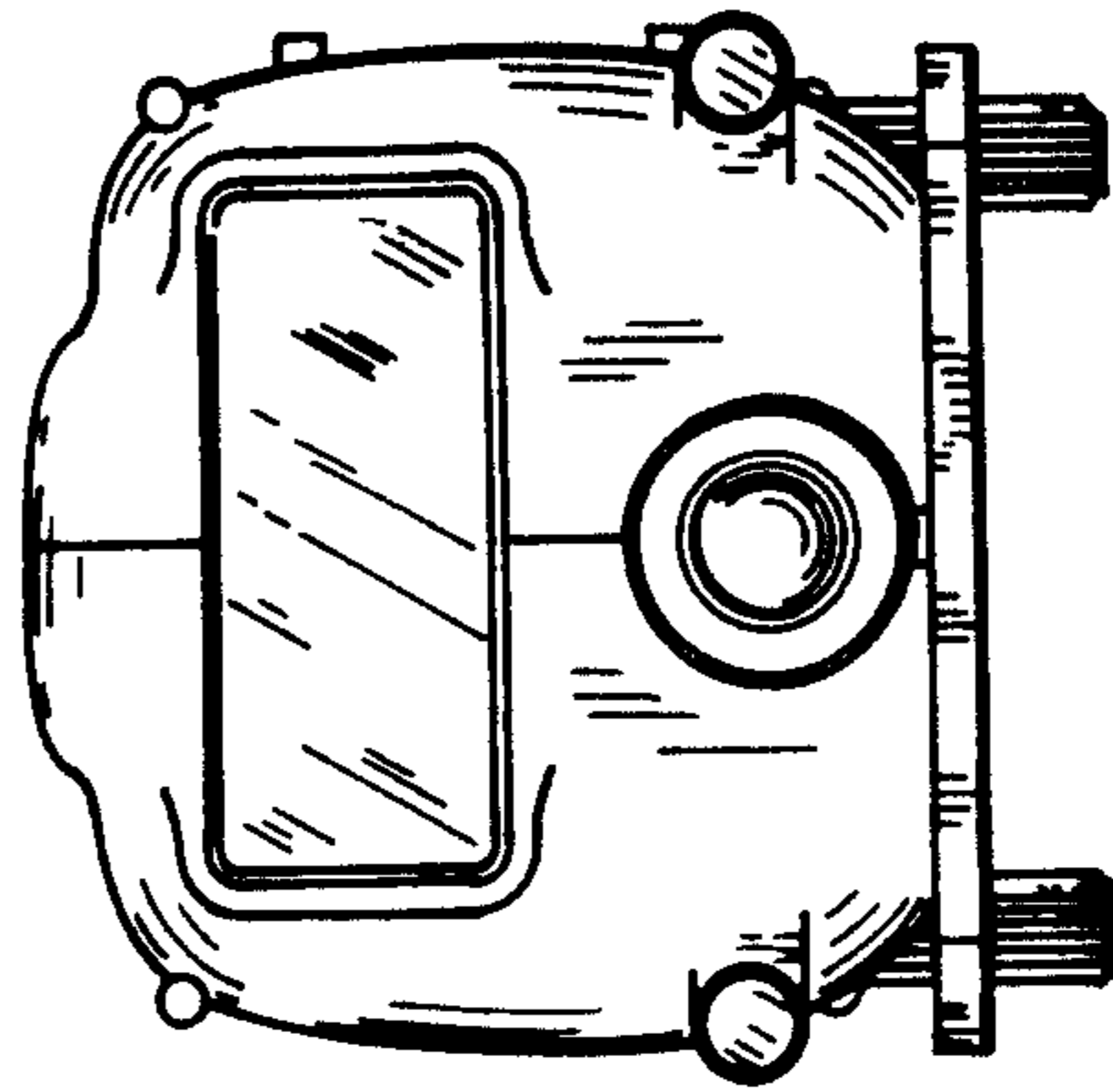


FIG. 4

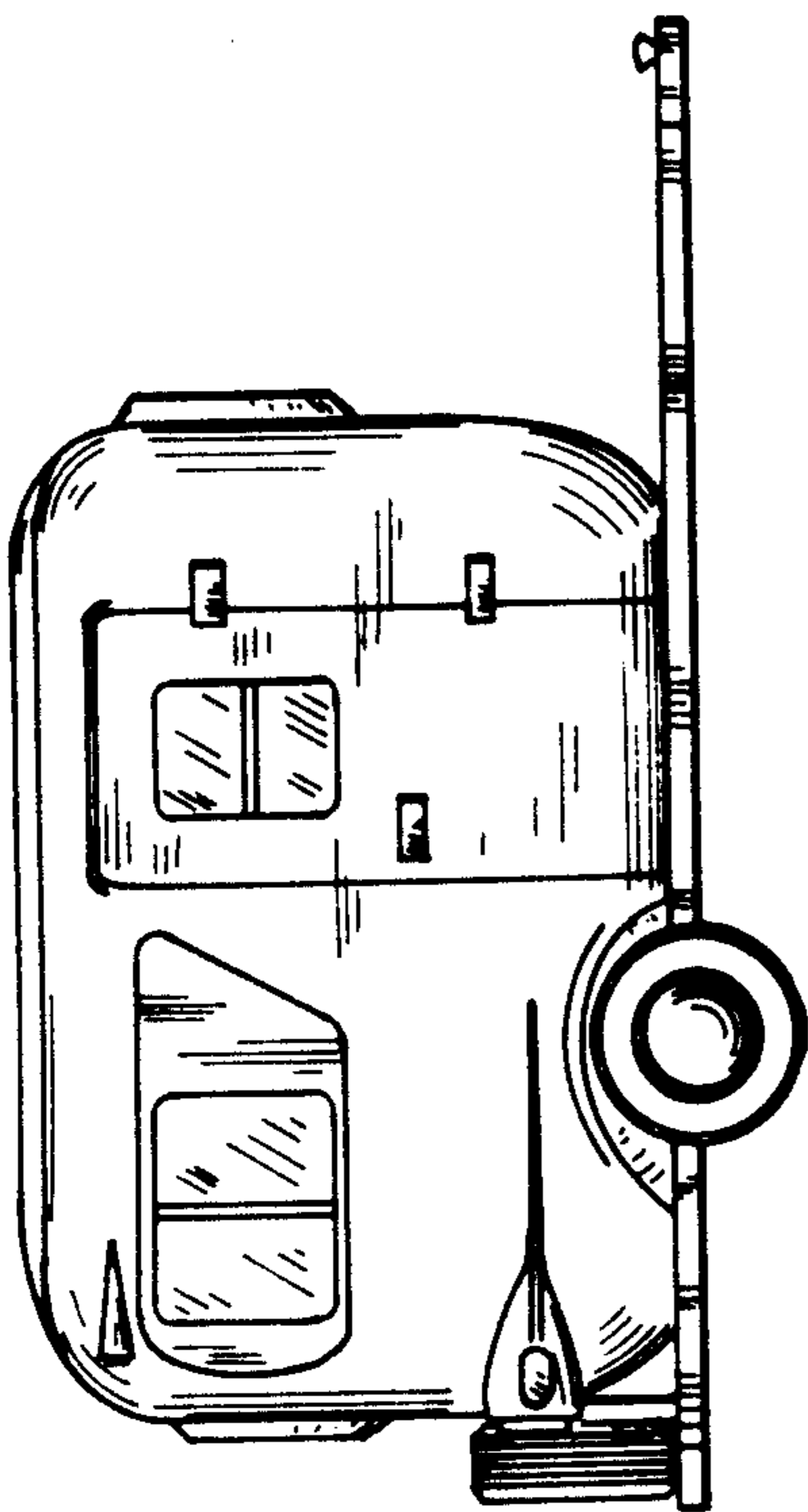


FIG. 1

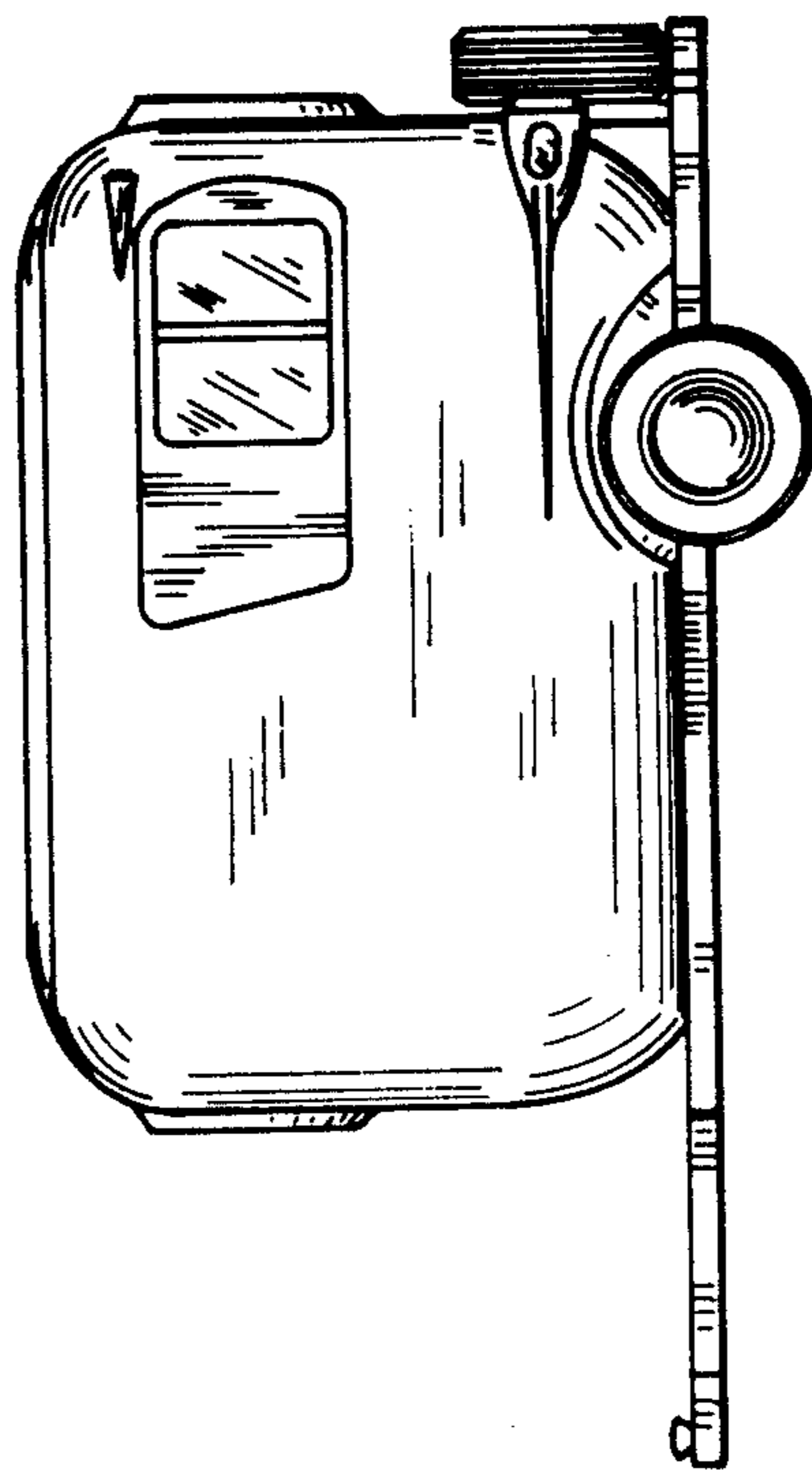


FIG. 3

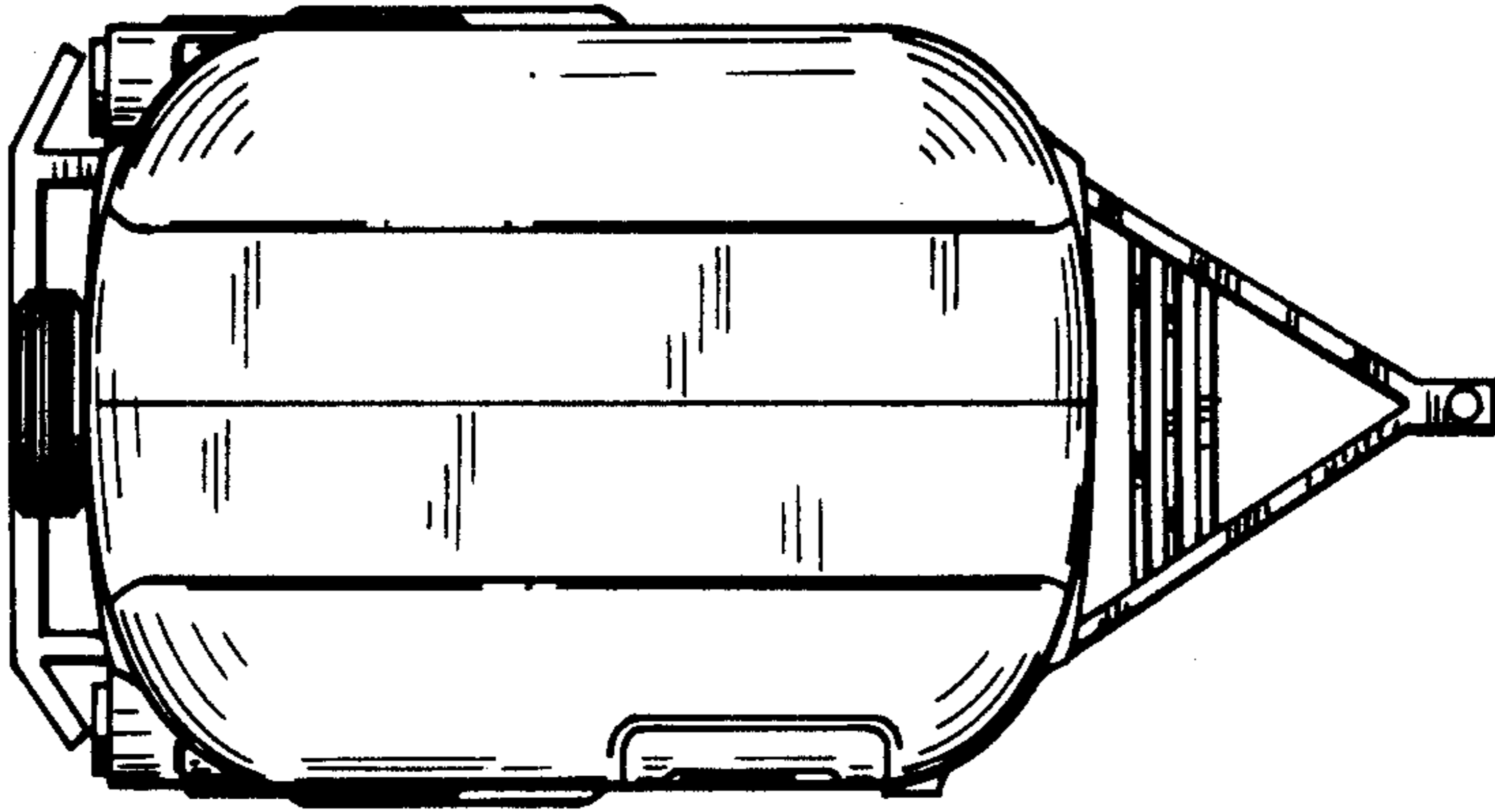


FIG. 5

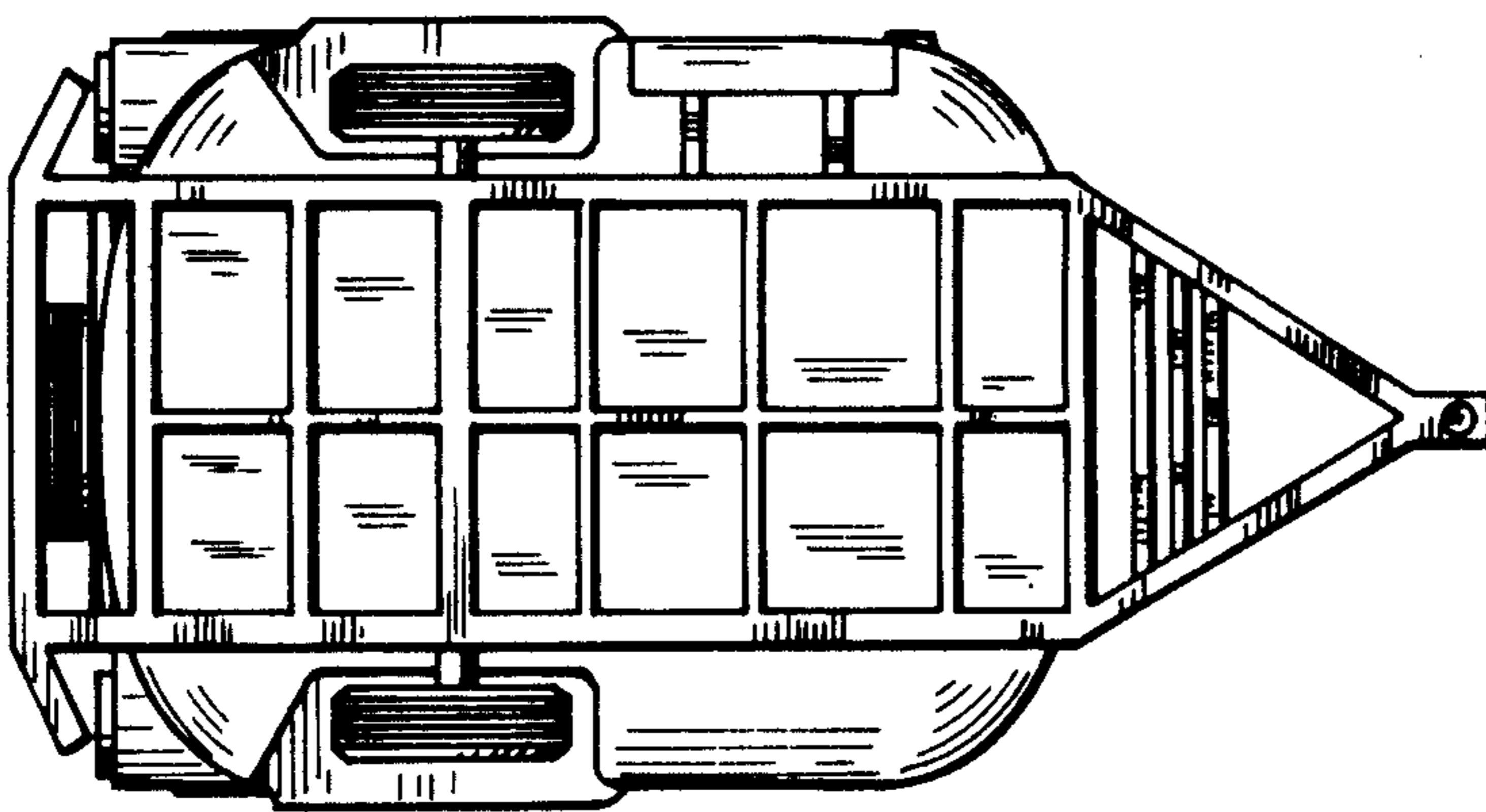


FIG. 6