

[54] SMOKE DETECTOR

[75] Inventor: William W. Ng, Pasadena, Calif.

[73] Assignee: Electronic Security Systems, Inc., Houston, Tex.

[**] Term: 14 Years

[21] Appl. No.: 893,486

[22] Filed: Apr. 4, 1978

[51] Int. Cl. D10-05

[52] U.S. Cl. D10/106

[58] Field of Search D10/104, 106, 121; D23/112, 114, 119; 340/541, 542, 545, 546, 551, 552, 565, 577, 581, 584, 586, 628, 629

[56] References Cited

U.S. PATENT DOCUMENTS

D. 240,120	6/1976	Pasqualette	D10/116
D. 246,635	12/1977	Boldt et al.	D10/106
D. 246,958	1/1978	Rakocy et al.	D10/106
D. 249,481	9/1978	Conforti et al.	D10/106

Primary Examiner—W. Stallard

Attorney, Agent, or Firm—Christie, Parker & Hale

[57] CLAIM

The ornamental design for a smoke detector, substantially as shown and described.

DESCRIPTION

FIG. 1 is a perspective view of the smoke detector according to the present invention; FIG. 2 is a front elevational view of the smoke detector; FIG. 3 is a top plan view of the smoke detector; and FIG. 4 is a bottom plan view of the smoke detector.

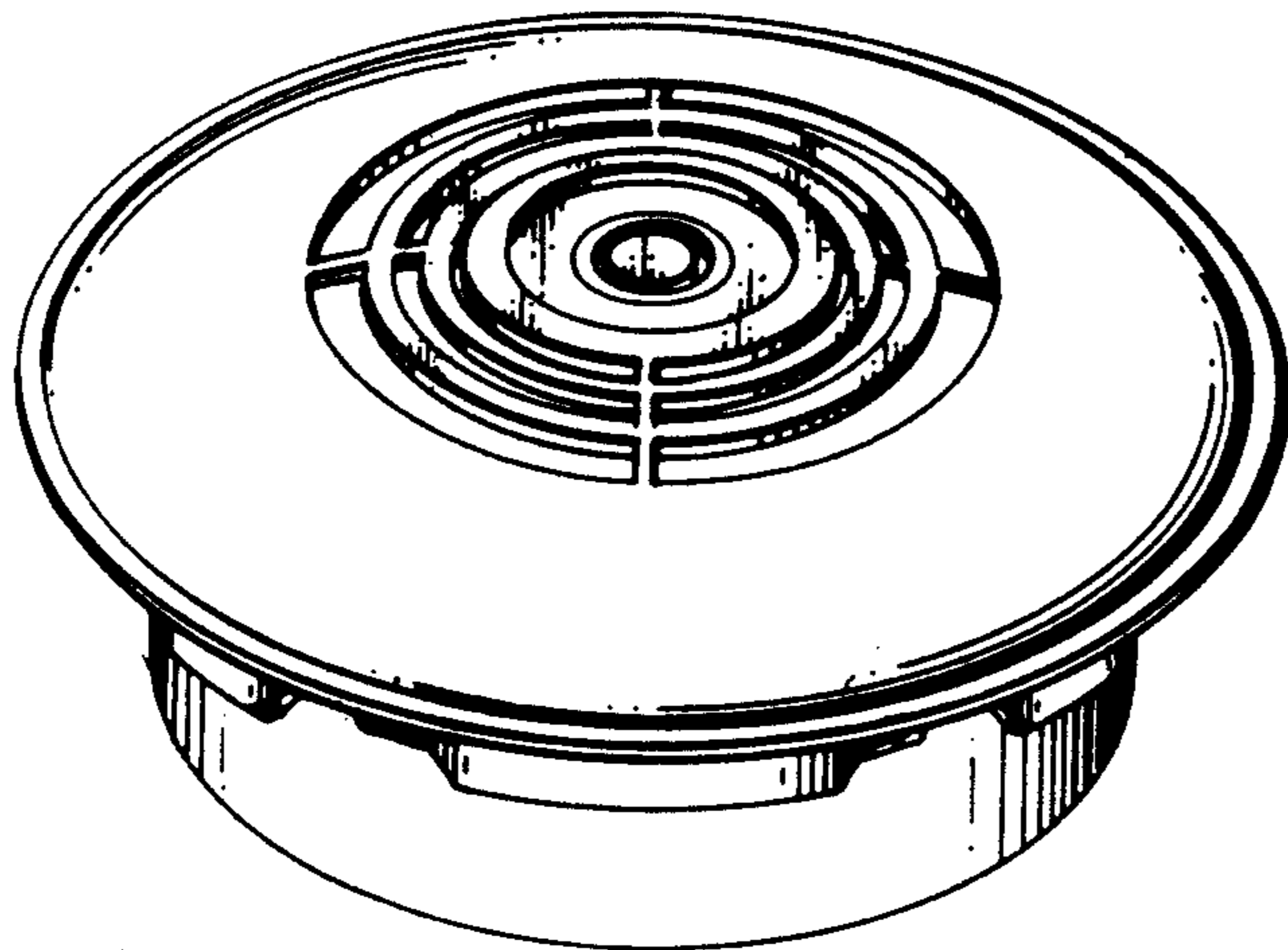


Fig. 1

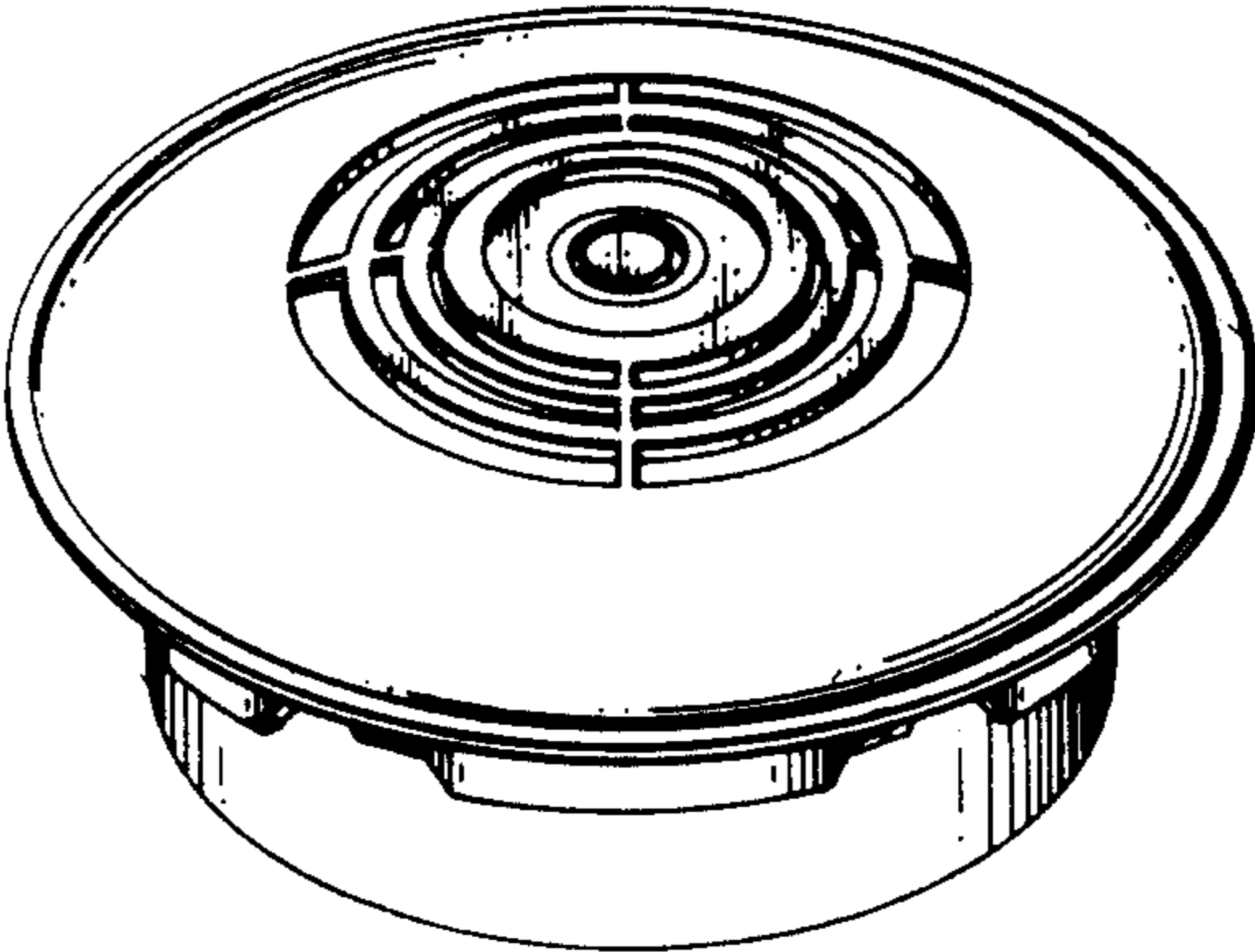


Fig. 2

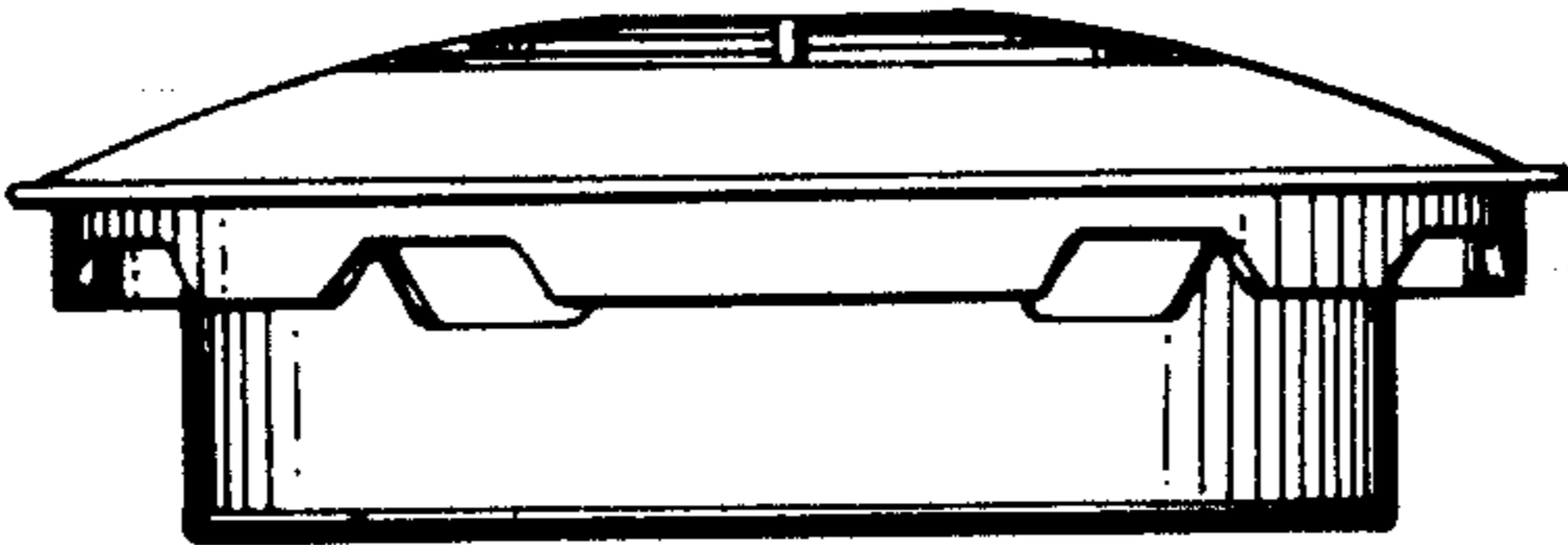


Fig. 3

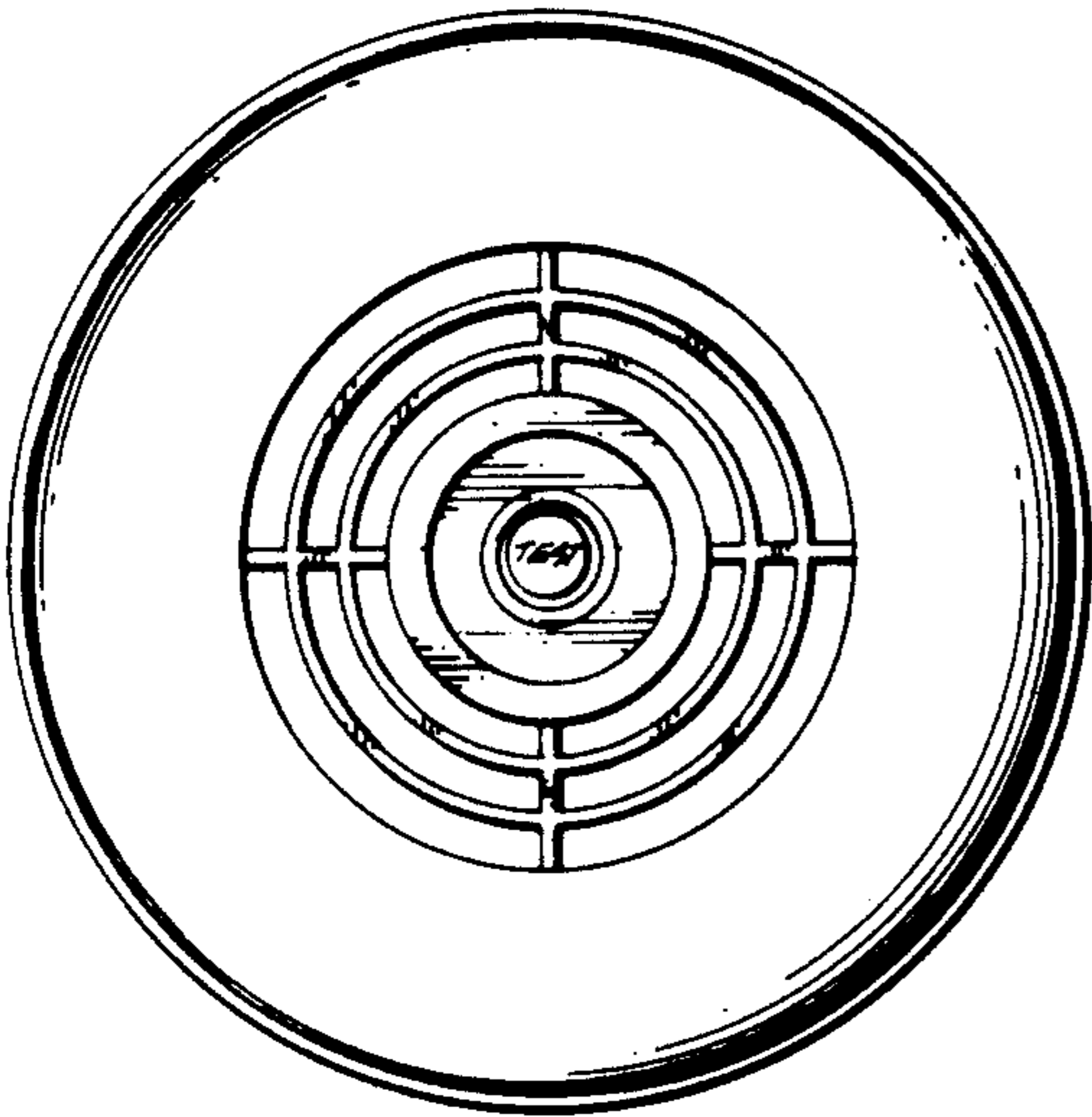


Fig. 4

