

[54] CONTAINER FOR LIQUIDS

3,176,879 4/1965 Mojonnier D9/175 X
3,410,438 11/1968 Bartz D9/175 X

[75] Inventor: Max R. Kneer, Holcomb, N.Y.

Primary Examiner—Robert C. Spangler
Attorney, Agent, or Firm—Theodore B. Roessel

[73] Assignee: Sybron Corporation, Rochester, N.Y.

[**] Term: 14 Years

[57] CLAIM

[21] Appl. No.: 923,044

The ornamental design for a container for liquids, substantially as shown and described.

[22] Filed: Jul. 7, 1978

DESCRIPTION

[51] Int. Cl. D9-03

FIG. 1 is a top plan view of a container for liquids showing my new design;

[52] U.S. Cl. D9/376

FIG. 2 is a front elevational view;

[58] Field of Search D9/38-53,
D9/175; 220/1, 86 R

FIG. 3 is an elevational view looking from the right of FIG. 2;

[56] References Cited

U.S. PATENT DOCUMENTS

FIG. 4 is a bottom plan view;

FIG. 5 is a rear elevational view; and

FIG. 6 is an elevational view thereof looking from the left of FIG. 2.

D. 220,470 4/1971 Lewis D9/175
3,071,287 1/1963 Gran D9/175 X

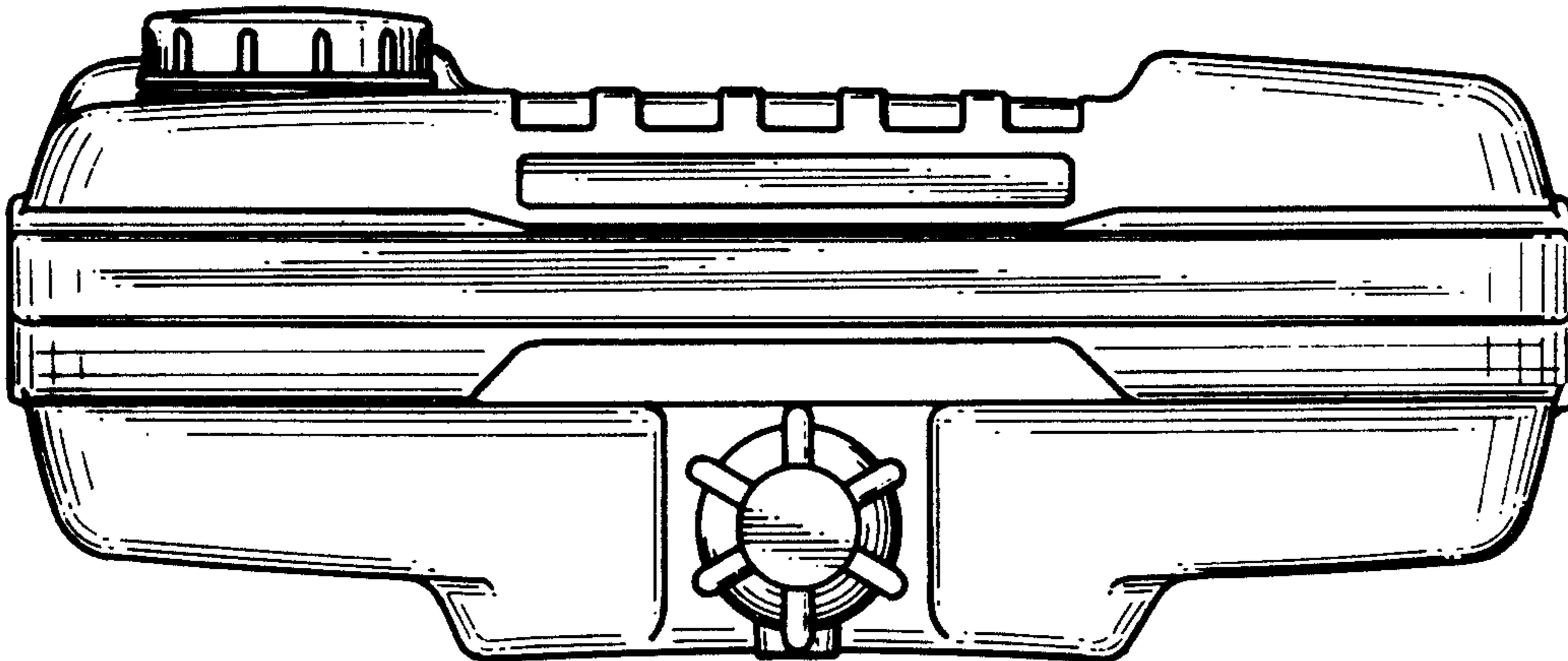


FIG. 1

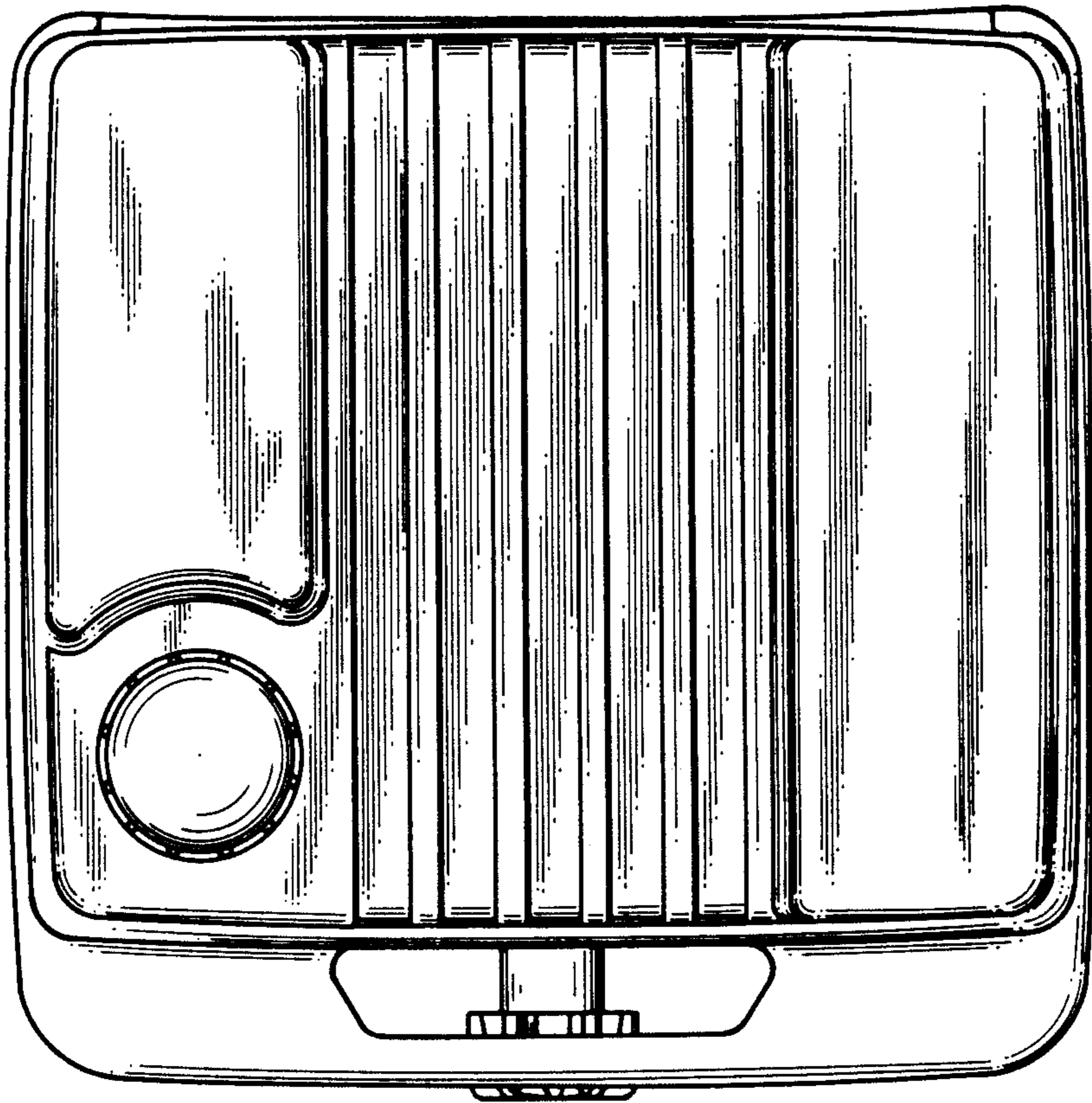


FIG. 2

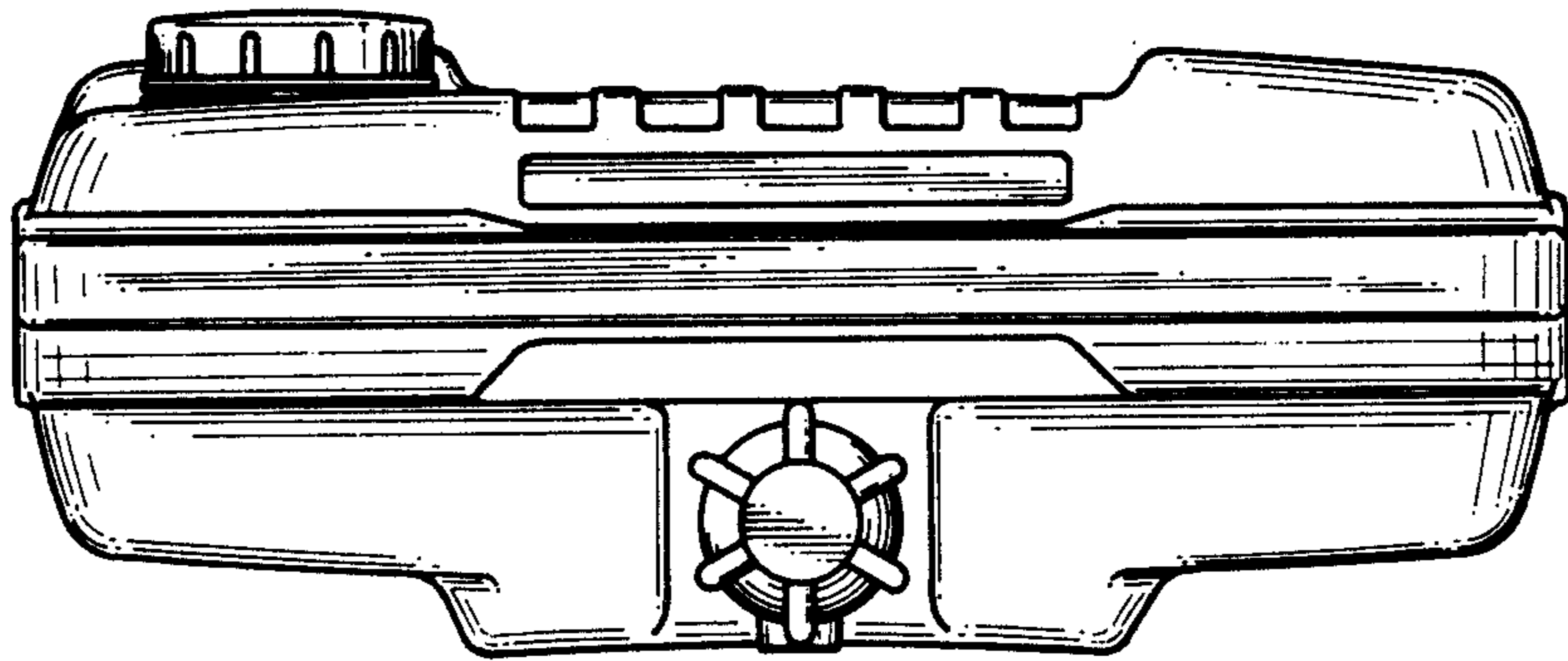


FIG. 3

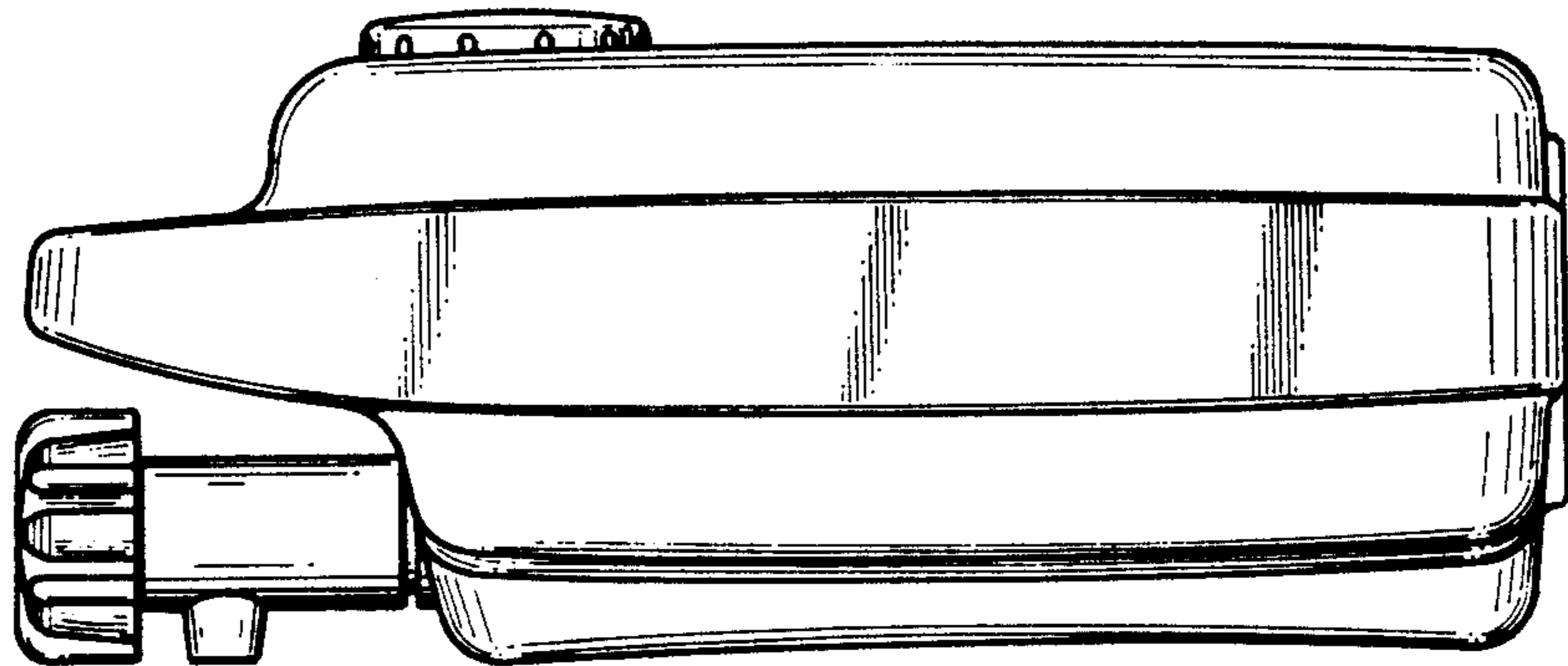


FIG. 4

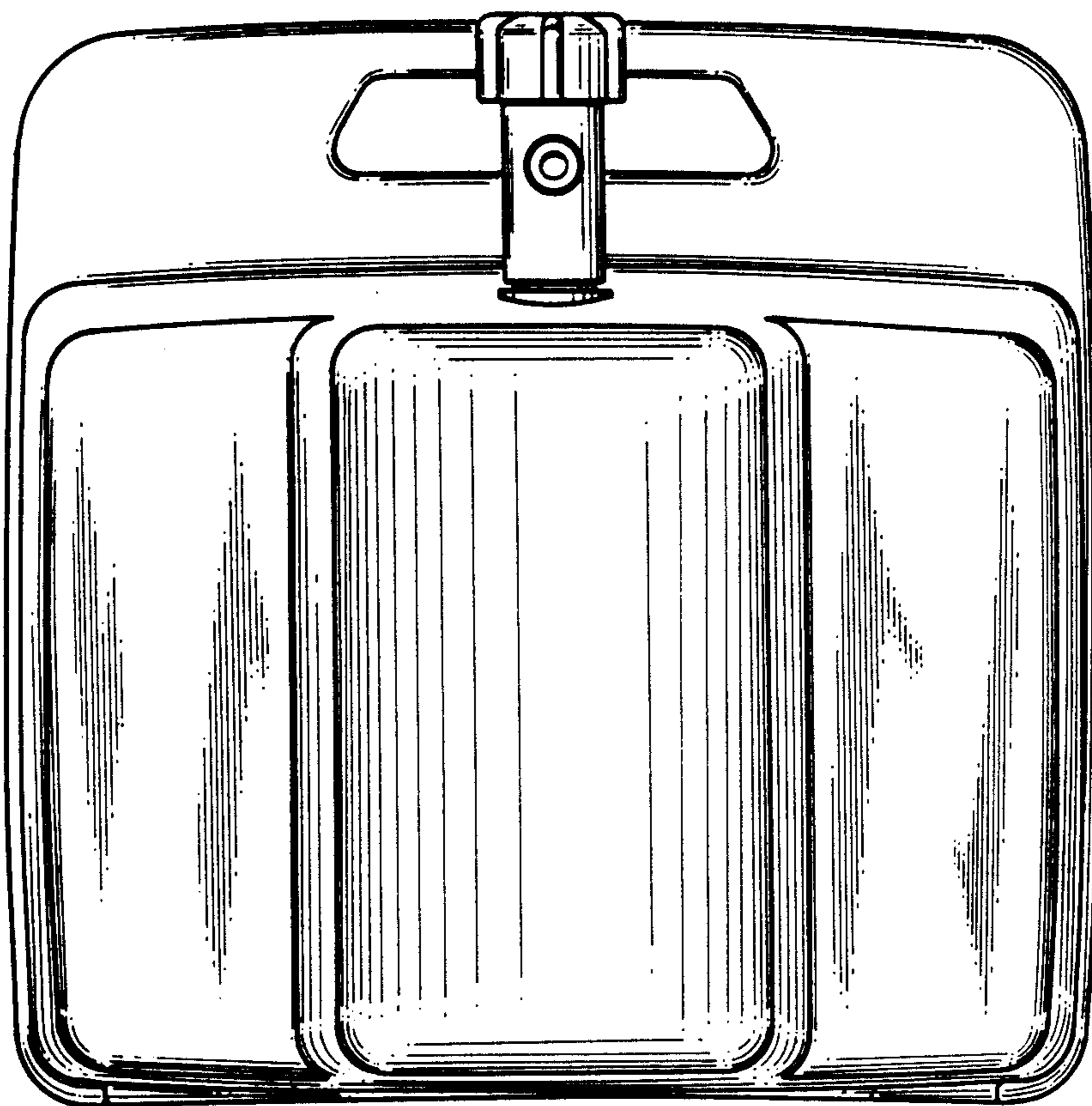


FIG. 5

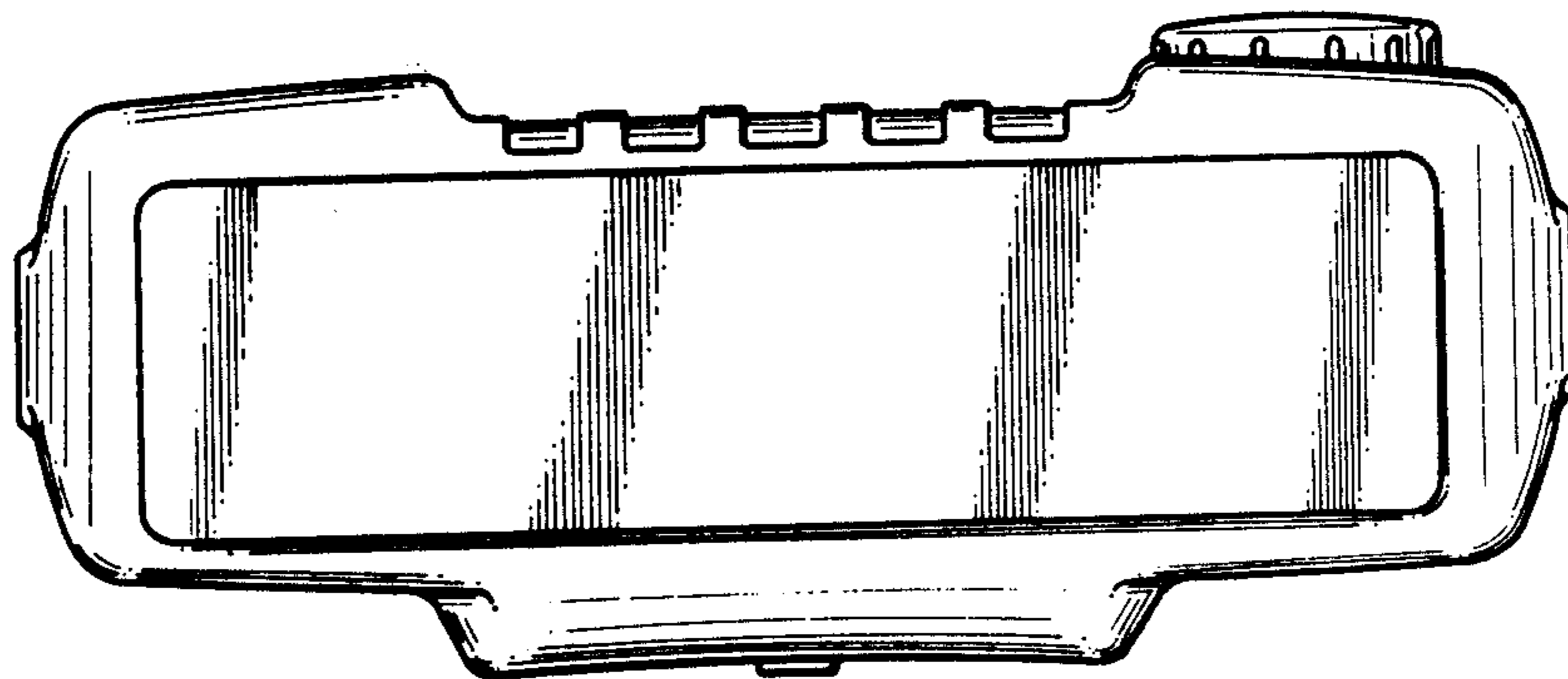


FIG. 6

