

[54] COLLAPSIBLE RACK

[75] Inventor: **Renate Buchsteiner nee Fetzter**,  
Gingen, Fils, Fed. Rep. of Germany

[73] Assignee: **Johannes Buchsteiner GmbH & Co**  
KG, Gingen, Fils, Fed. Rep. of  
Germany

[\*\*] Term: **14 Years**

[21] Appl. No.: **902,268**

[22] Filed: **May 2, 1978**

[30] **Foreign Application Priority Data**

Dec. 13, 1977 [DE] Fed. Rep. of Germany ..... 7737937

[51] Int. Cl. .... **D7-05**

[52] U.S. Cl. .... **D7/188**

[58] Field of Search ..... **D7/188; 211/13, 41,**  
**211/189, 195, 200**

[56] **References Cited**

**U.S. PATENT DOCUMENTS**

|            |         |                |          |
|------------|---------|----------------|----------|
| D. 252,251 | 7/1979  | Lundani .....  | D7/188   |
| 329,150    | 10/1885 | Eaton .....    | 211/200  |
| 424,863    | 4/1890  | Demorest ..... | 211/41 X |

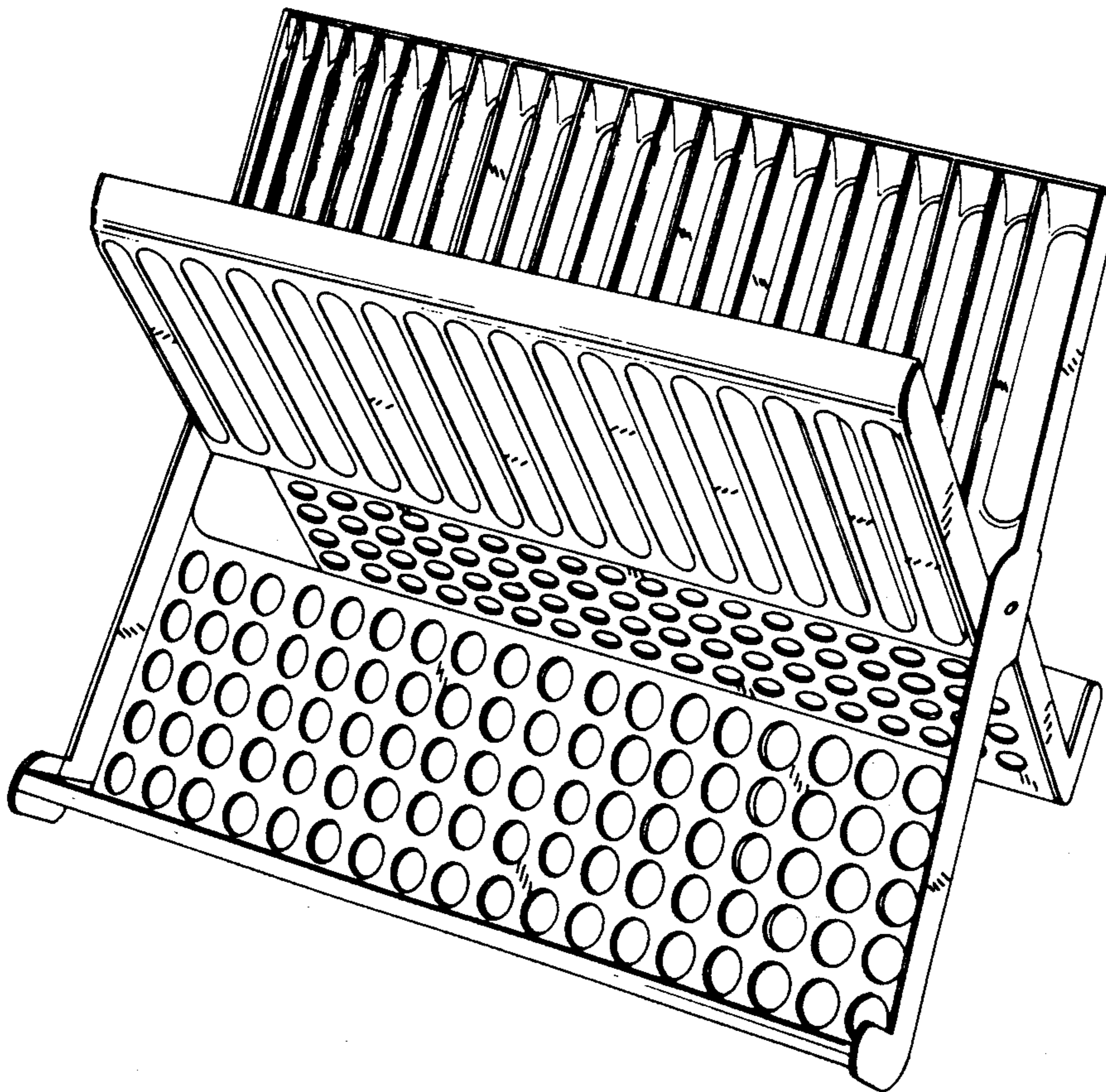
*Primary Examiner*—Catherine E. Kemper  
*Attorney, Agent, or Firm*—Michael J. Striker

[57] **CLAIM**

The ornamental design for a collapsible rack, substantially as shown and described.

**DESCRIPTION**

FIG. 1 is an end elevation showing a collapsible rack according to my new design, in open condition;  
 FIG. 2 is a top plan view thereof;  
 FIG. 3 is a side elevation thereof;  
 FIG. 4 is a bottom plan view thereof;  
 FIG. 5 is an end elevation thereof corresponding to the view in FIG. 1 but showing the rack in closed condition, and  
 FIG. 6 is a perspective view, showing the rack of FIGS. 1-5 as it appears when opened.  
 The appearance of the sides of the collapsible rack not shown in the drawing is identical with the appearance of the sides shown in FIGS. 1 and 3, respectively.



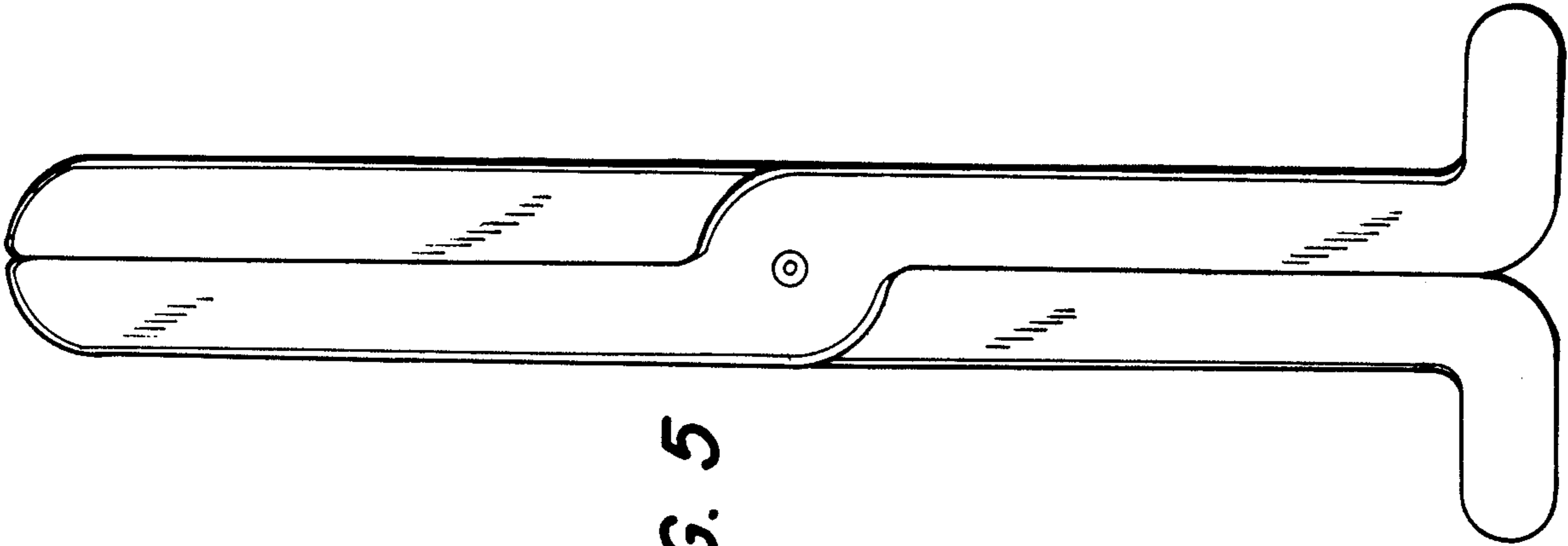


FIG. 5

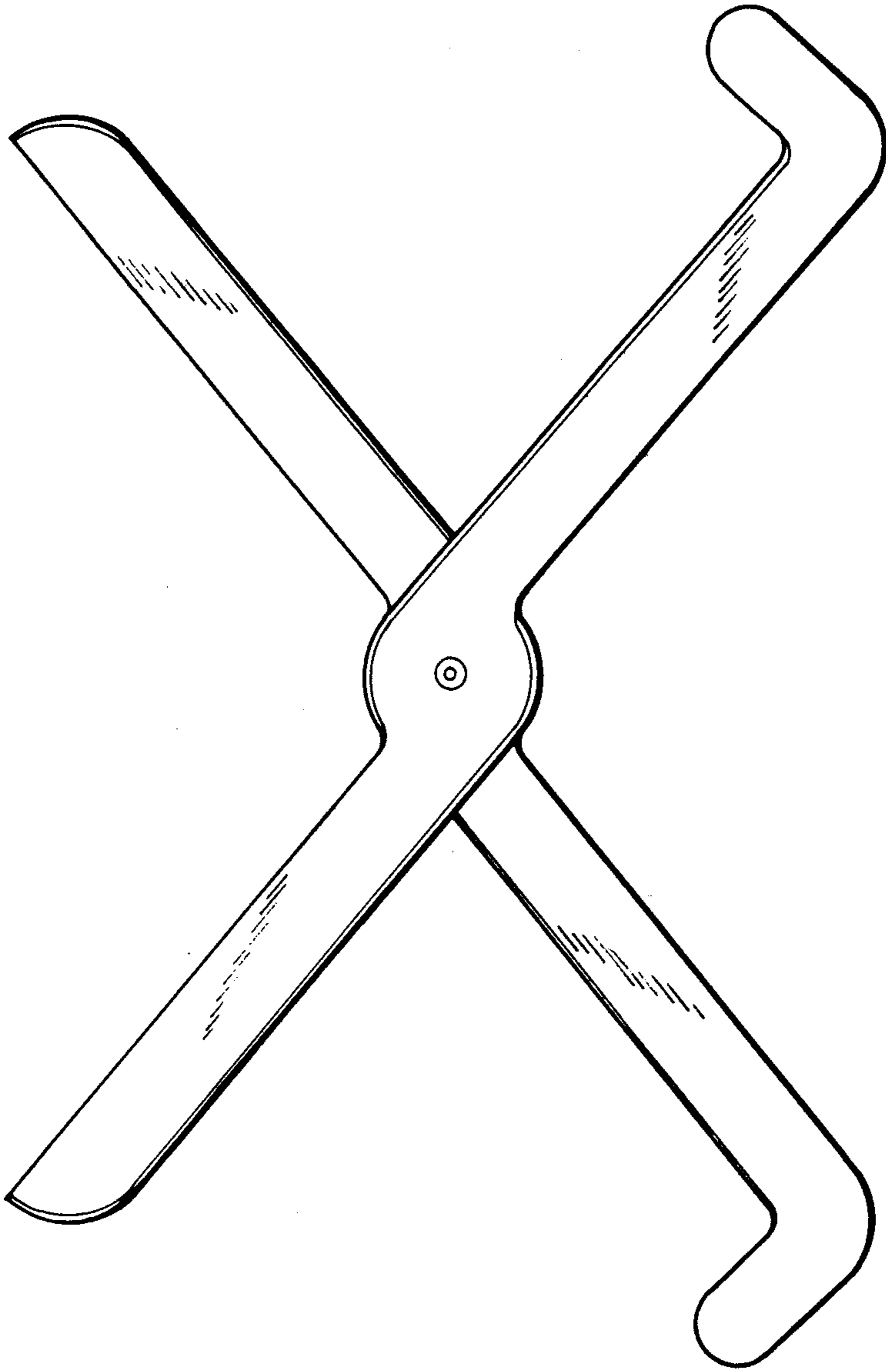


FIG. 1



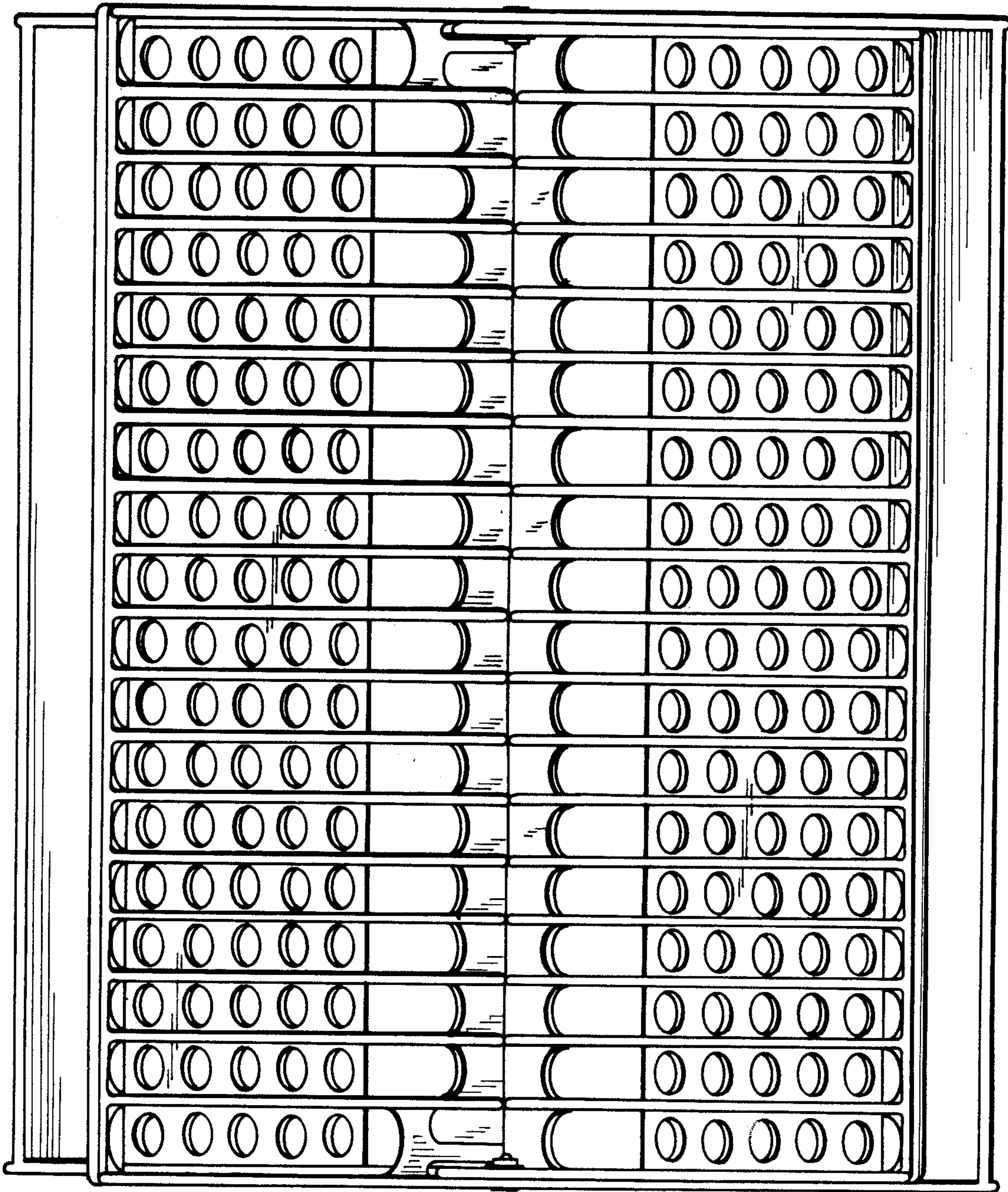
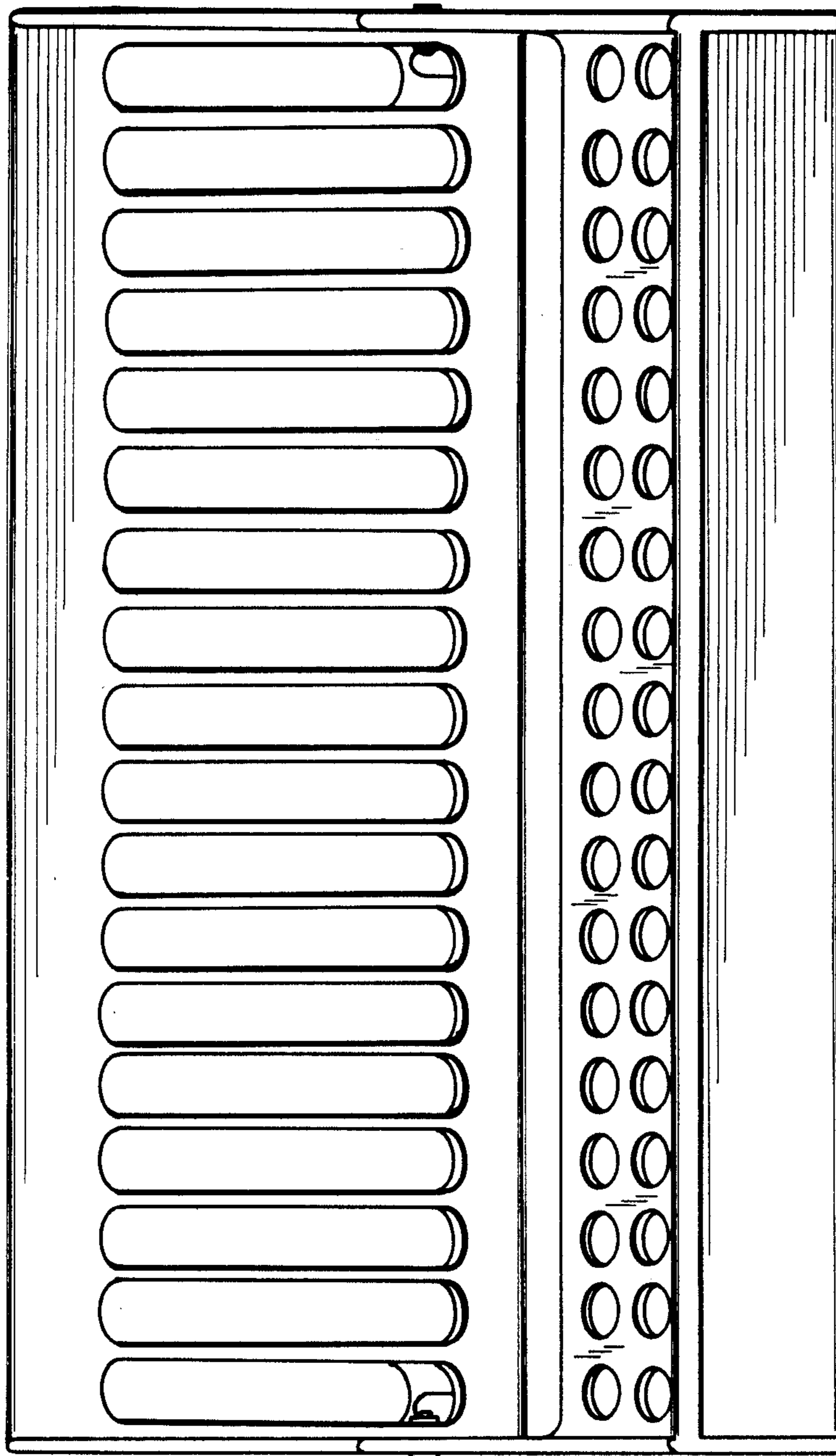


FIG. 2

FIG. 3



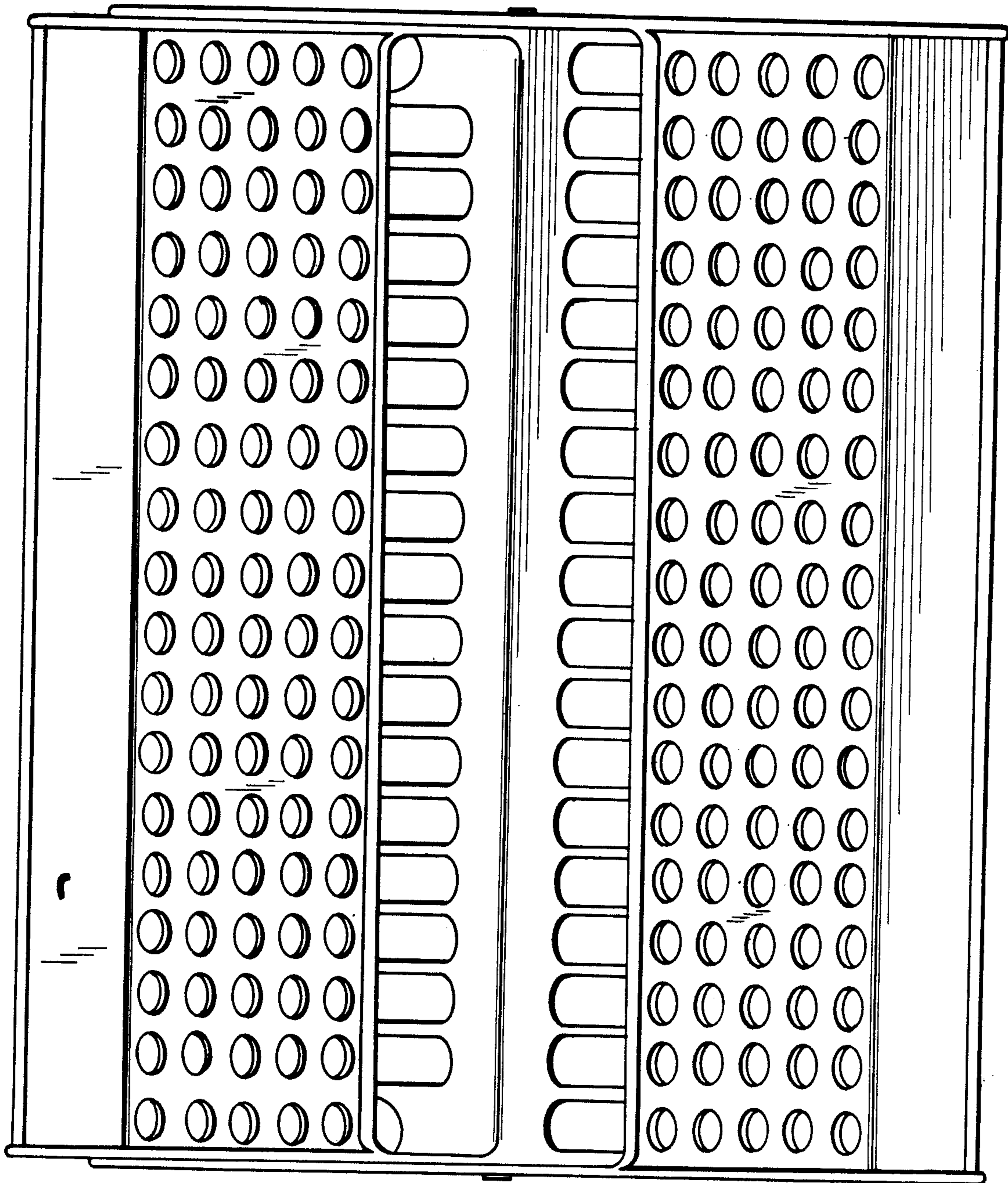


FIG. 4



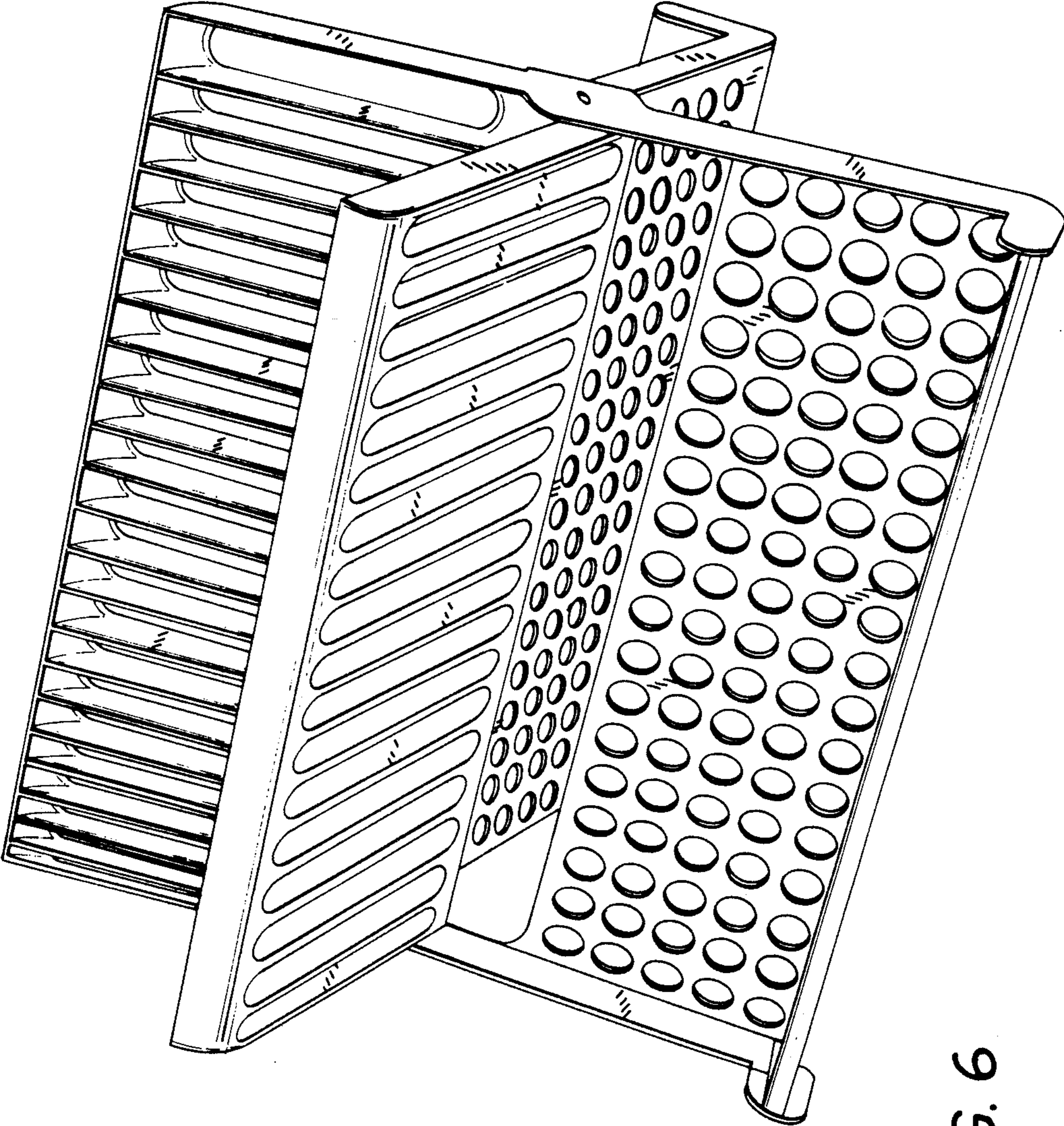


FIG. 6