

[54] PORTABLE GRILL

[76] Inventor: Ronald Lee, 4606 Neal Rd., Apt. 165, Reno, Nev. 89502

[**] Term: 14 Years

[21] Appl. No.: 89,877

[22] Filed: Oct. 31, 1979

[51] Int. Cl. D7-02
[52] U.S. Cl. D7/107
[58] Field of Search D7/107, 108, 109, 110;
126/25 R, 25 A, 25 AA, 25 B, 25 C, 29, 30, 9 R,
9 A, 9 B

[56]

References Cited

U.S. PATENT DOCUMENTS

832,163	10/1906	Ruger, Jr.	126/30 X
2,164,835	7/1939	Pearson et al.	126/25 R
4,120,279	10/1978	White	126/30
4,146,010	3/1979	Manska	D7/107 X

Primary Examiner—Catherine E. Kemper
Attorney, Agent, or Firm—Herbert C. Schulze

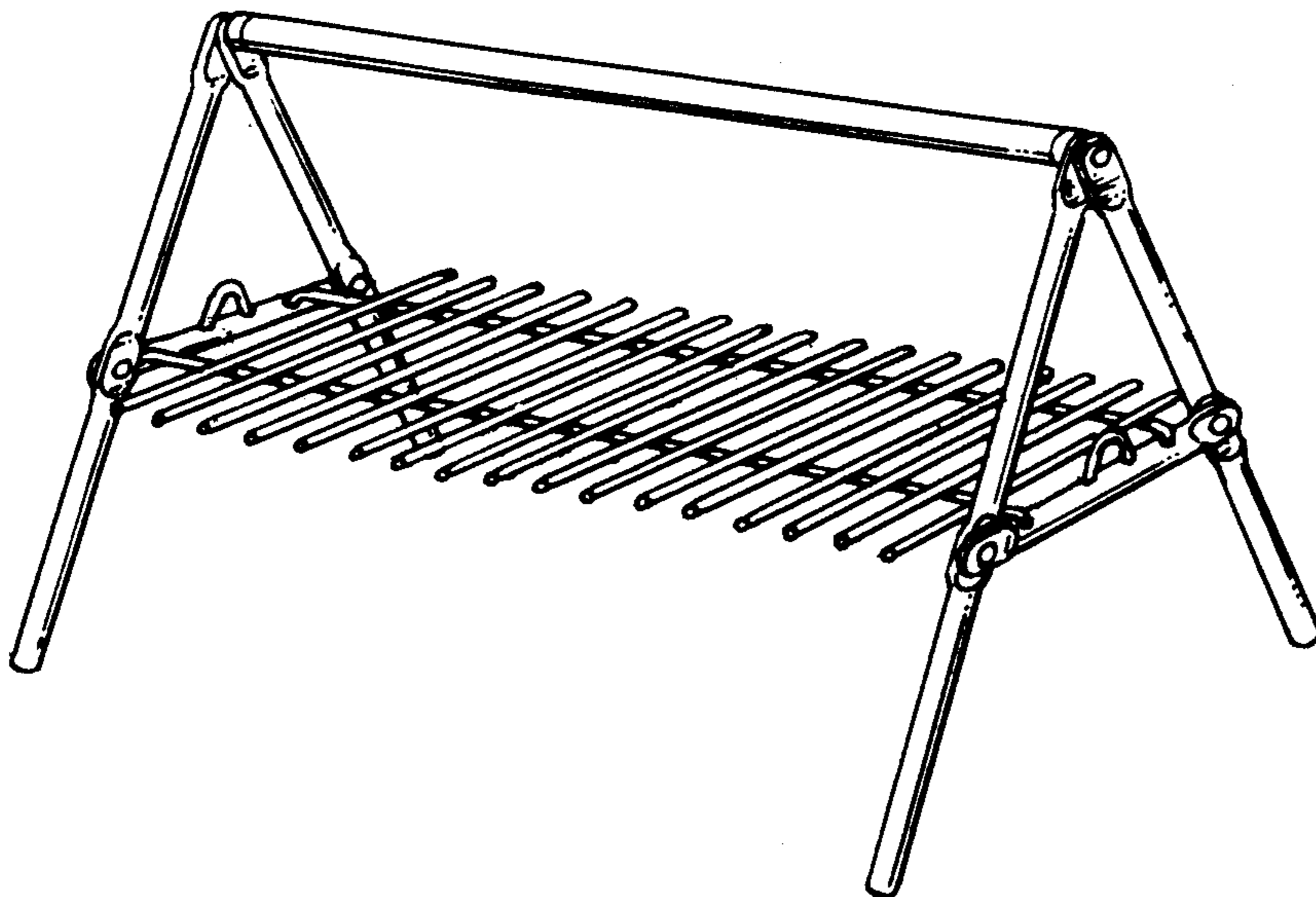
[57]

CLAIM

The ornamental design for portable grill, as shown.

DESCRIPTION

FIG. 1 is a top perspective view of a portable grill, showing my new design;
FIG. 2 is a bottom perspective view thereof;
FIG. 3 is a left end elevational view, the right end being identical thereto.



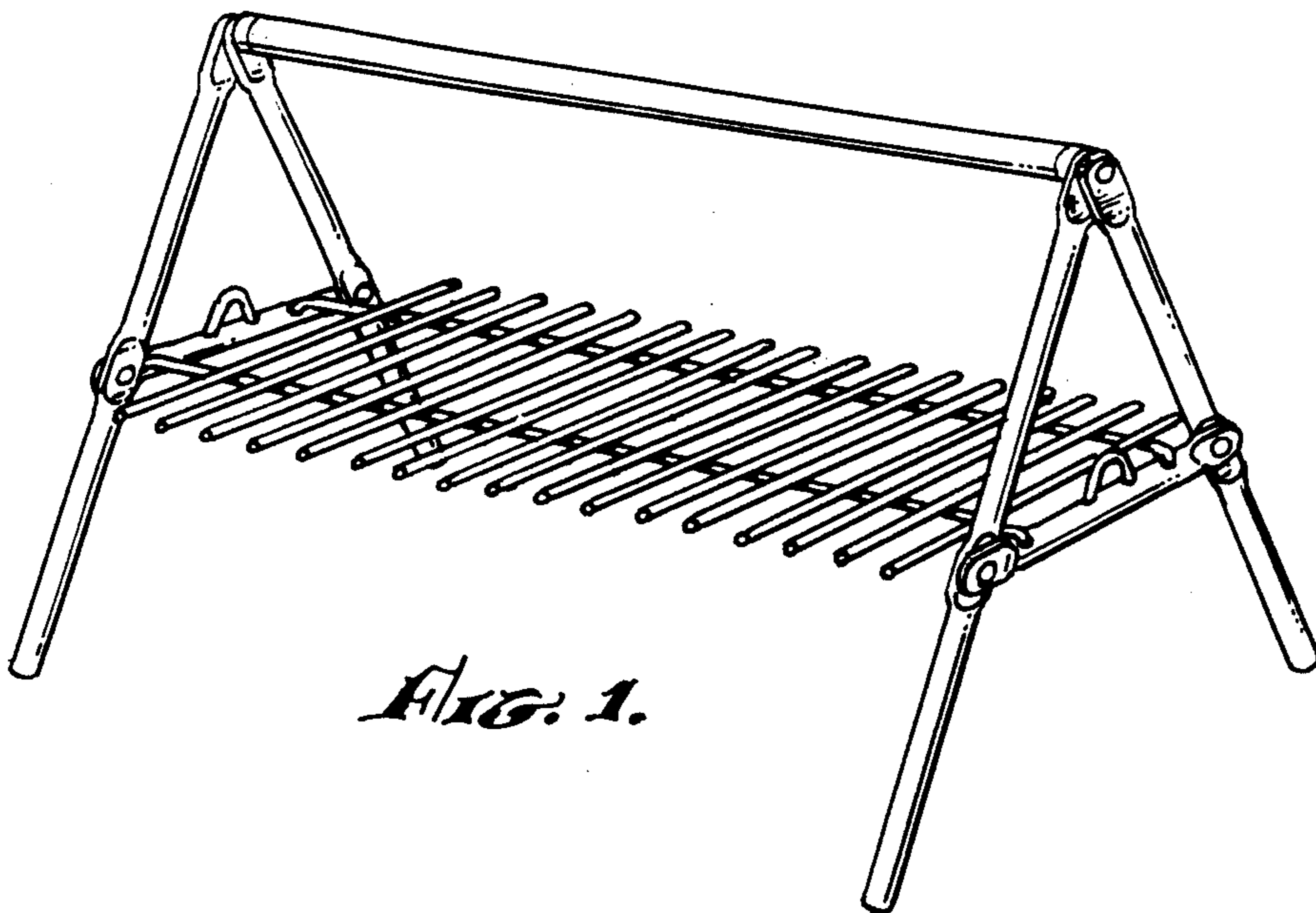


FIG. 1.

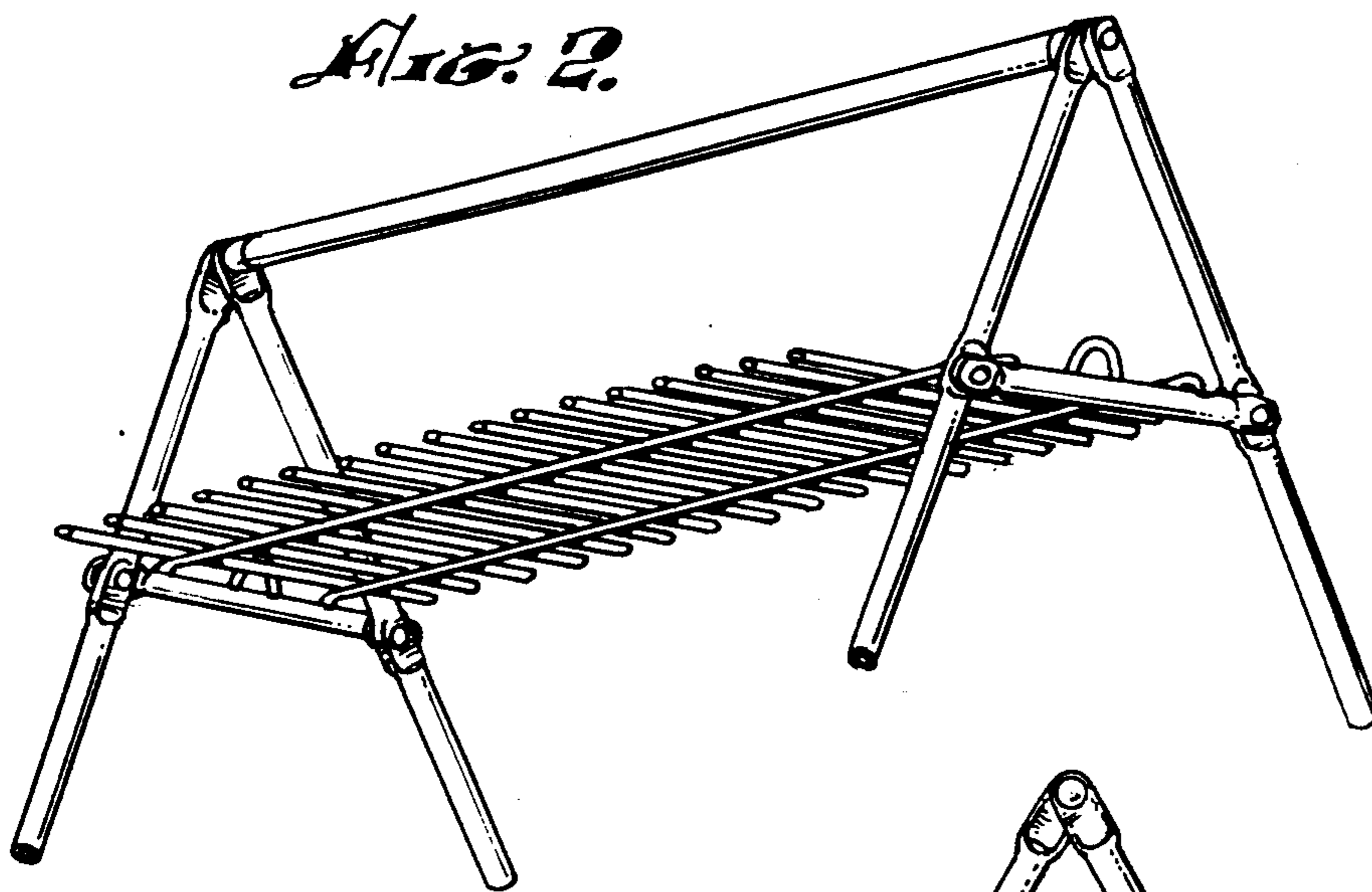


FIG. 2.

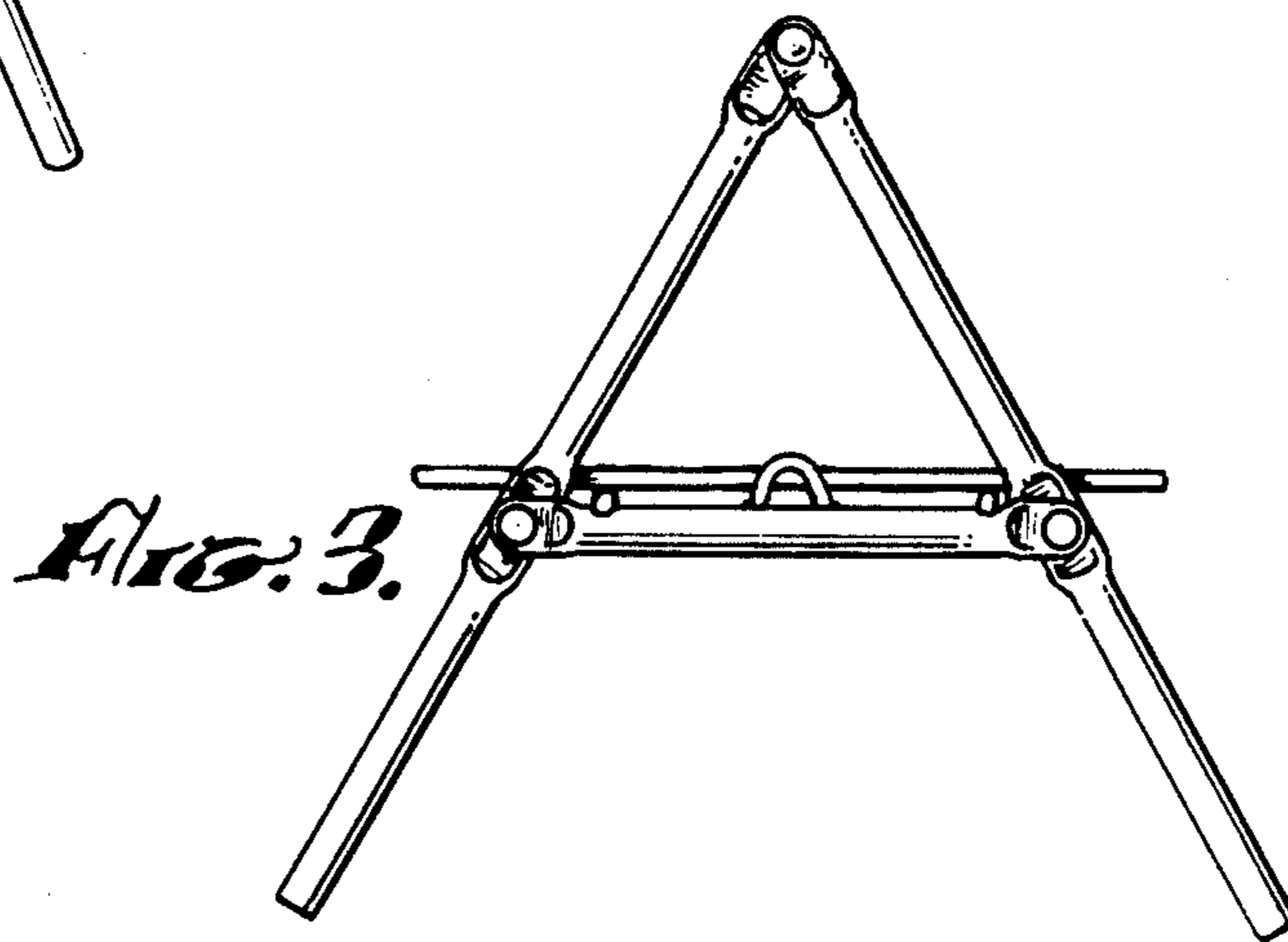


FIG. 3.