

[54] **BOOT BUCKLING AID**

[76] **Inventor:** Carl A. White, 41 Woodland Dr., Fargo, N. Dak. 58102

[\*\*] **Term:** 14 Years

[21] **Appl. No.:** 10,479

[22] **Filed:** Feb. 7, 1979

[51] **Int. Cl.** ..... D2—07

[52] **U.S. Cl.** ..... D2/378.2; 223/113

[58] **Field of Search** ..... D2/378, 378.2; D8/33, D8/34, 35, 40, 41, 43; 223/111-119

[56] **References Cited**

**FOREIGN PATENT DOCUMENTS**

107848 7/1917 United Kingdom ..... 223/118

*Primary Examiner*—George G. Stellar  
*Attorney, Agent, or Firm*—Schroeder, Siegfried, Ryan, Vidas, Steffey & Arrett

[57] **CLAIM**

The ornamental design for a boot buckling aid, as shown and described.

**DESCRIPTION**

FIG. 1 is a top plan view of a boot buckling aid, showing my new design;

FIG. 2 is a side elevational view thereof;

FIG. 3 is a bottom plan view thereof;

FIG. 4 is an end view thereof;

FIG. 5 is an opposite end view thereof.

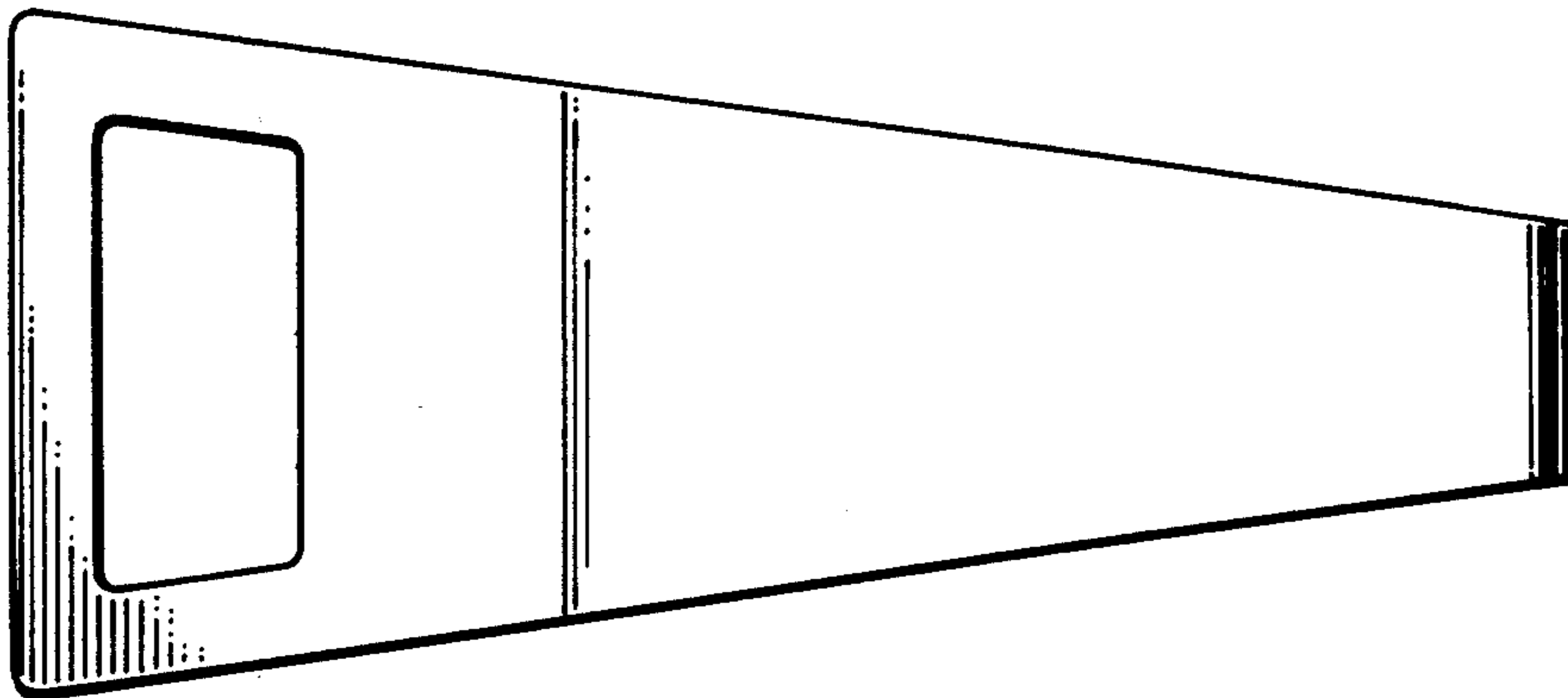


Fig. 1

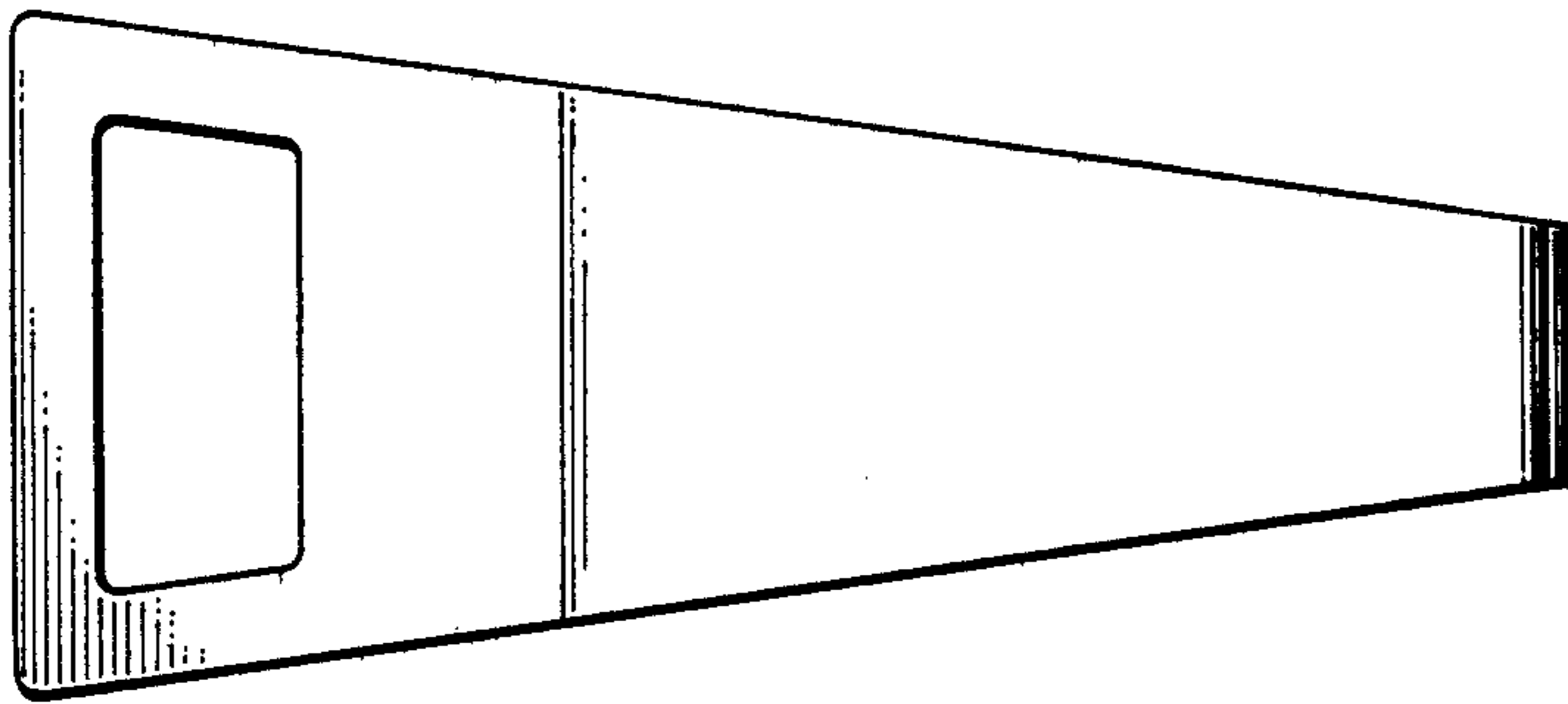


Fig. 2

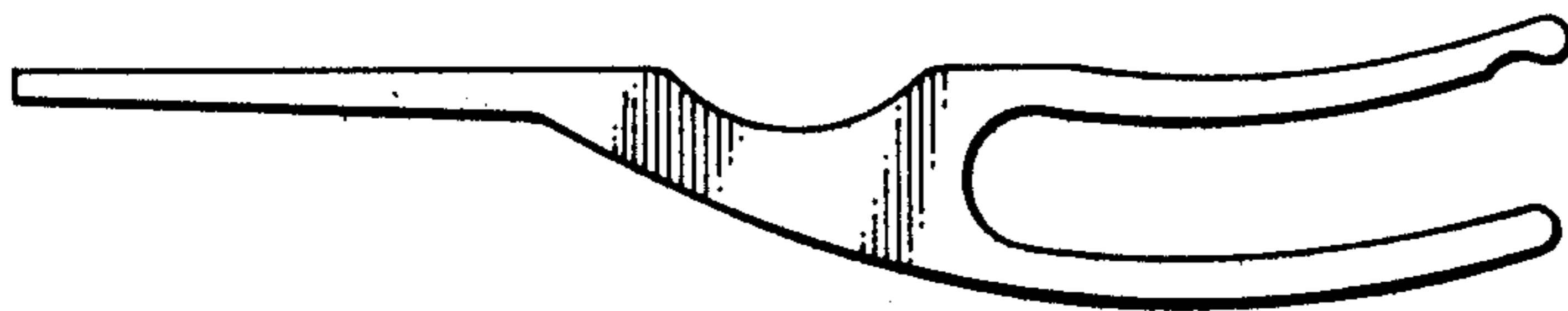


Fig. 3

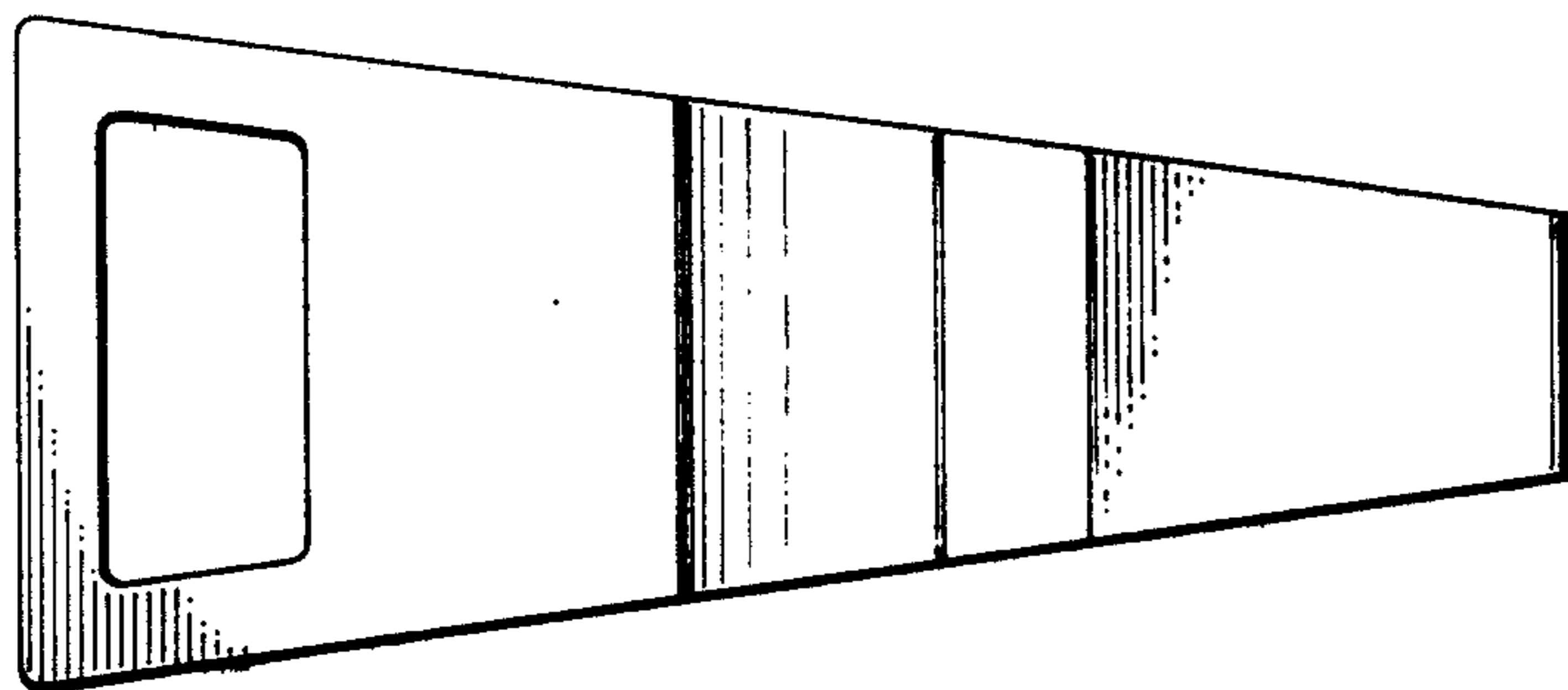


Fig. 4

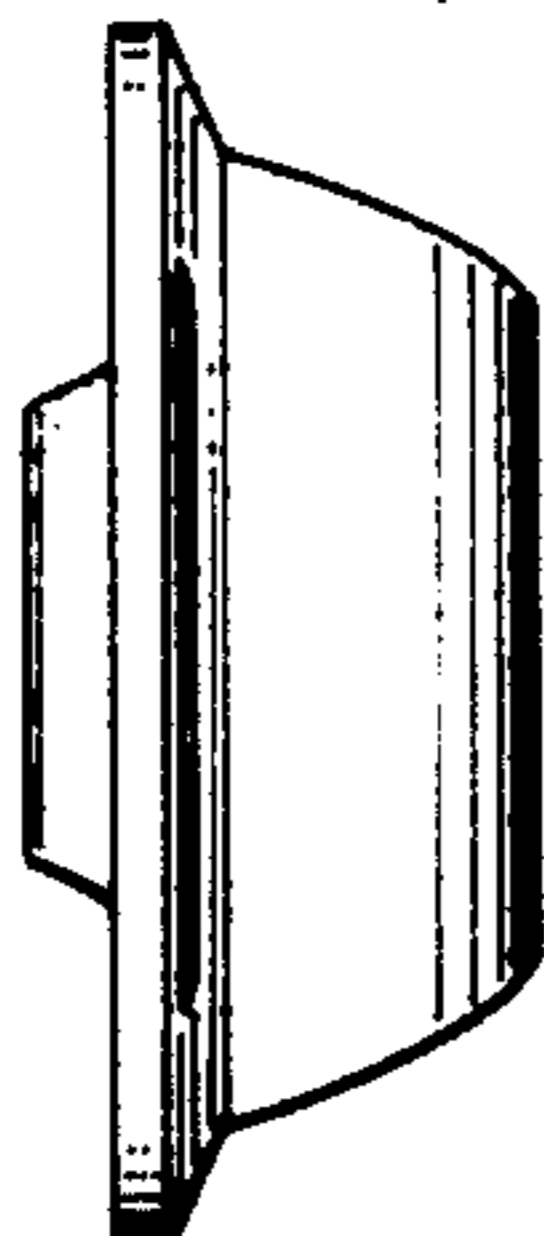


Fig. 5

