

[54] FRAME FOR A LUMINAIRE

[75] Inventor: Paul J. Kristofek, Hickory Hills, Ill.

[73] Assignee: McGraw-Edison Company, Rolling Meadows, Ill.

[\*\*] Term: 14 Years

[21] Appl. No.: 944,325

[22] Filed: Sep. 20, 1978

[51] Int. Cl. .... D26-05

[52] U.S. Cl. .... D26/142

[58] Field of Search ..... D26/72, 74, 75, 76, D26/77, 78, 79, 85, 88, 89, 142, 152; 362/147, 148, 362, 364, 367, 404, 408

[56] References Cited

U.S. PATENT DOCUMENTS

- D. 242,063 10/1976 Manley et al. .... D26/131 X
- D. 242,164 11/1976 Manley et al. .... D26/142

FOREIGN PATENT DOCUMENTS

24599 of 1910 United Kingdom ..... 362/404

Primary Examiner—Susan J. Lucas  
Attorney, Agent, or Firm—Ronald J. LaPorte; Jon Carl Gealow

[57] CLAIM

The ornamental design for a frame for a luminaire, substantially as shown and described.

DESCRIPTION

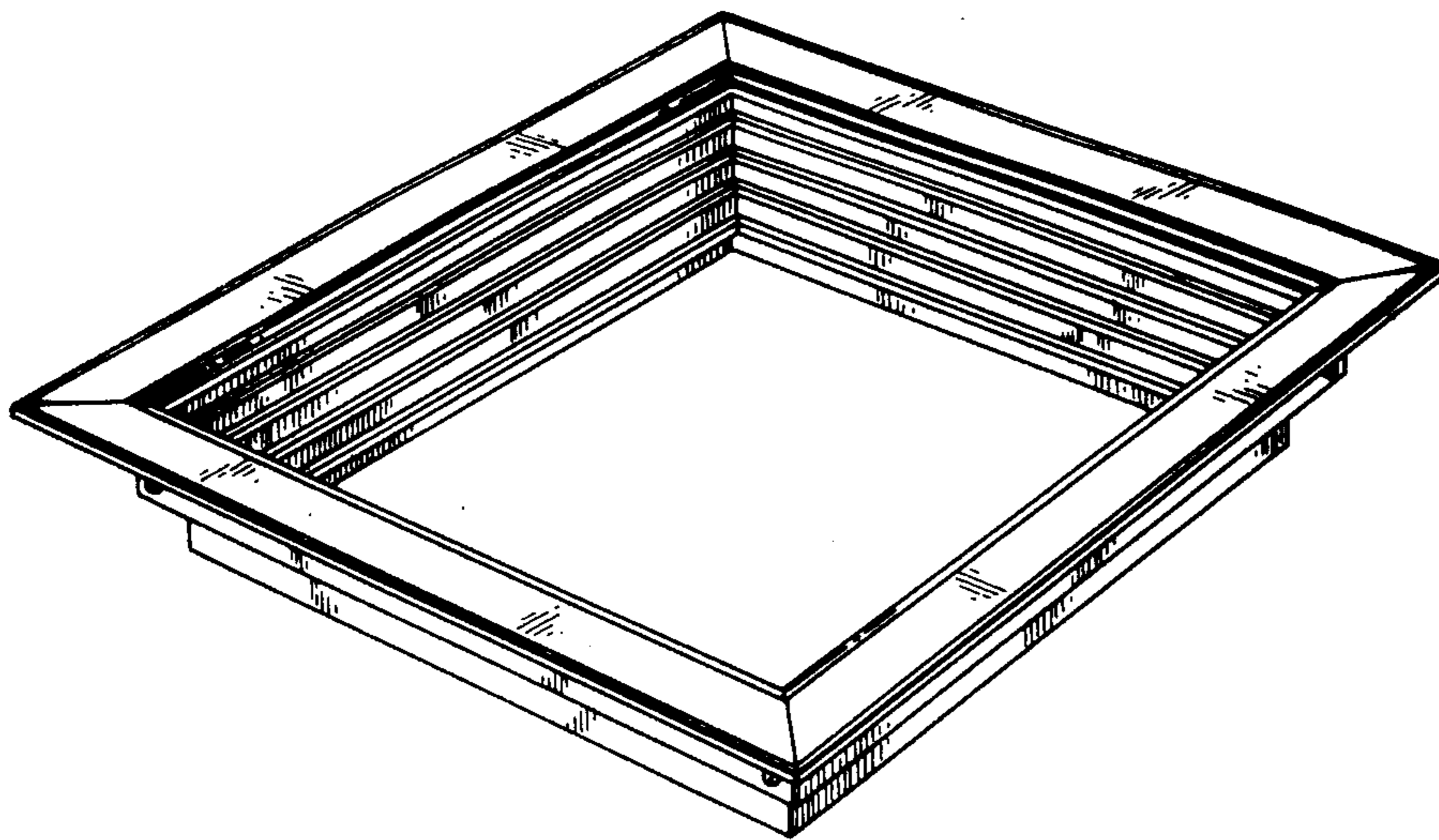
FIG. 1 is a perspective view of the frame for a luminaire of my design showing the bottom, and adjoining side walls thereof;

FIG. 2 is a bottom plan view of the frame for a luminaire of FIG. 1;

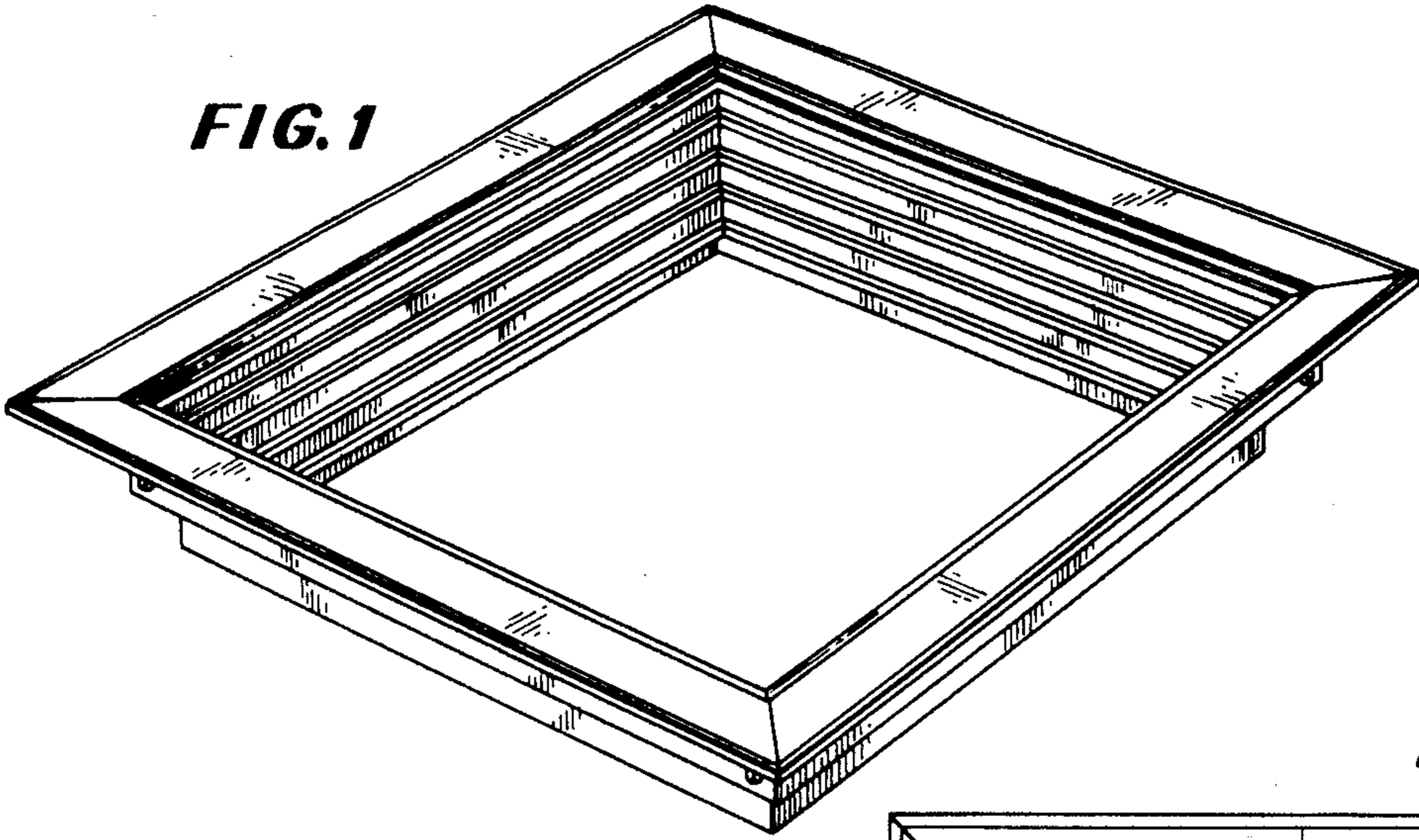
FIG. 3 is top plan view of the frame for a luminaire of FIG. 1;

FIG. 4 is a side elevational view of the frame for a luminaire of FIG. 1; and

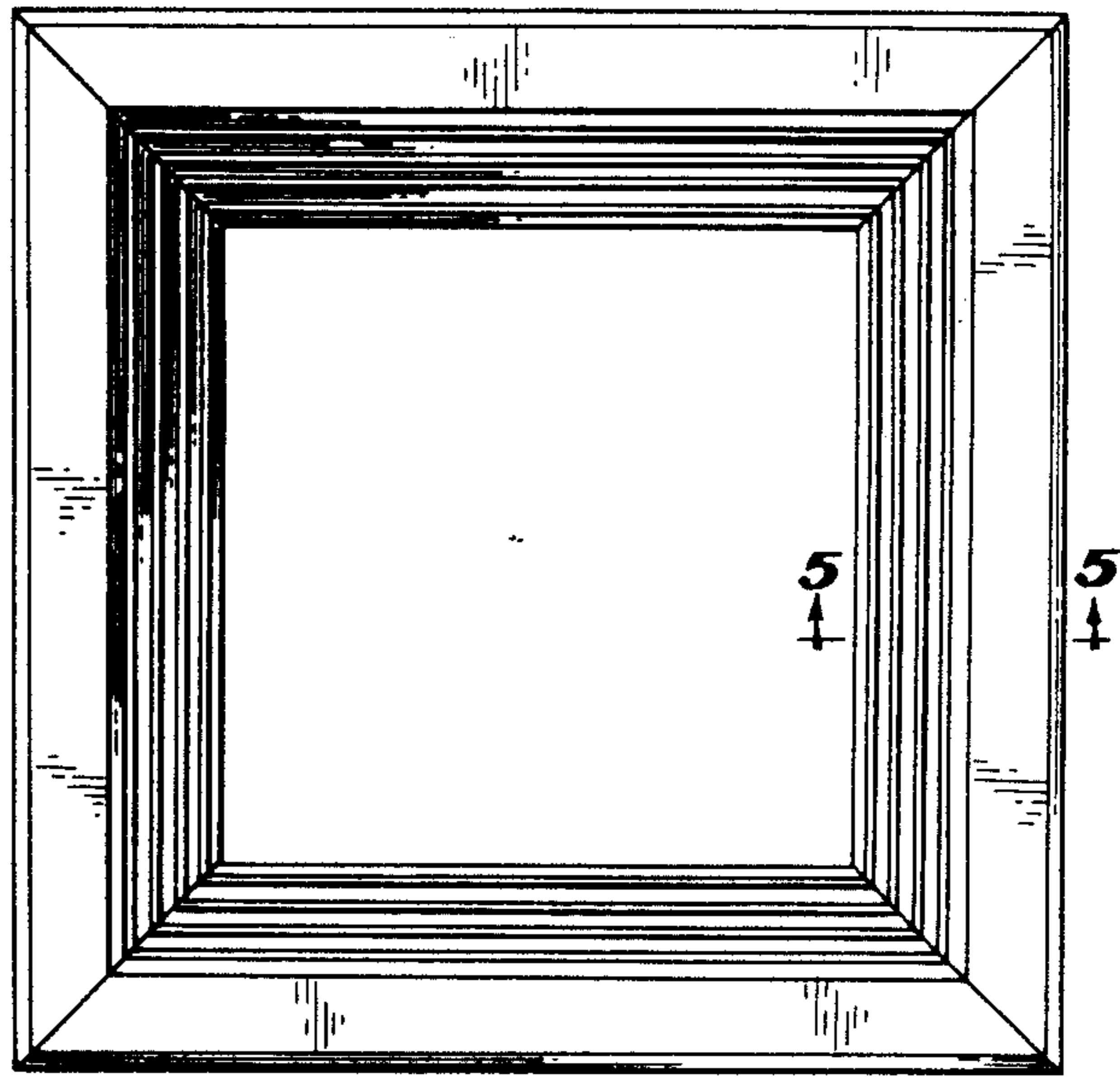
FIG. 5 is a cross sectional view of the frame for a luminaire of FIG. 2 taken along the line 5—5 thereof.



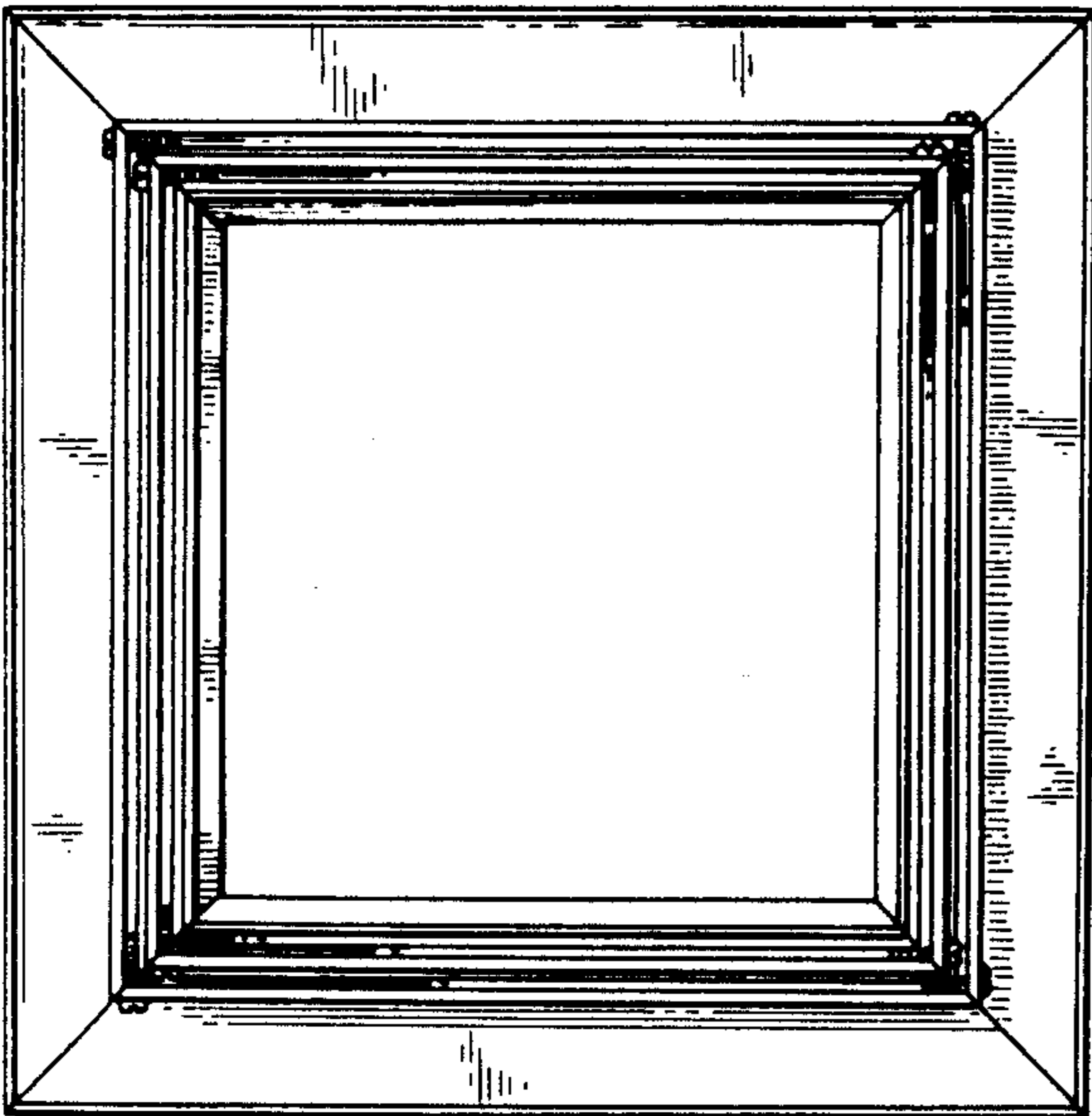
**FIG. 1**



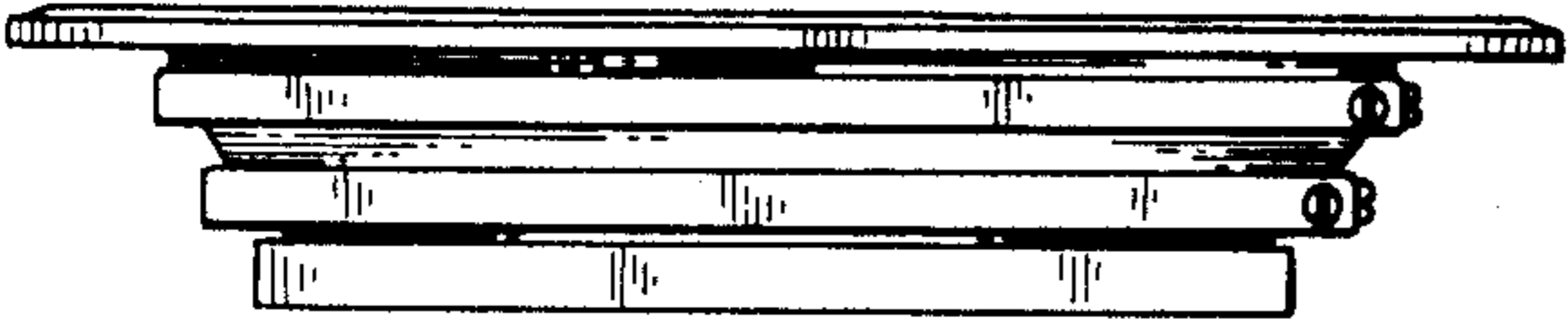
**FIG. 2**



**FIG. 3**



**FIG. 4**



**FIG. 5**

