

[54] COMBINED LAMP AND TURN SIGNAL FOR SNOW PLOWS AND THE LIKE

[75] Inventors: Karel Urbanek, Weston; Arthur F. Bleiweiss, Toronto, both of Canada

[73] Assignee: Dominion Auto Accessories Limited, Toronto, Canada

[**] Term: 14 Years

[21] Appl. No.: 29,276

[22] Filed: Apr. 12, 1979

[51] Int. Cl. D26-06

[52] U.S. Cl. D26/35

[58] Field of Search D26/28, 29, 31, 34, D26/35, 36; 362/61, 64, 235, 257, 268, 269, 362, 374, 375

[56] References Cited

U.S. PATENT DOCUMENTS

D. 62,945 8/1923 Godley D26/35
D. 237,648 11/1975 Cibie D26/28

OTHER PUBLICATIONS

Arrow Sealed Beam Mini-Catalog, p. 2, Snow-plow Headlamp/turn signal.

Primary Examiner—Susan J. Lucas
Attorney, Agent, or Firm—Barnes, Kisselle, Raisch & Choate

[57] CLAIM

The ornamental design for a combined lamp and turn signal for snow plows and the like, as shown and described.

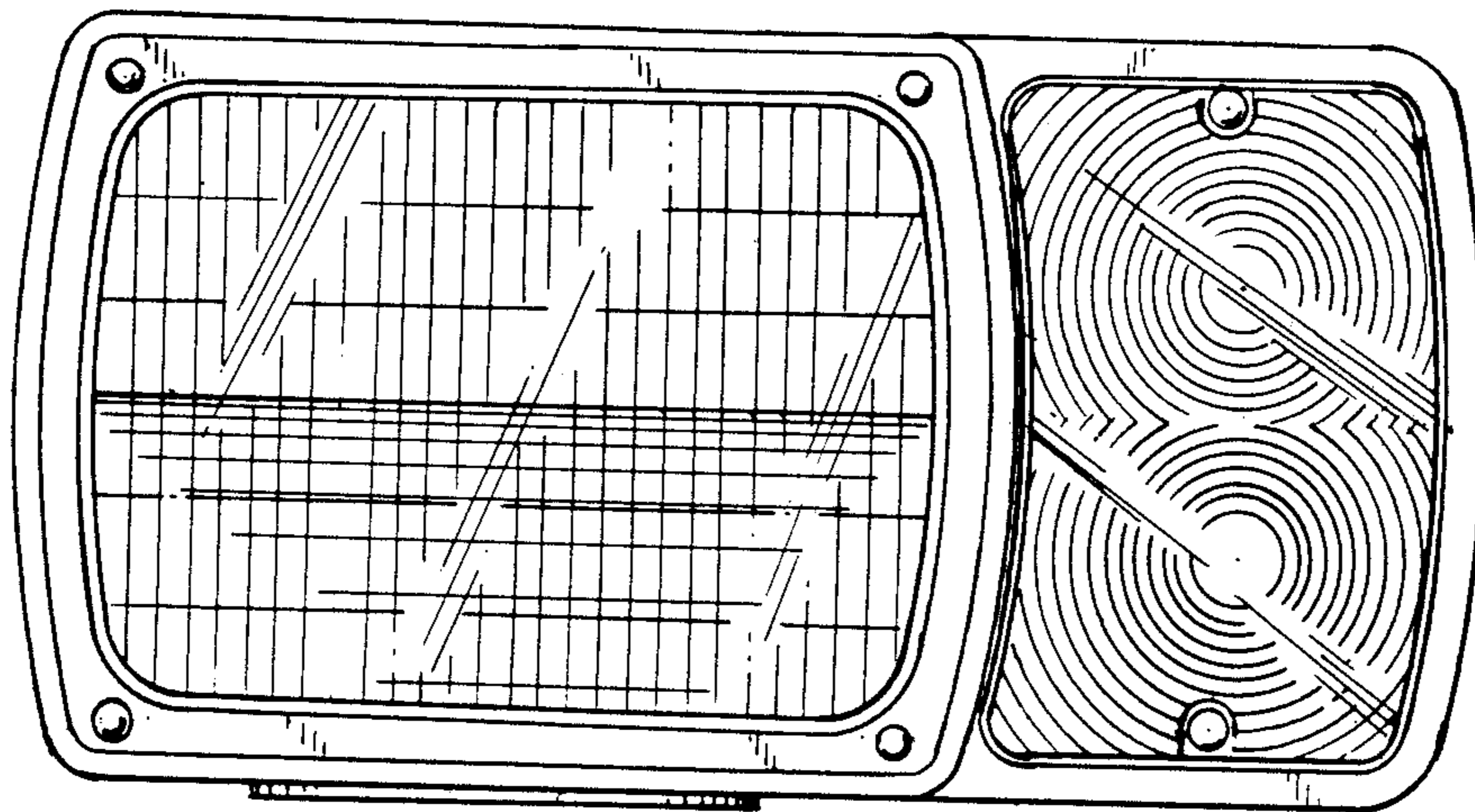
DESCRIPTION

FIG. 1 is a front elevational view of a combined headlight lamp and turn signal lamp for snow plows and the like embodying our novel design.

FIG. 2 is a plan view of the same.

FIG. 3 is an end view of the same taken from the left as viewed in FIG. 2.

FIG. 4 is an end view of the same taken from the right as viewed in FIG. 2.



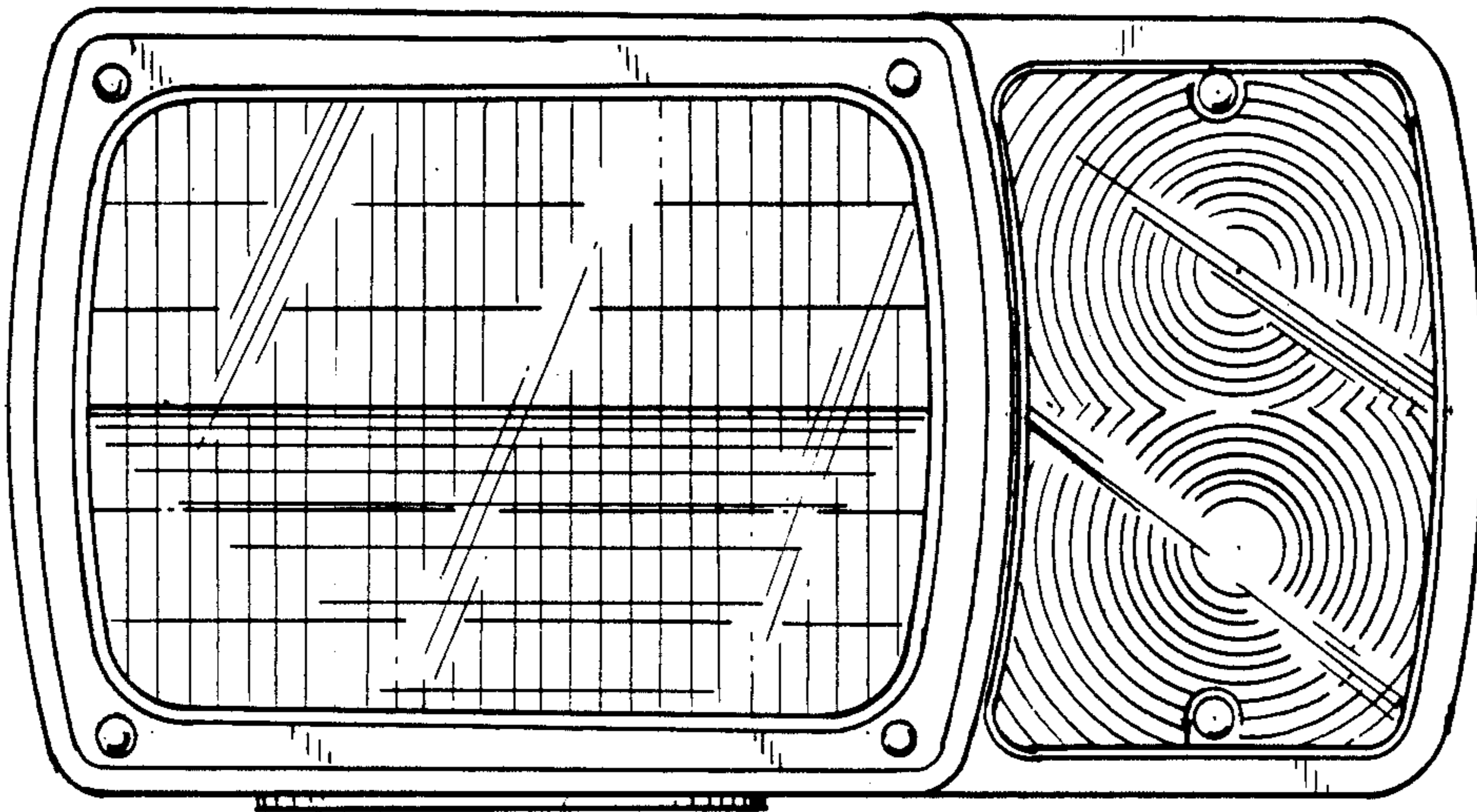


FIG. 1

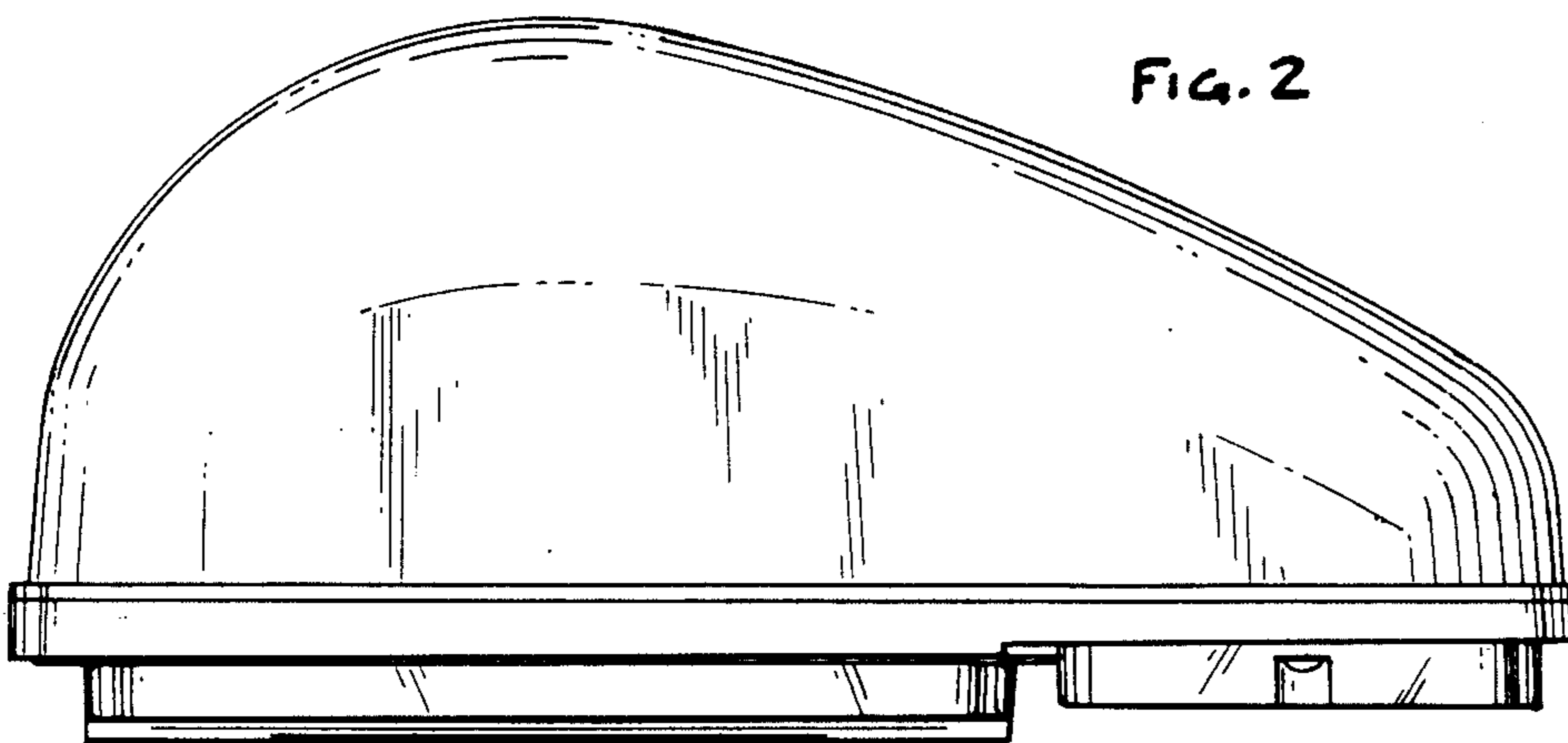


FIG. 2

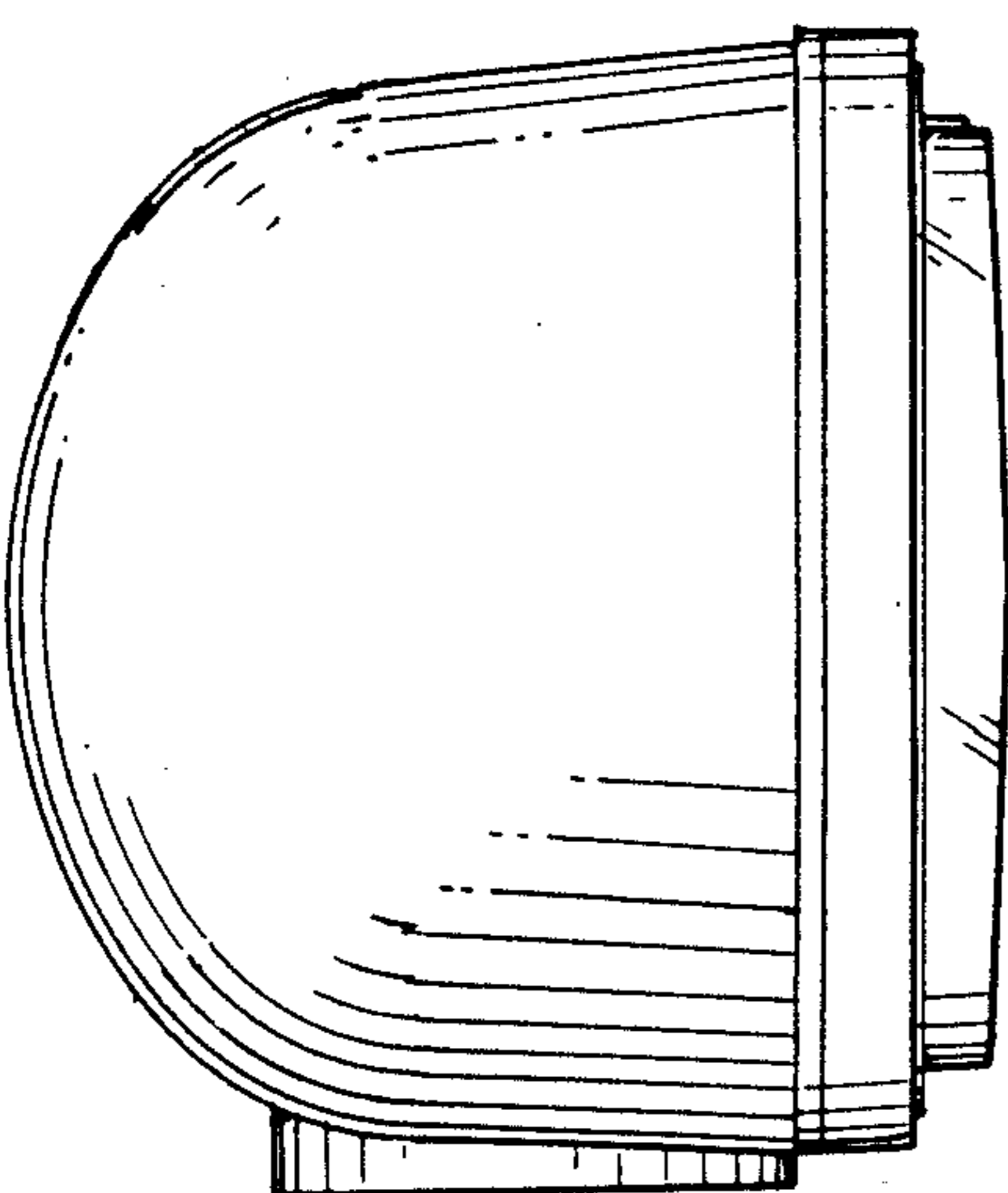


FIG. 3

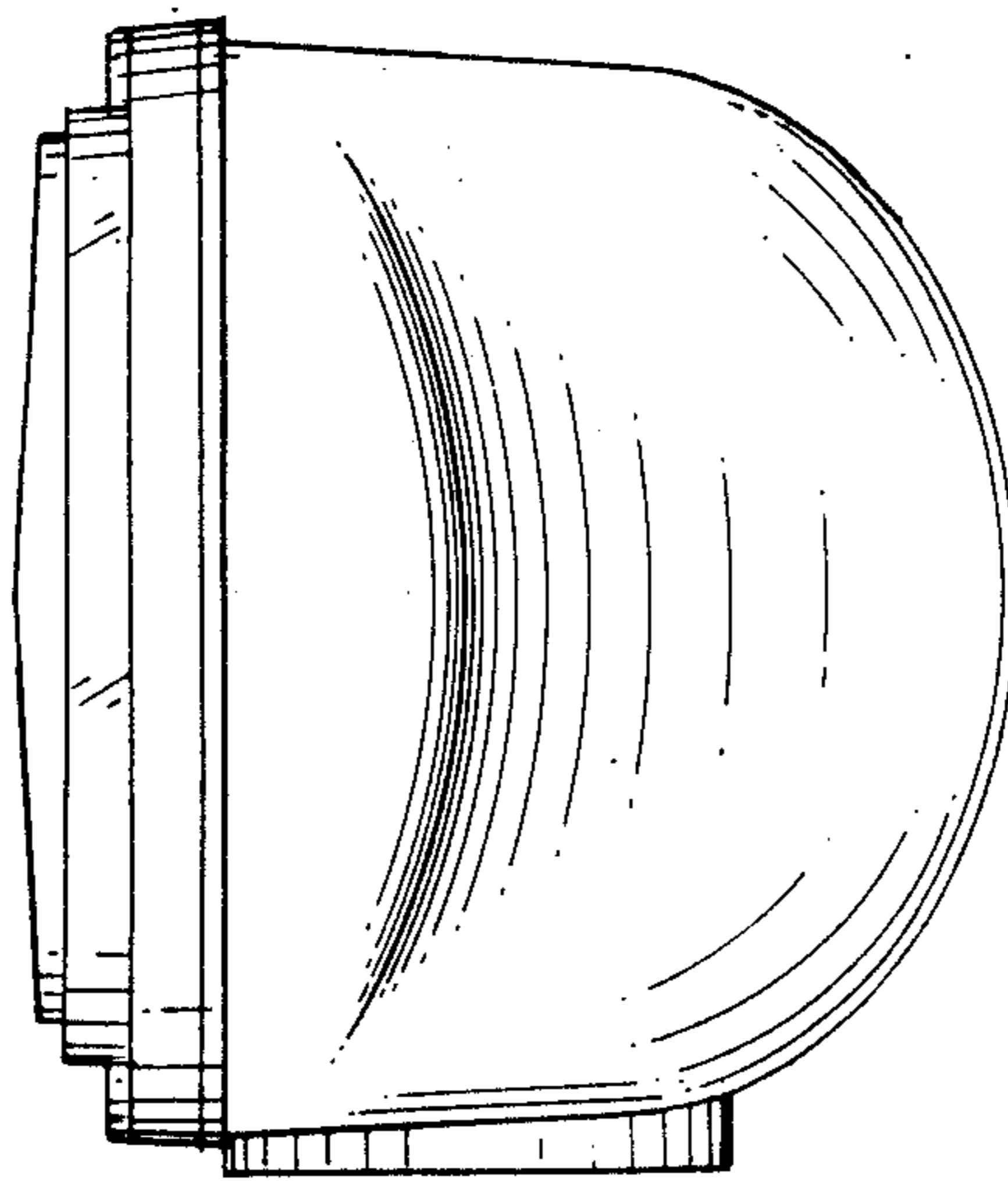


FIG. 4