

[54] VEHICLE LIGHT

[75] Inventor: Robert M. Levy, Delran, N.J.

[73] Assignee: Arrow Safety Device Company, Mount Holly, N.J.

[**] Term: 14 Years

[21] Appl. No.: 948,766

[22] Filed: Oct. 3, 1978

[51] Int. Cl. D26-06

[52] U.S. Cl. D26/35

[58] Field of Search D26/28, 29, 31, 34, D26/35, 36; 362/61, 64, 357, 235, 268, 269, 362, 374, 375

[56] References Cited

U.S. PATENT DOCUMENTS

D. 223,286 4/1972 Fujita et al. D26/28

OTHER PUBLICATIONS

Dietz Automotive Lighting Equipment Catalog 100 1972, p. 9-5B, Auxiliary Head Lamps #9-828.

Arrow Sealed Beam Mini-Catalog, p. 2, Snow Plow--lamp/signal.

Primary Examiner—Susan J. Lucas
Attorney, Agent, or Firm—George A. Smith, Jr.

[57] CLAIM

The ornamental design for a vehicle light, as shown and described.

DESCRIPTION

FIG. 1 is an oblique perspective view of the vehicle light showing my new design;
FIG. 2 is a top plan view thereof on a reduced scale;
FIG. 3 is a front elevation thereof on a reduced scale;
FIG. 4 is a bottom plan view thereof on a reduced scale;
FIG. 5 is a right-hand side elevation thereof on a reduced scale;
FIG. 6 is a left-hand side elevation thereof on a reduced scale;
FIG. 7 is a rear elevation thereof on a reduced scale;
FIG. 8 is a front elevation of a second embodiment of my new design; and
FIG. 9 is a rear elevation of the vehicle light of FIG. 8. The top, bottom, right and left views of the alternative embodiment shown in FIGS. 8 and 9 are identical to FIGS. 2, 4, 5 and 6.

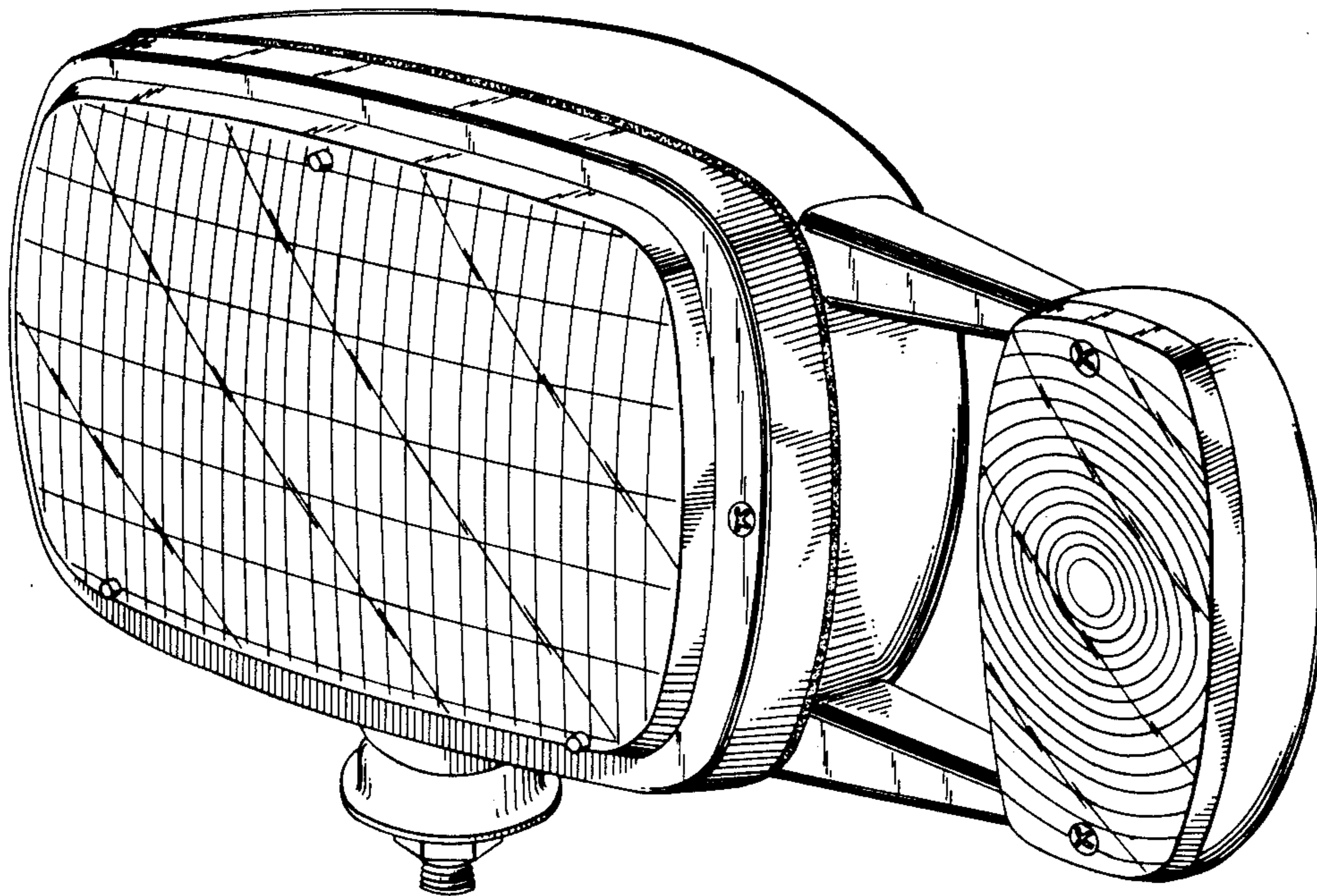
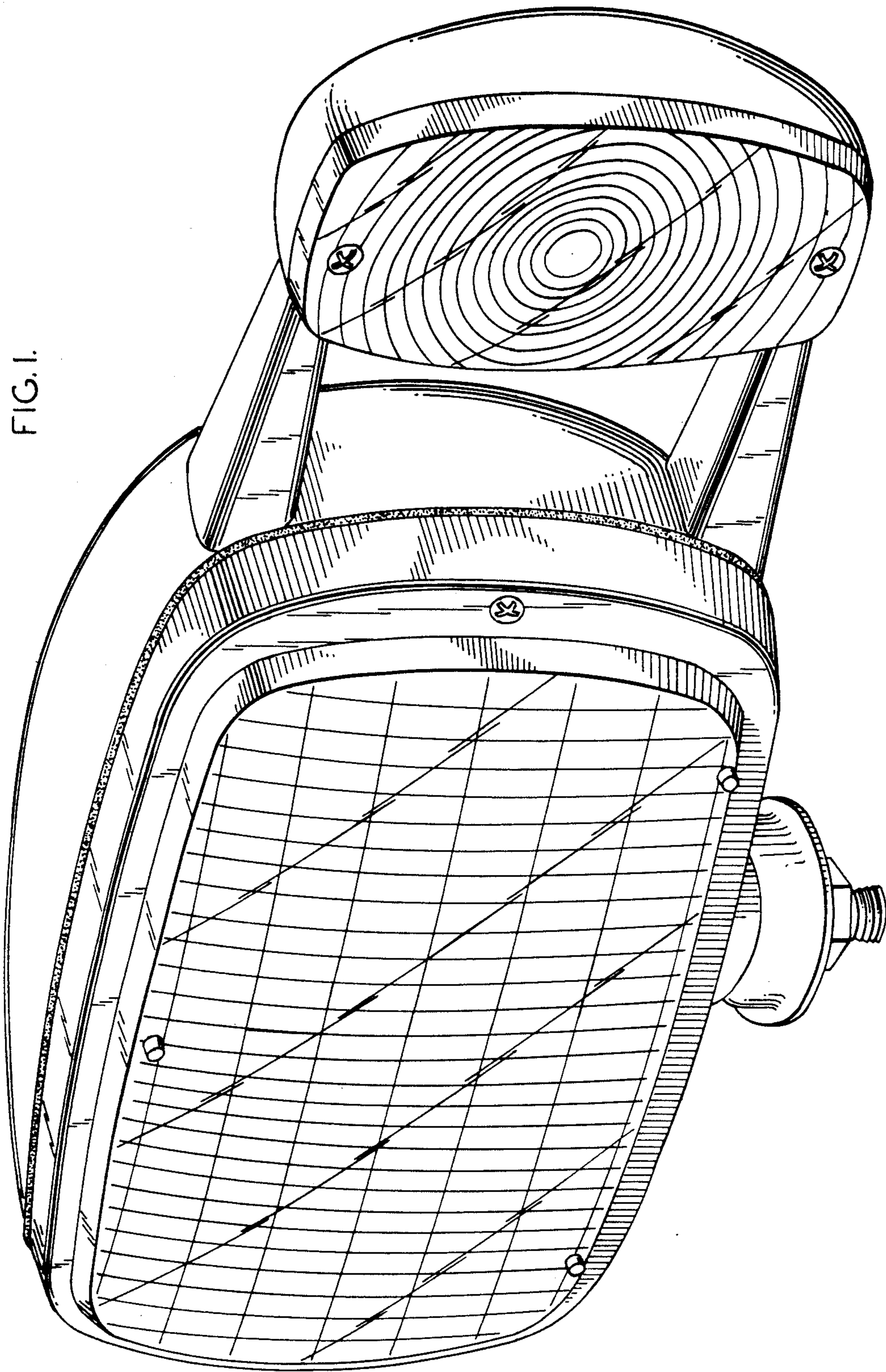


FIG. 1.



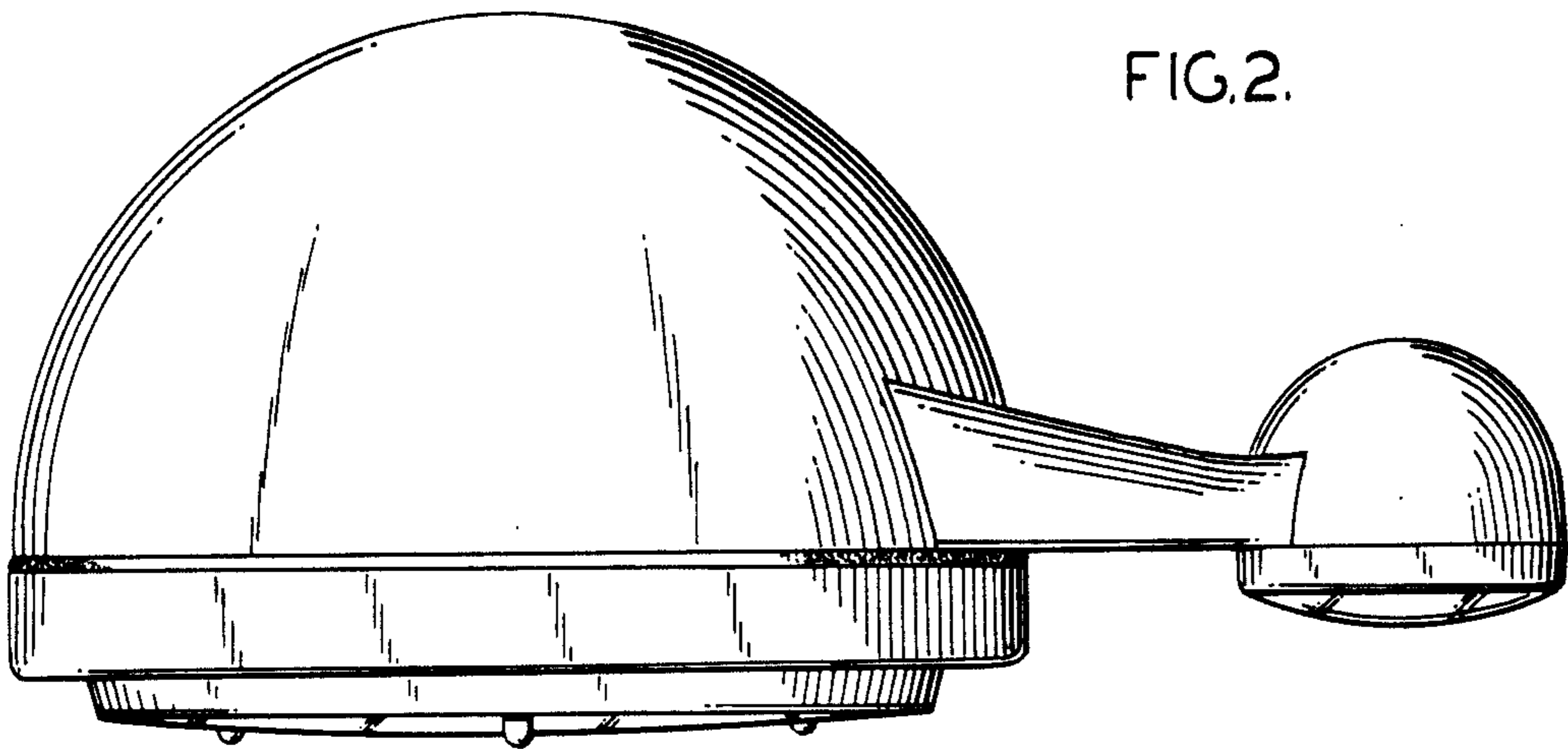


FIG. 2.

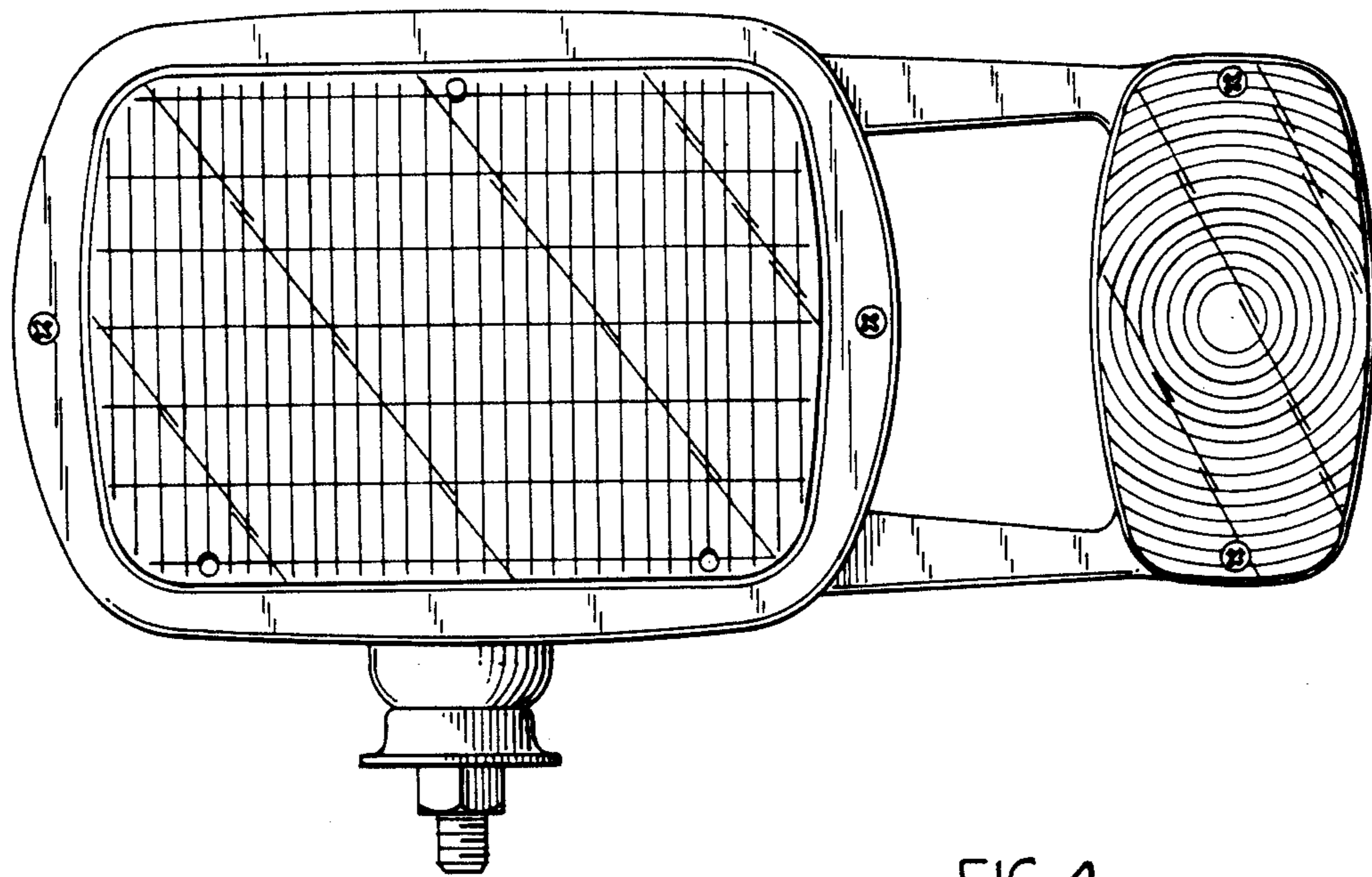


FIG. 3.

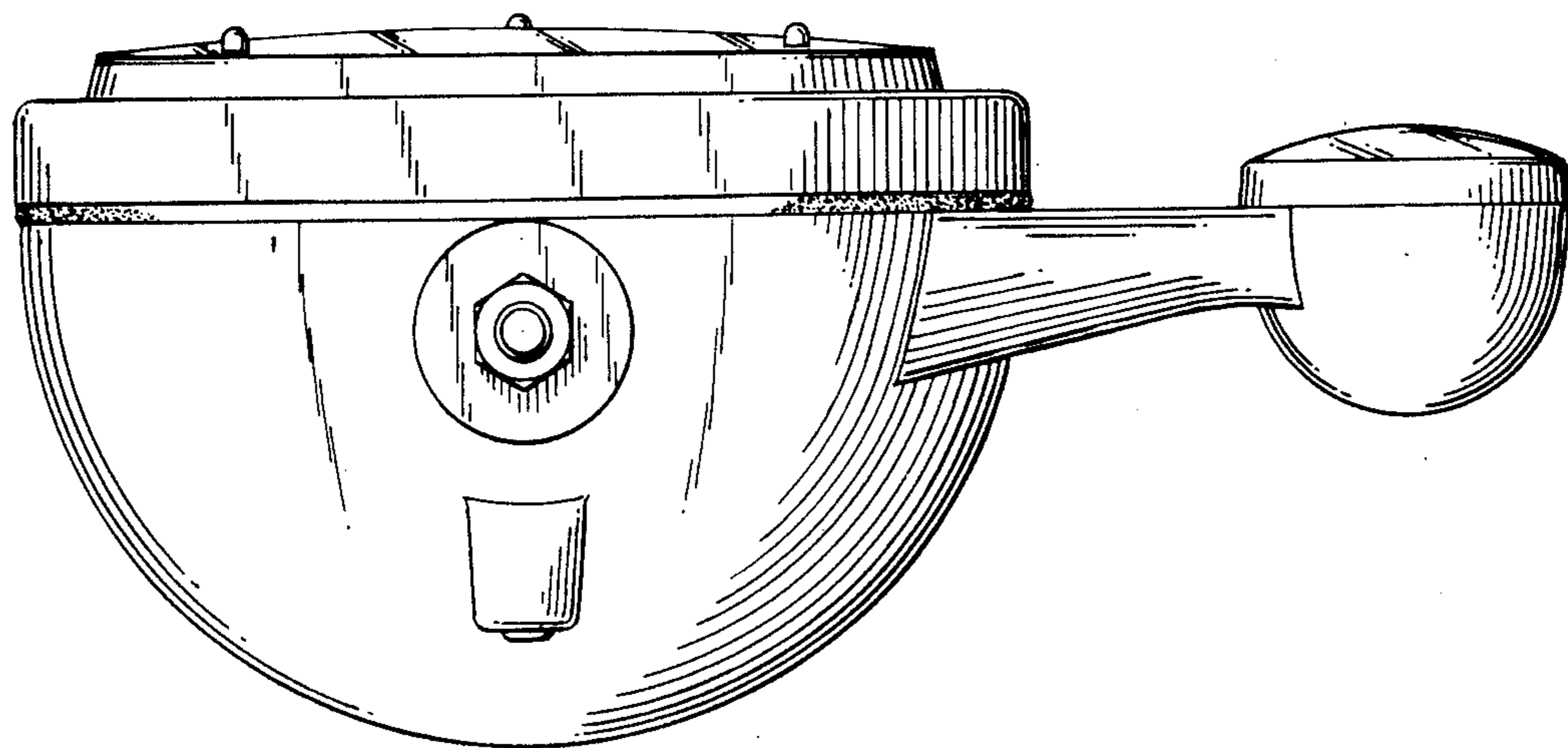


FIG. 4.

FIG. 5.

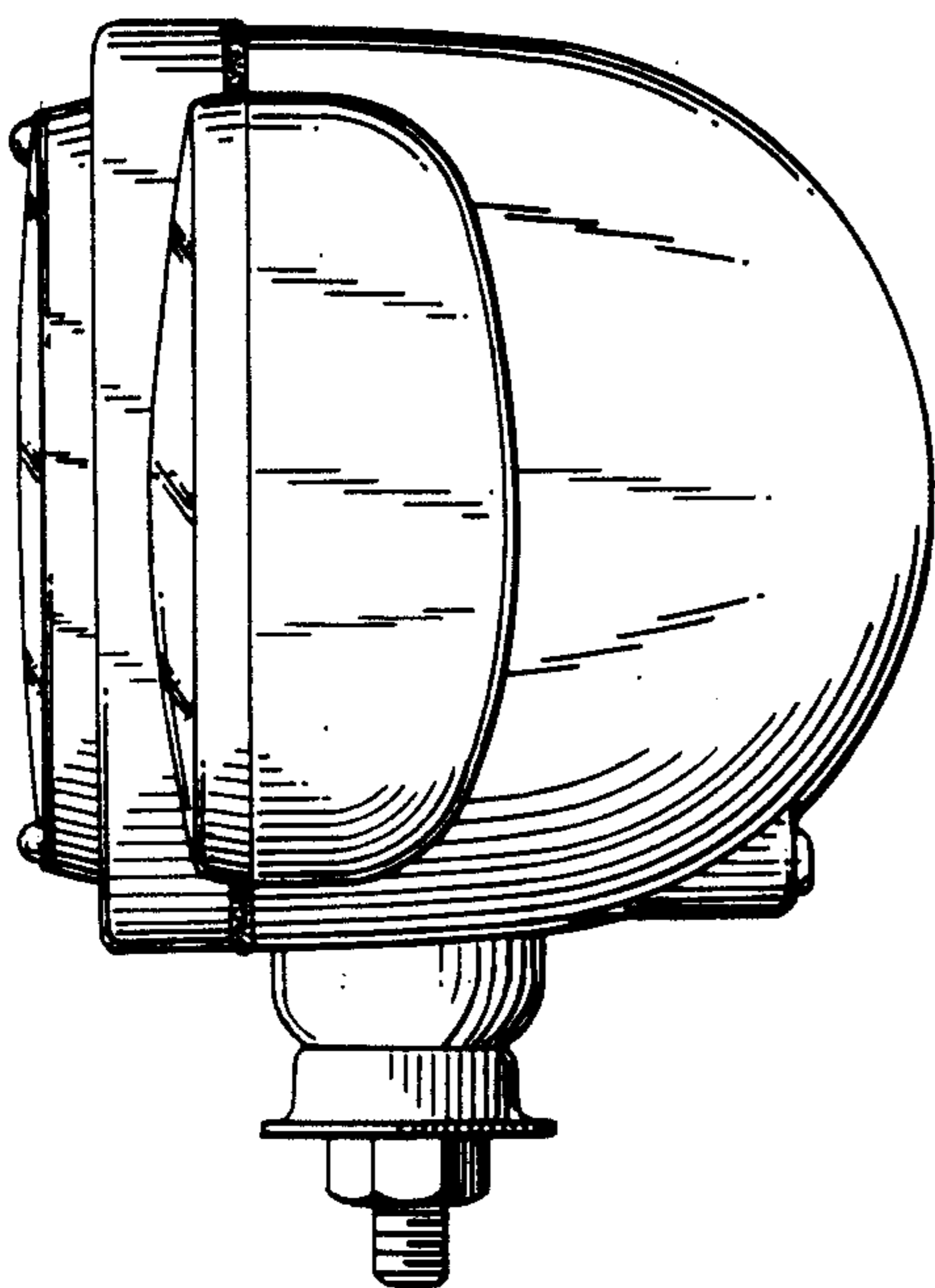


FIG. 6.

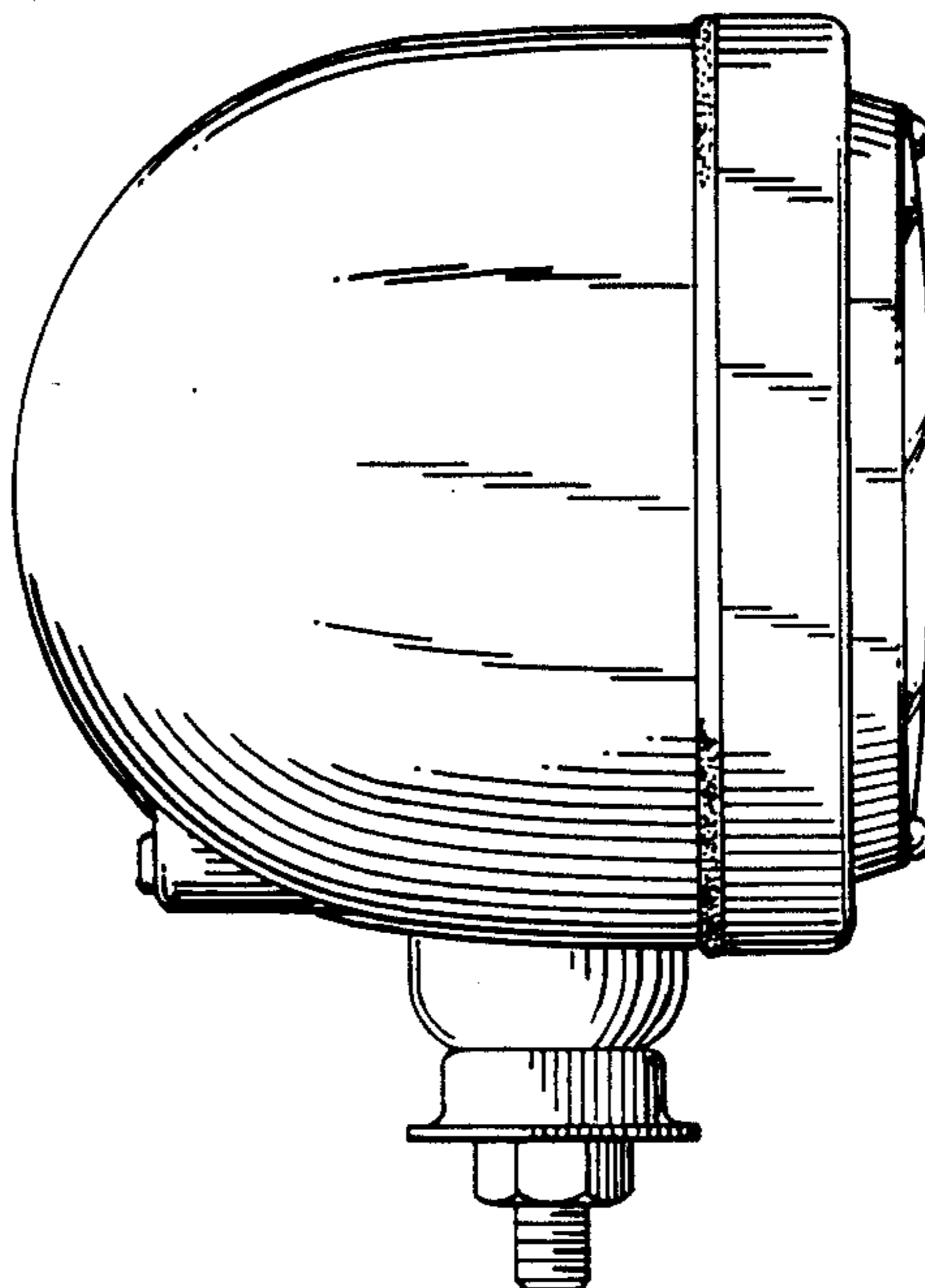


FIG. 7.

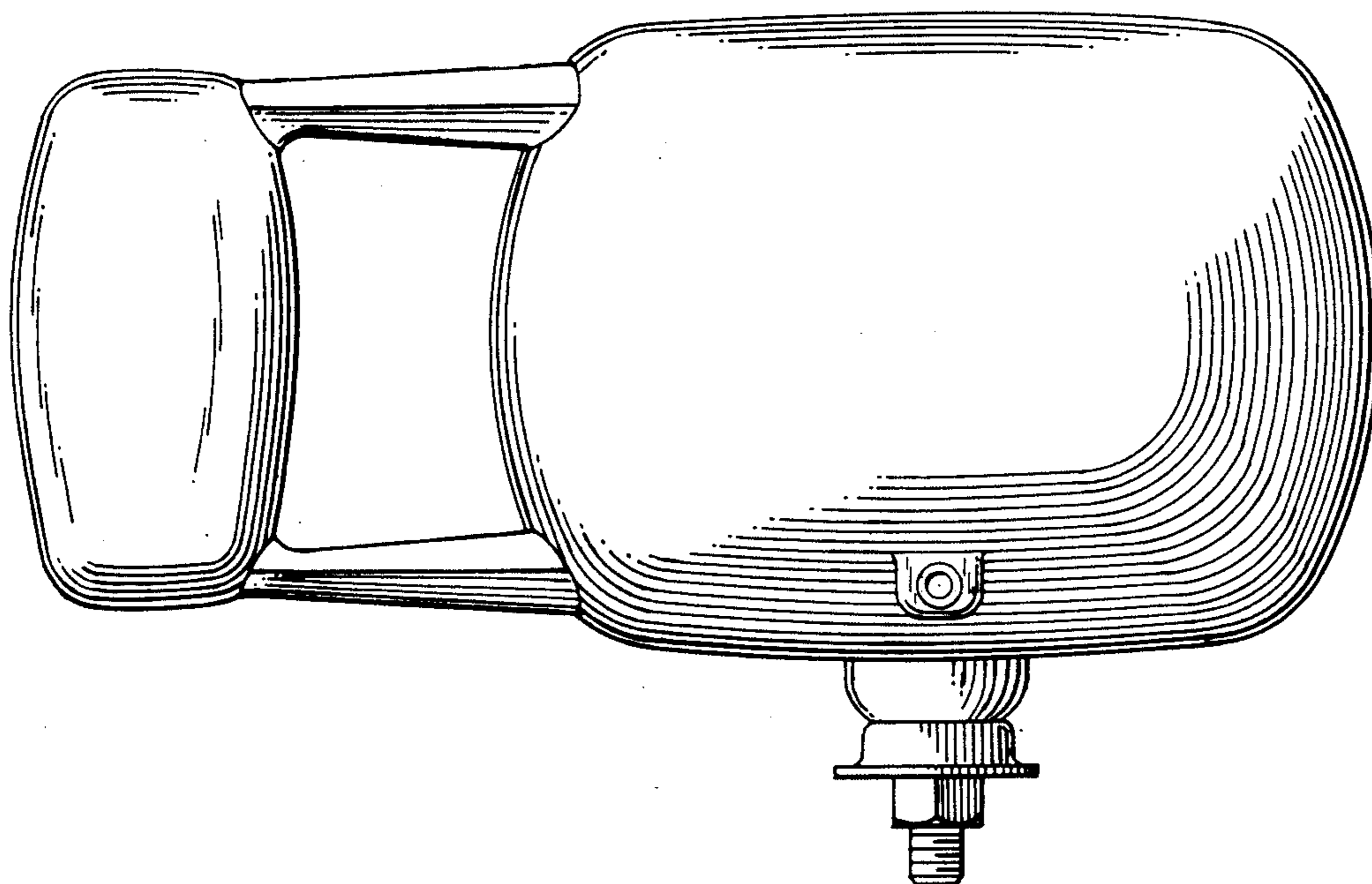


FIG. 8.

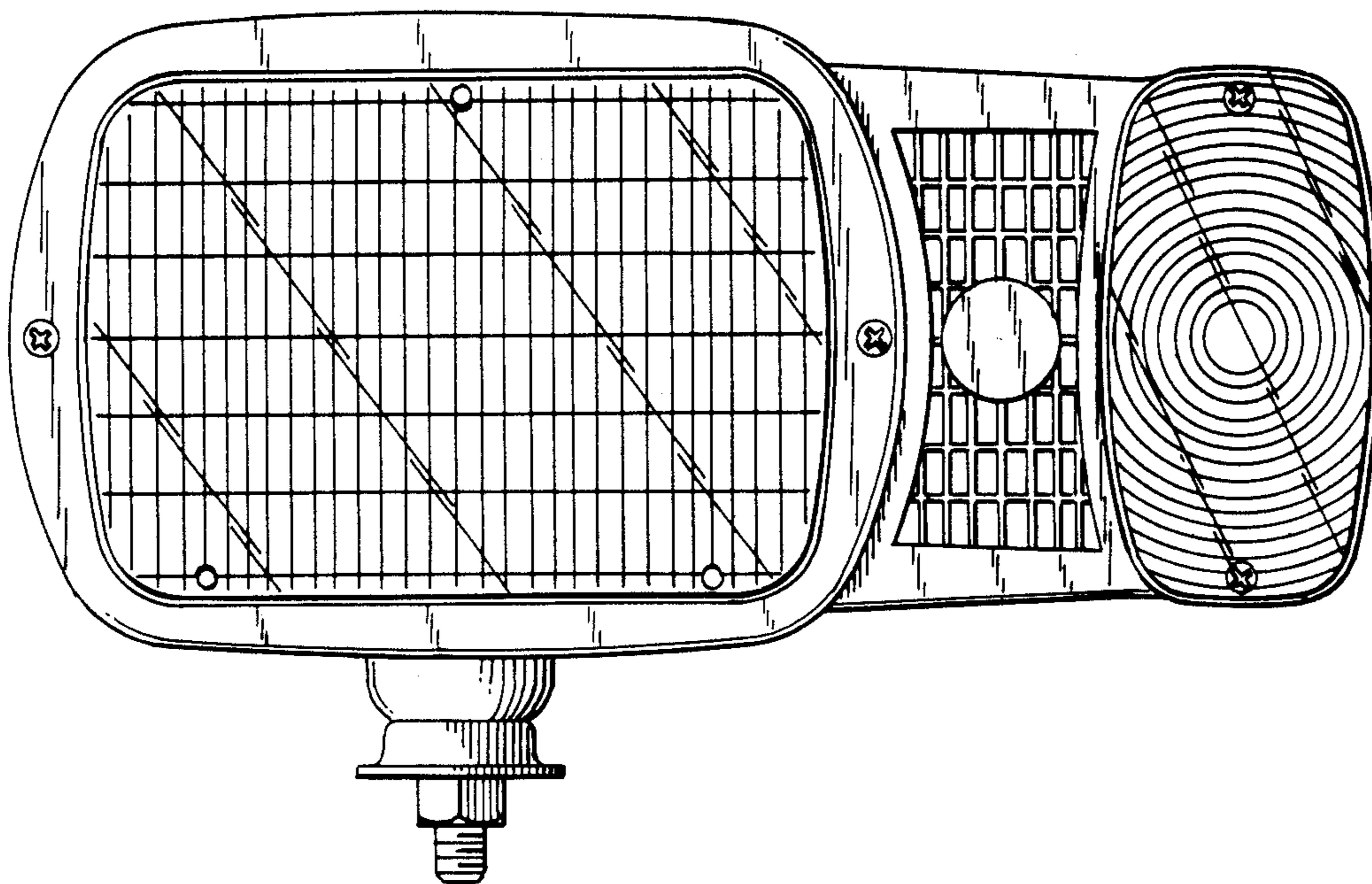


FIG. 9.

