

[54] **NEBULIZER CUP**

[75] **Inventor:** William A. DeVroom, Glendale, Calif.

[73] **Assignee:** Baxter Travenol Laboratories, Inc.

[\*\*] **Term:** 14 Years

[21] **Appl. No.:** 957,791

[22] **Filed:** Nov. 6, 1978

[51] **Int. Cl.** ..... D24-02

[52] **U.S. Cl.** ..... D24/62

[58] **Field of Search** ..... 128/200.14, 200.16, 128/200.17, 200.18, 200.19, 200.21, 200.22, 203.12; D24/17, 62, 99; 215/1 C

[56] **References Cited**

**U.S. PATENT DOCUMENTS**

D. 227,311	6/1973	Argy et al. ....	D24/62
D. 230,896	3/1974	Edwards .....	D24/62
D. 239,879	5/1976	Komendowski .....	D24/17
D. 242,176	11/1976	Levine .....	D24/62

3,690,317	9/1972	Millman .....	128/200.16
3,774,602	11/1973	Edwards .....	128/200.16
3,804,280	4/1974	Van Amerongen et al. ....	215/1 C
3,806,100	4/1974	Cornett et al. ....	128/200.16
3,807,713	4/1974	Cornett et al. ....	128/200.13 X
3,828,773	8/1974	Buch et al. ....	128/200.16
3,851,029	11/1974	Cornett et al. ....	128/200.16 X
4,036,919	7/1977	Komendowski et al. ...	128/200.18 X
4,058,120	11/1977	Caparelli et al. ....	128/203.12

*Primary Examiner*—Bernard Ansher  
*Attorney, Agent, or Firm*—John P. Kirby

[57] **CLAIM**

The ornamental design for a nebulizer cup, as shown.

**DESCRIPTION**

FIG. 1 is a perspective view of a nebulizer cup embodying my new design;

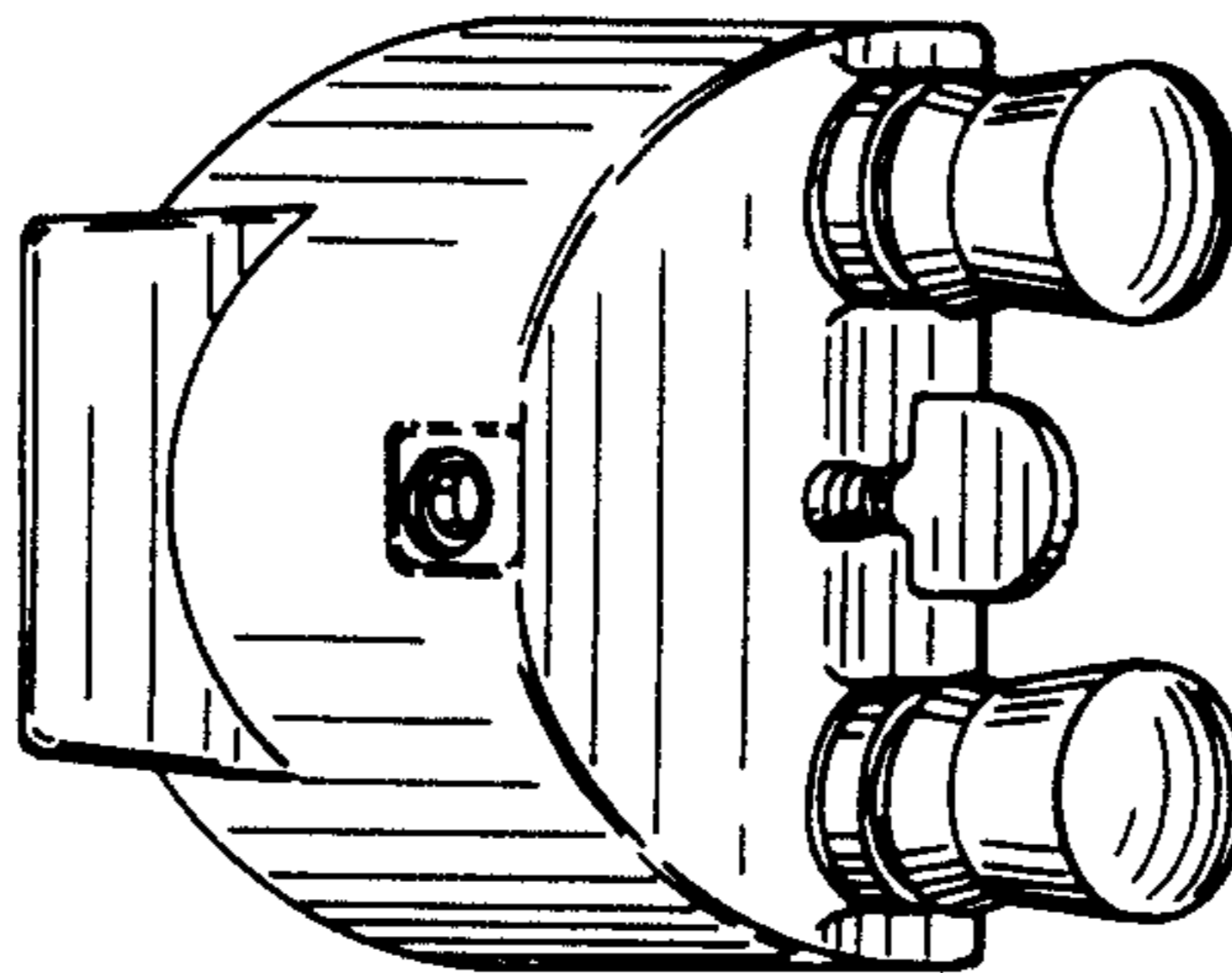
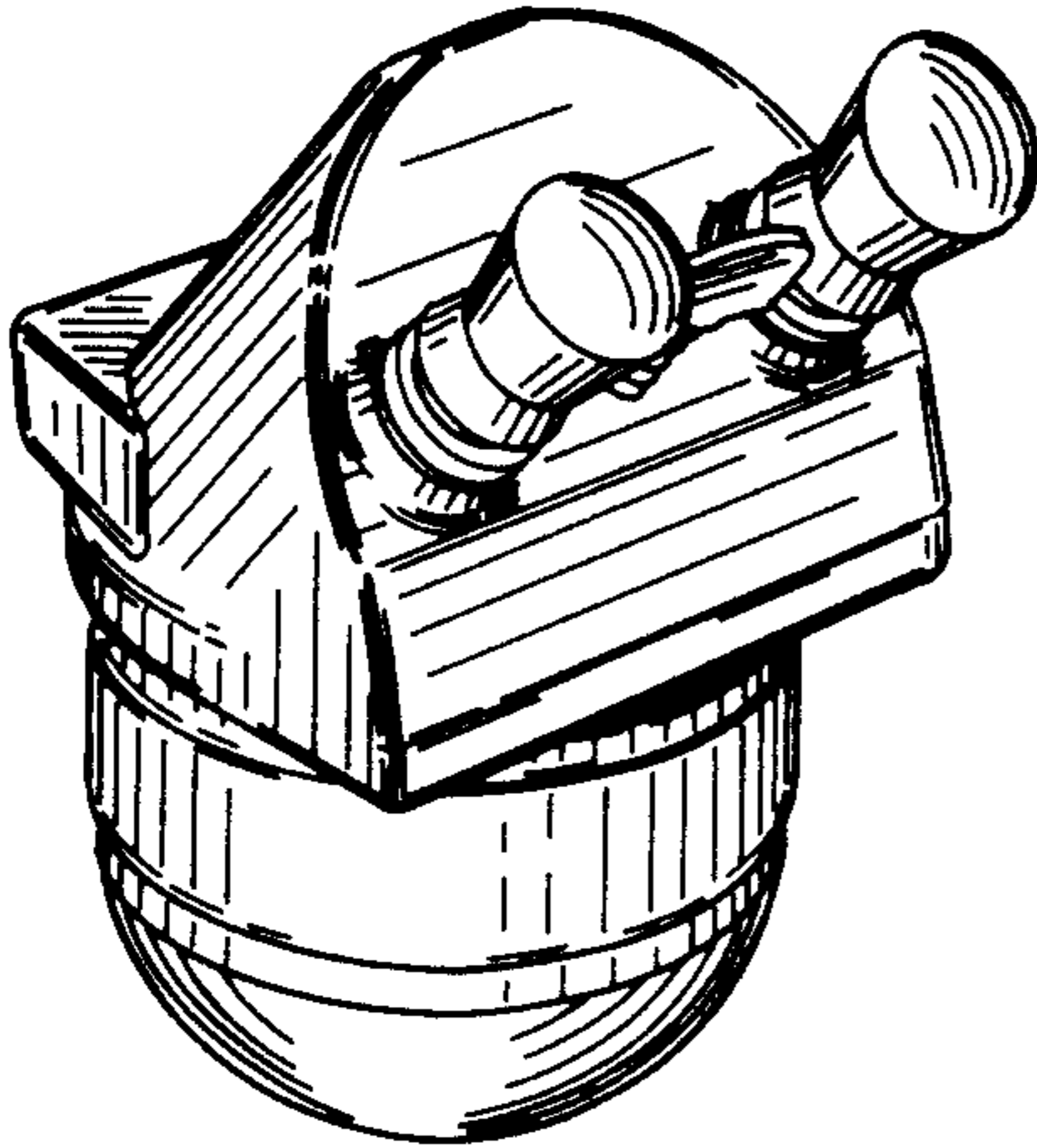
FIG. 2 is a top plan view thereof;

FIG. 3 is a rear elevational view thereof;

FIG. 4 is a side elevational view thereof;

FIG. 5 is a front elevational view thereof;

FIG. 6 is a bottom plan view thereof.



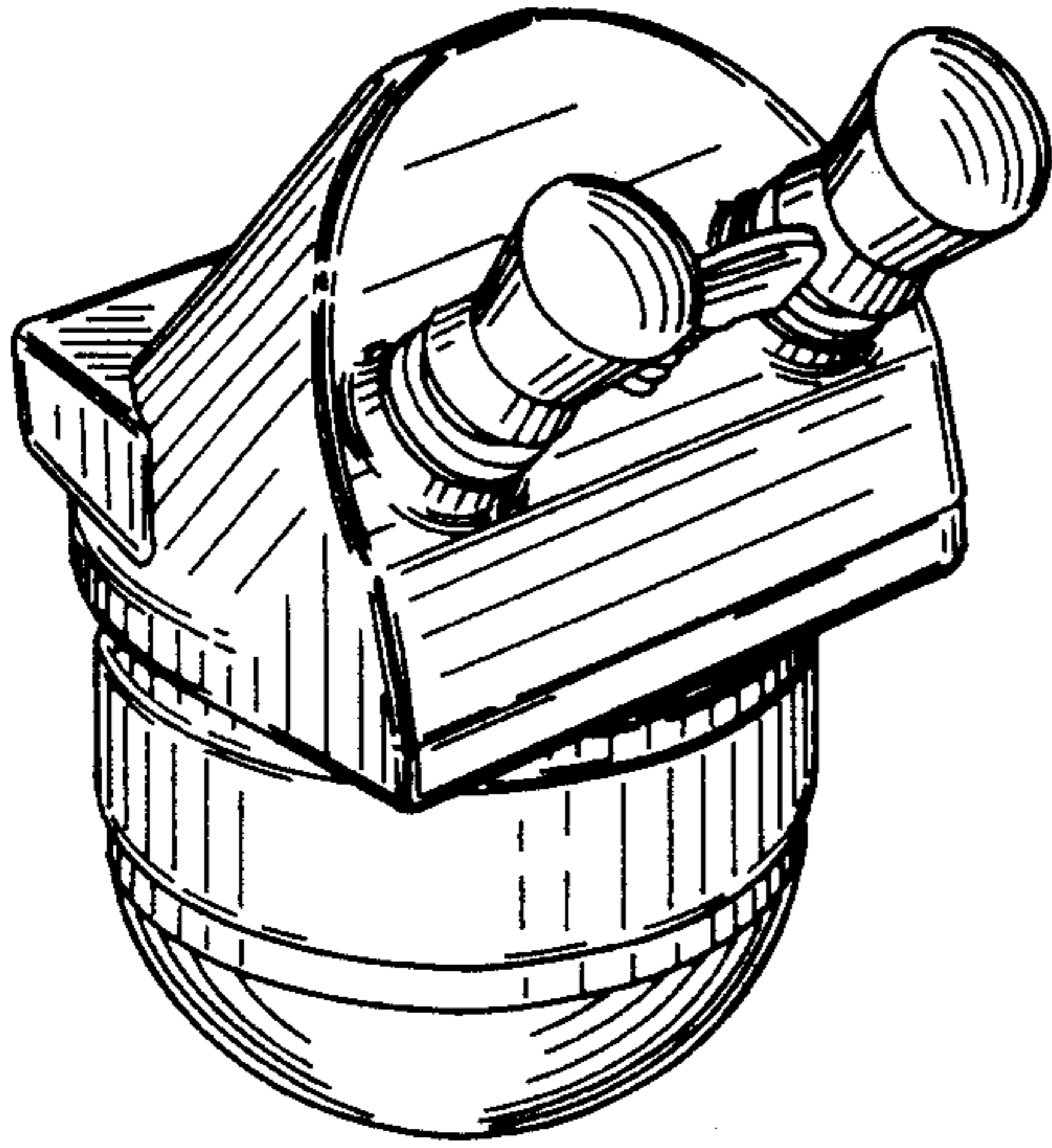


FIG. 1

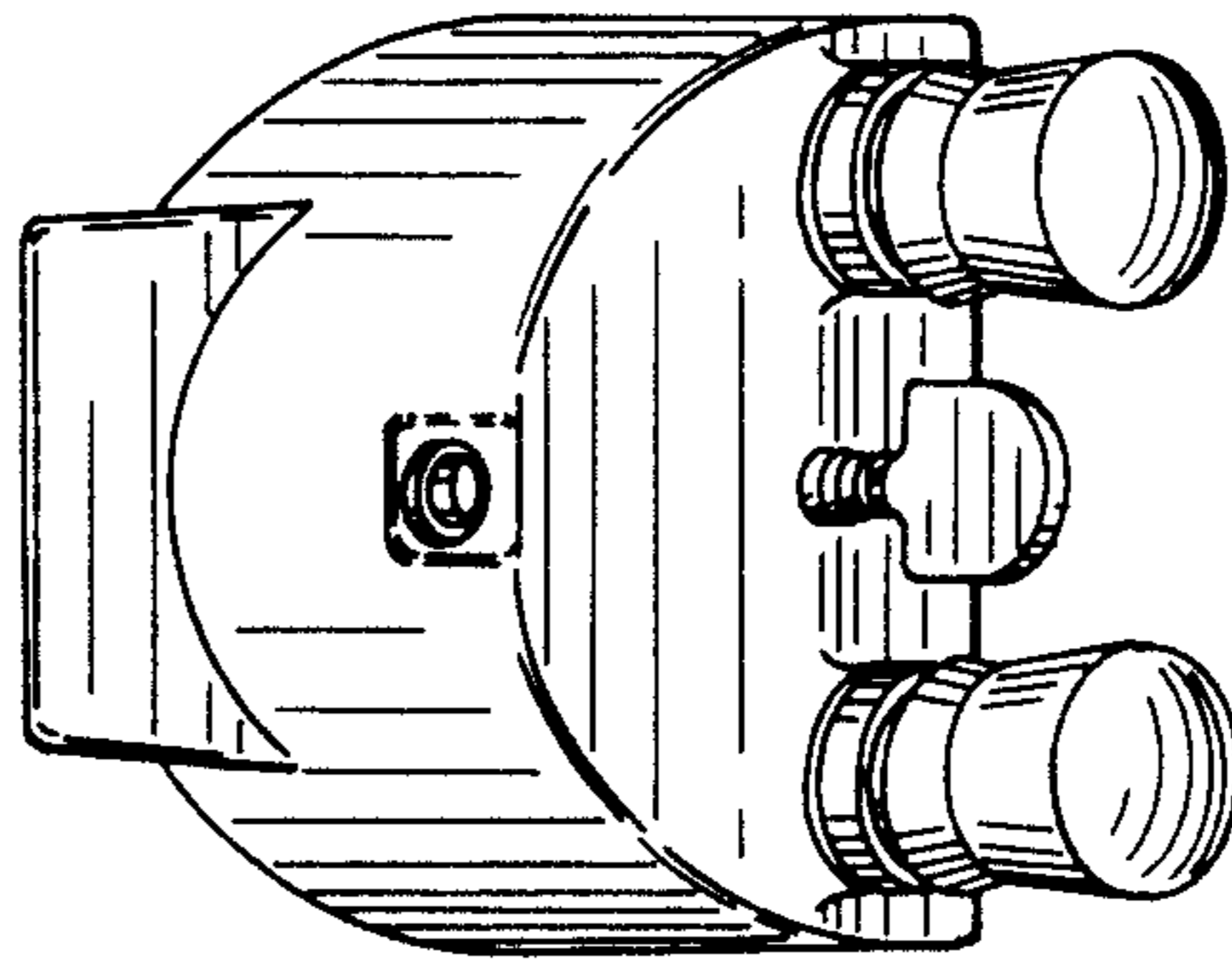


FIG. 2

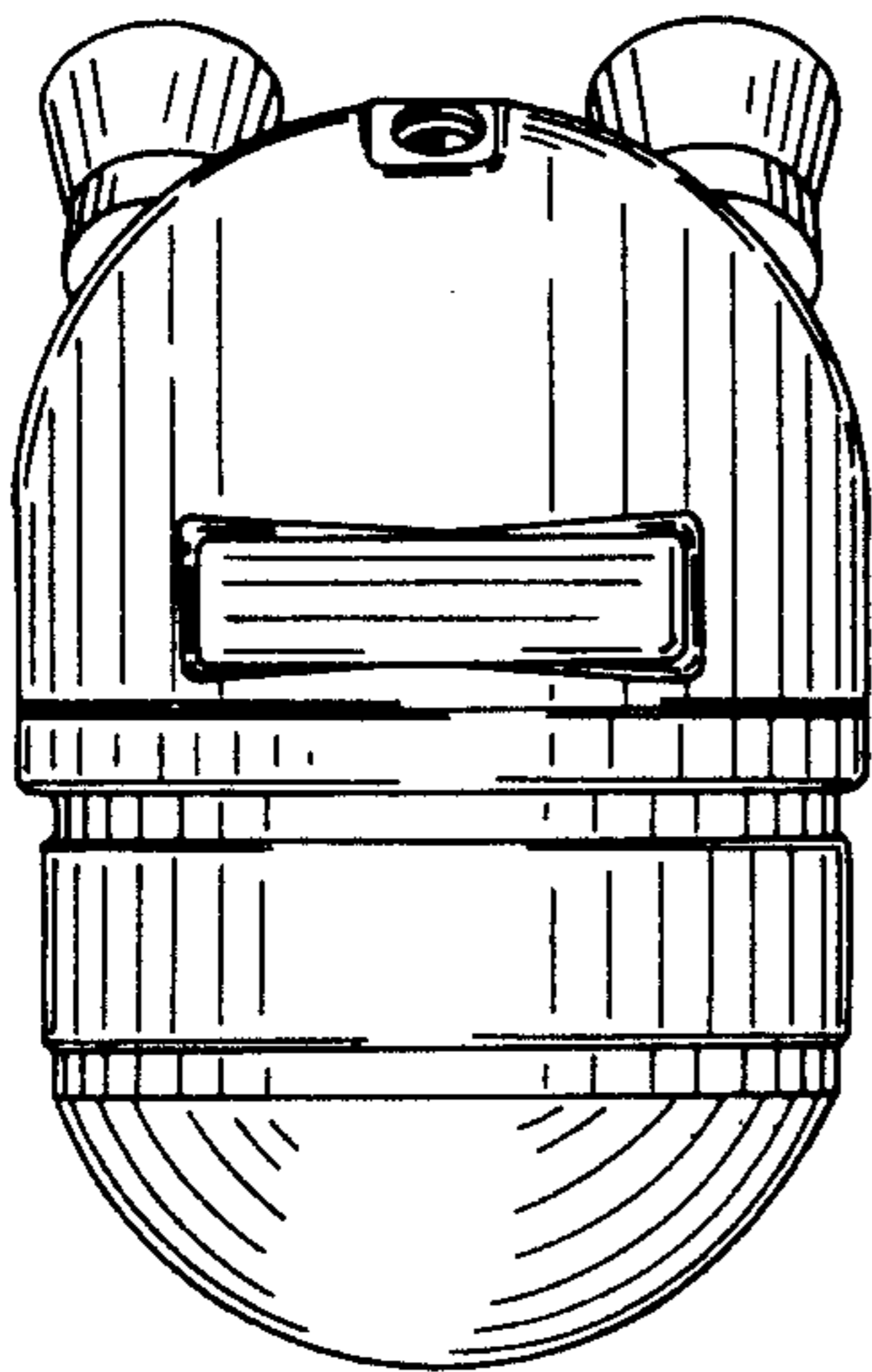


FIG. 3

FIG. 4

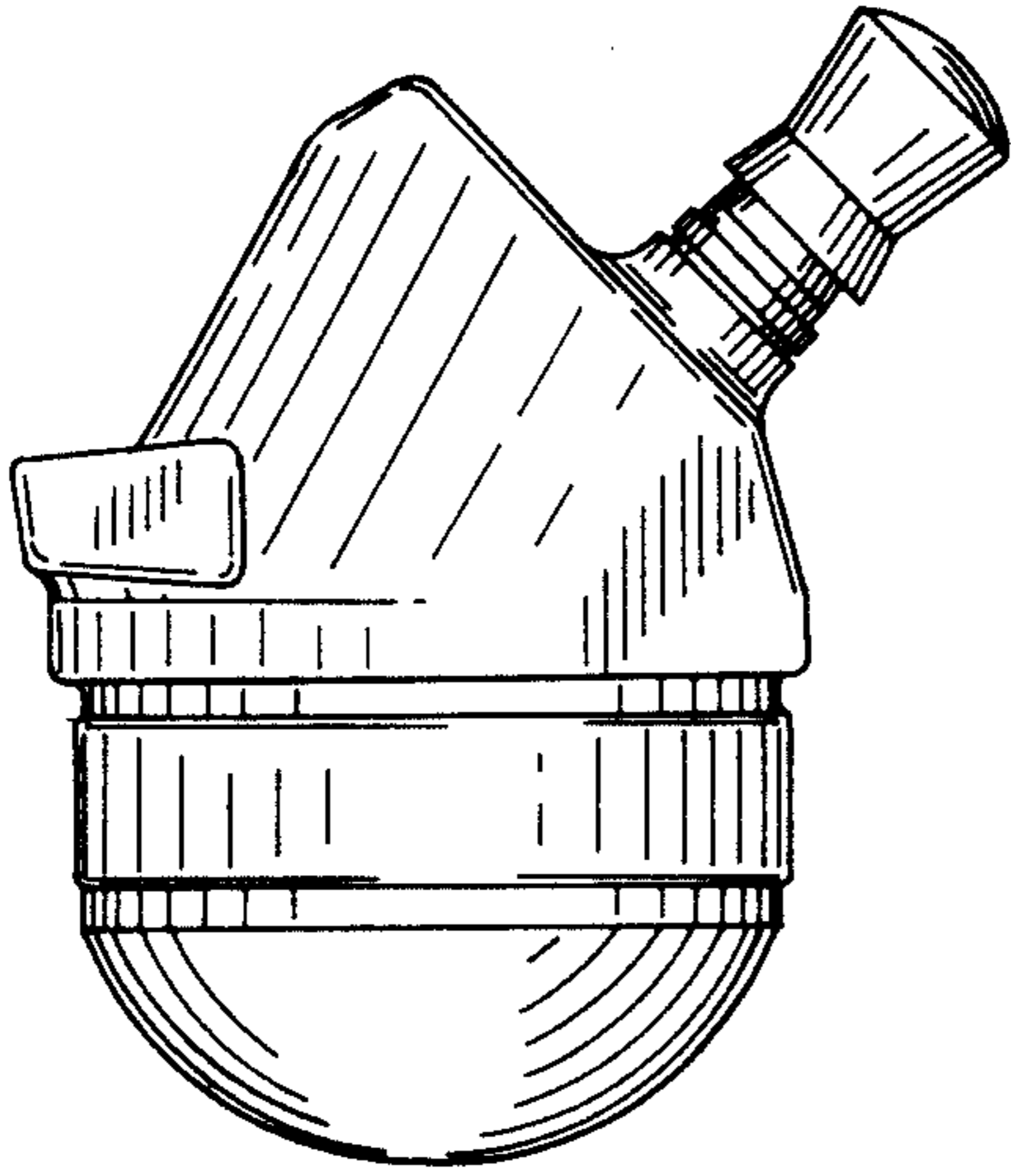


FIG. 5

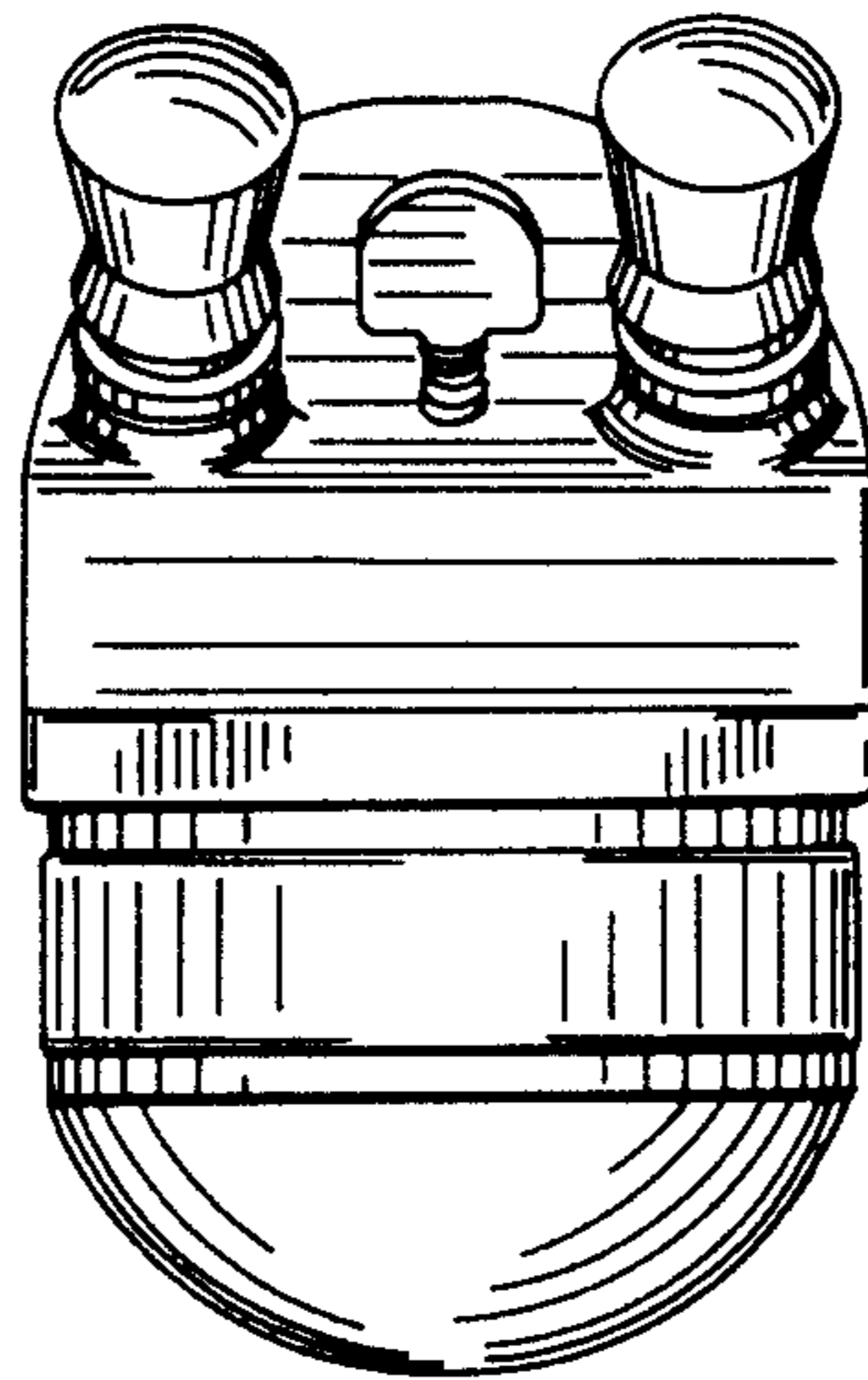


FIG. 6

