

[54] FISHING REEL

[75] Inventor: Seiji Myojo, Sakai, Japan

[73] Assignee: Shimano Industrial Company Limited, Osaka, Japan

[**] Term: 14 Years

[21] Appl. No.: 897,523

[22] Filed: Apr. 17, 1978

[30] Foreign Application Priority Data

Oct. 22, 1977 [JP] Japan 52-42093[U]

[51] Int. Cl. D22-05

[52] U.S. Cl. D22/25

[58] Field of Search 242/84.41, 84.42, 84.43, 242/217; D22/25, 26

[56] References Cited

U.S. PATENT DOCUMENTS

3,447,760 6/1969 Sarah 242/84.42

OTHER PUBLICATIONS

Spiegel Catalog-Spring & Summer 1959, p. 293 (Reel at bottom right marked Pflueger).

Primary Examiner—Sam Rosen

Attorney, Agent, or Firm—Stevens, Davis, Miller & Mosher

[57] CLAIM

The ornamental design for a fishing reel, as shown and described.

DESCRIPTION

FIG. 1 is a left side and front perspective view of a fishing reel showing my new design;

FIG. 2 is a right side and front perspective view thereof;

FIG. 3 is a plan view thereof; and

FIG. 4 is a right side elevational view thereof.

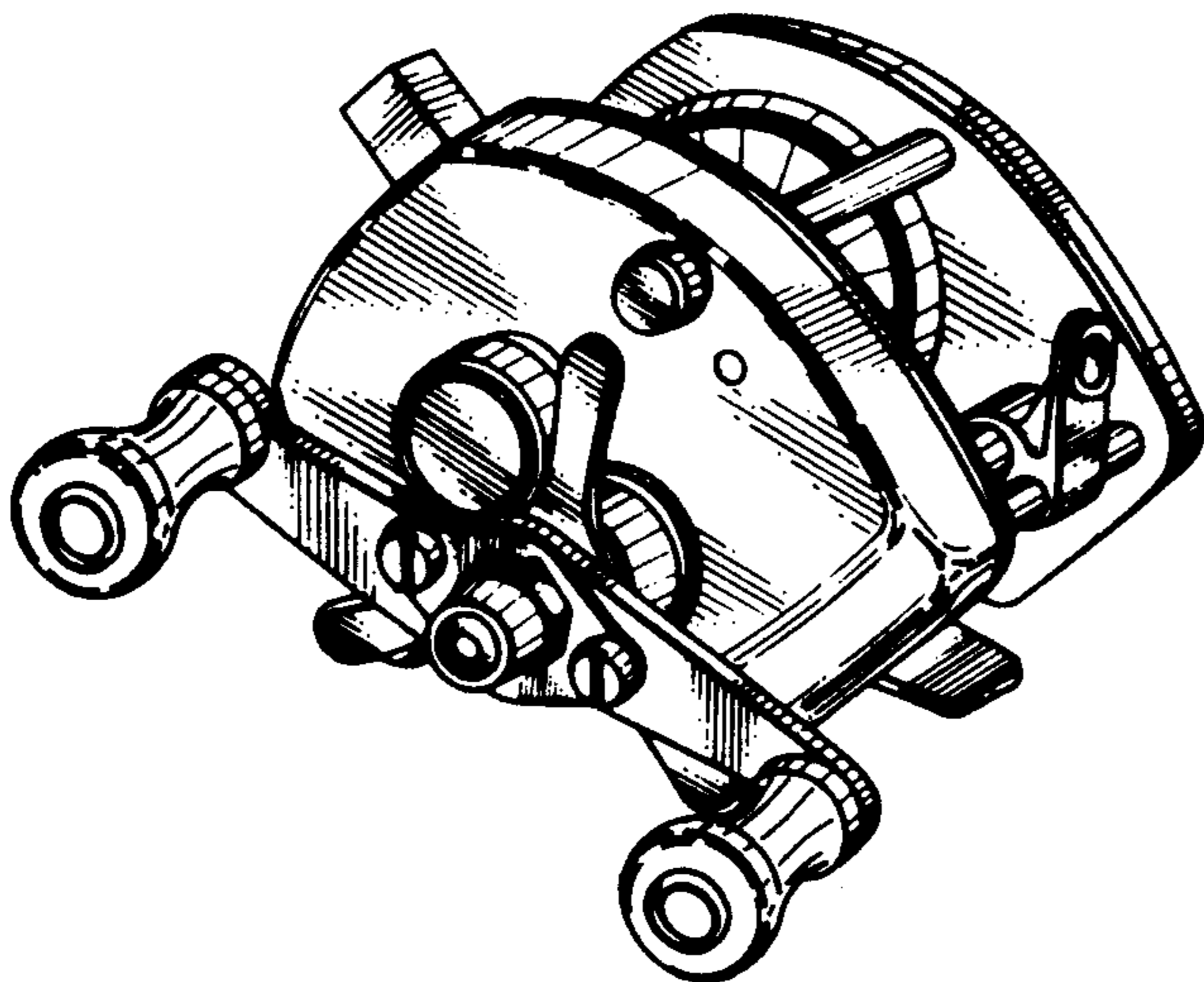


FIG. 1

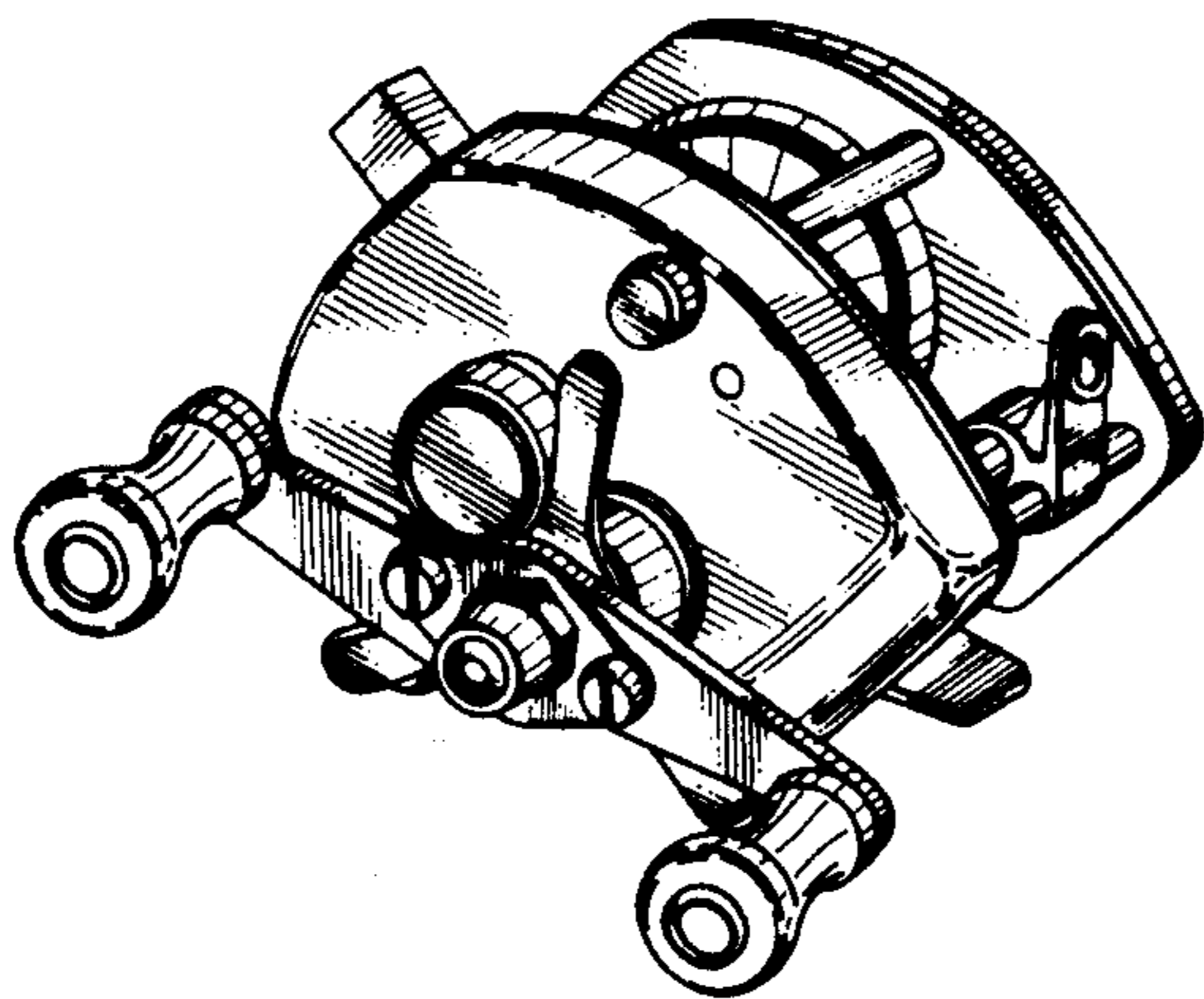


FIG. 2

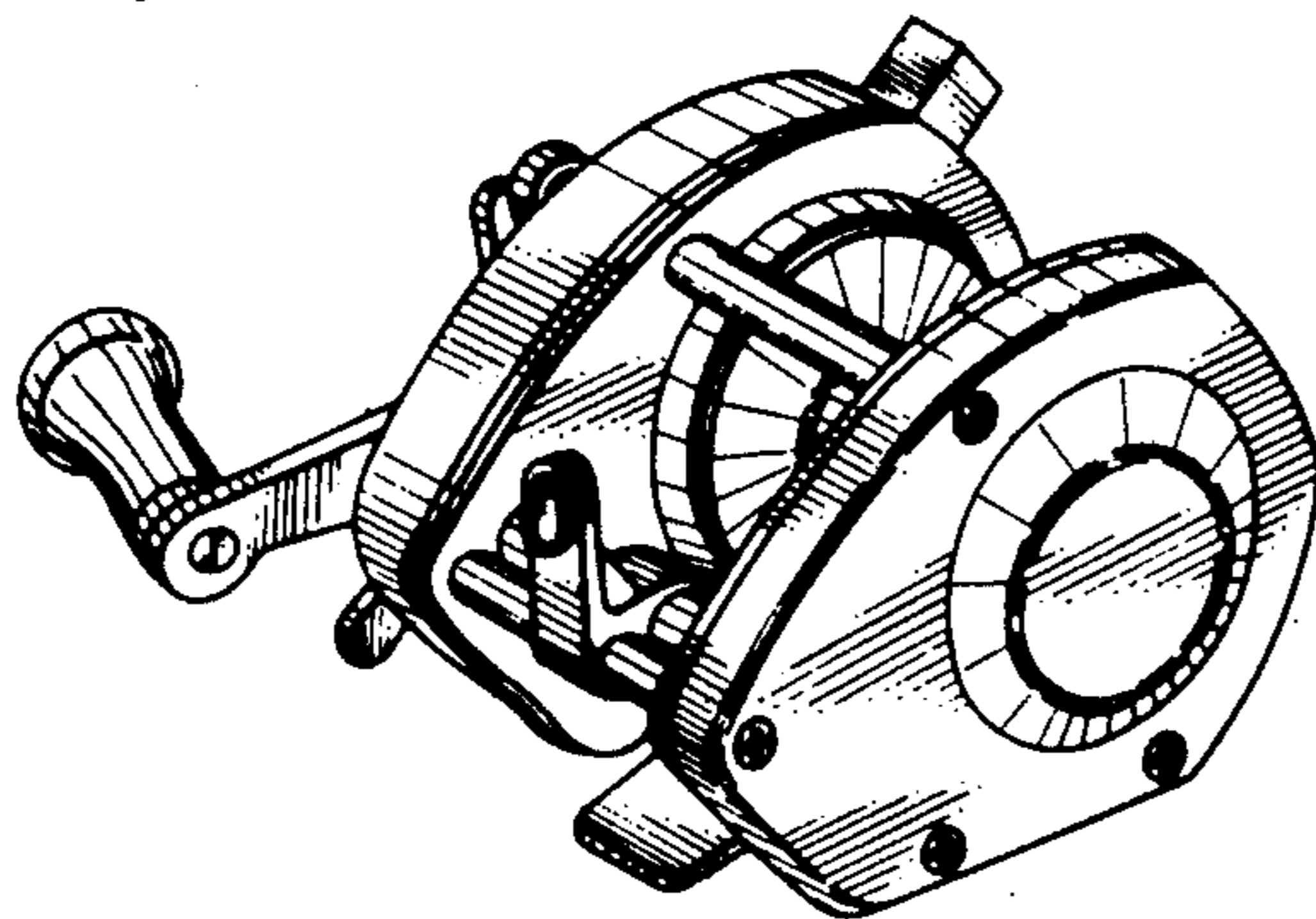


FIG. 3

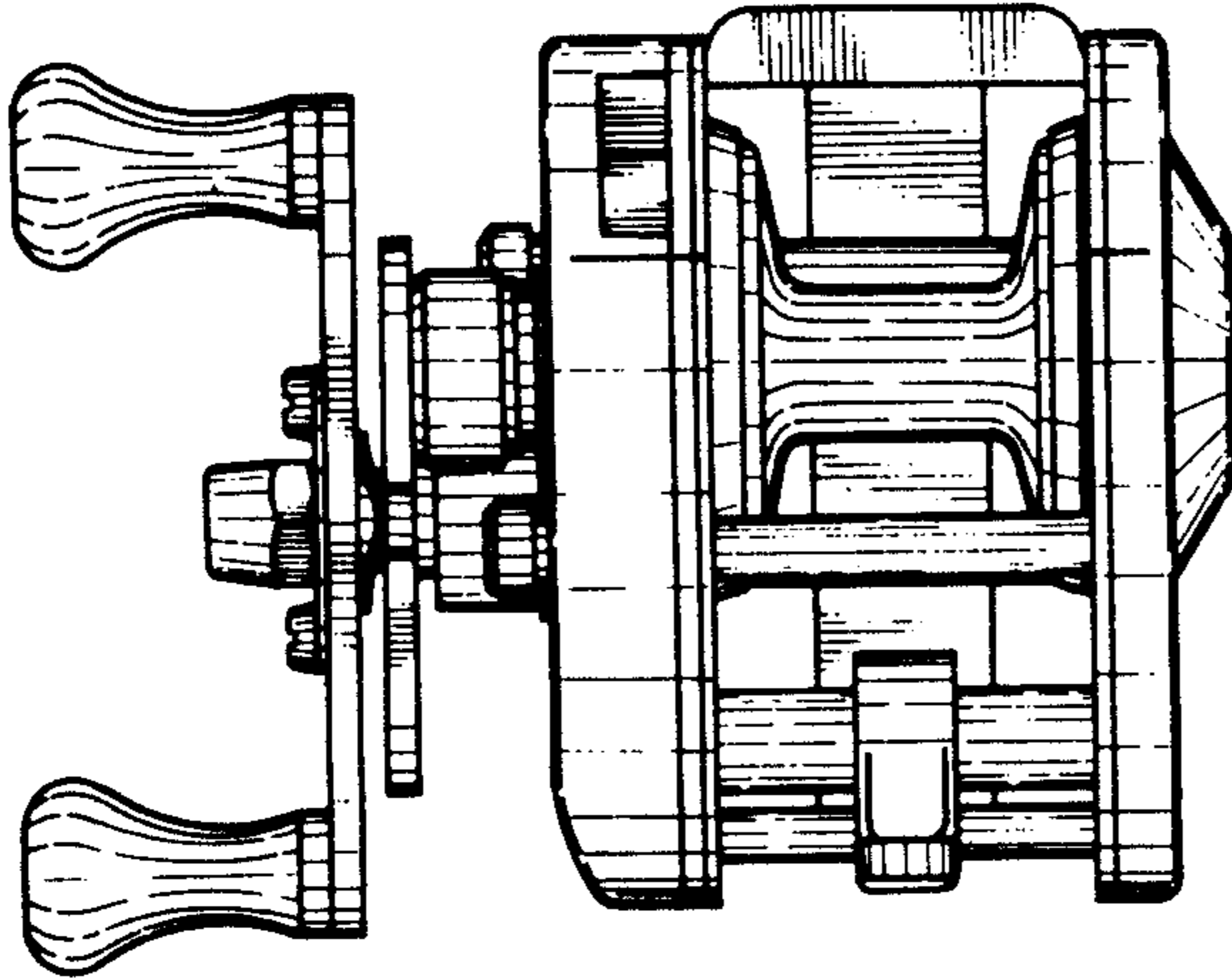


FIG. 4

