

[54] **PRINTER FEEDER FOR PLASTIC LIDS**

3,827,582 8/1974 Lederer 198/786
4,040,513 8/1977 Walls 198/786

[76] Inventor: **Burton K. Cox, 6400 W. 100th St.,
Shawnee Mission, Kans. 66212**

Primary Examiner—W. Stallard
Attorney, Agent, or Firm—Schmidt, Johnson, Hovey &
Williams

[**] Term: **14 Years**

[21] Appl. No.: **852,293**

[57] **CLAIM**

[22] Filed: **Nov. 17, 1977**

The ornamental design for a printer feeder for plastic lids, as shown.

[51] Int. Cl. **D18—02**

[52] U.S. Cl. **D18/13**

[58] Field of Search **D15/199; D18/13, 22,
D18/23; 198/624, 786; 221/259**

DESCRIPTION

FIG. 1 is a perspective view of the printer feeder for plastic lids showing my new design;

FIG. 2 is a perspective view taken from the side opposite to FIG. 1;

FIG. 3 is a side elevational view;

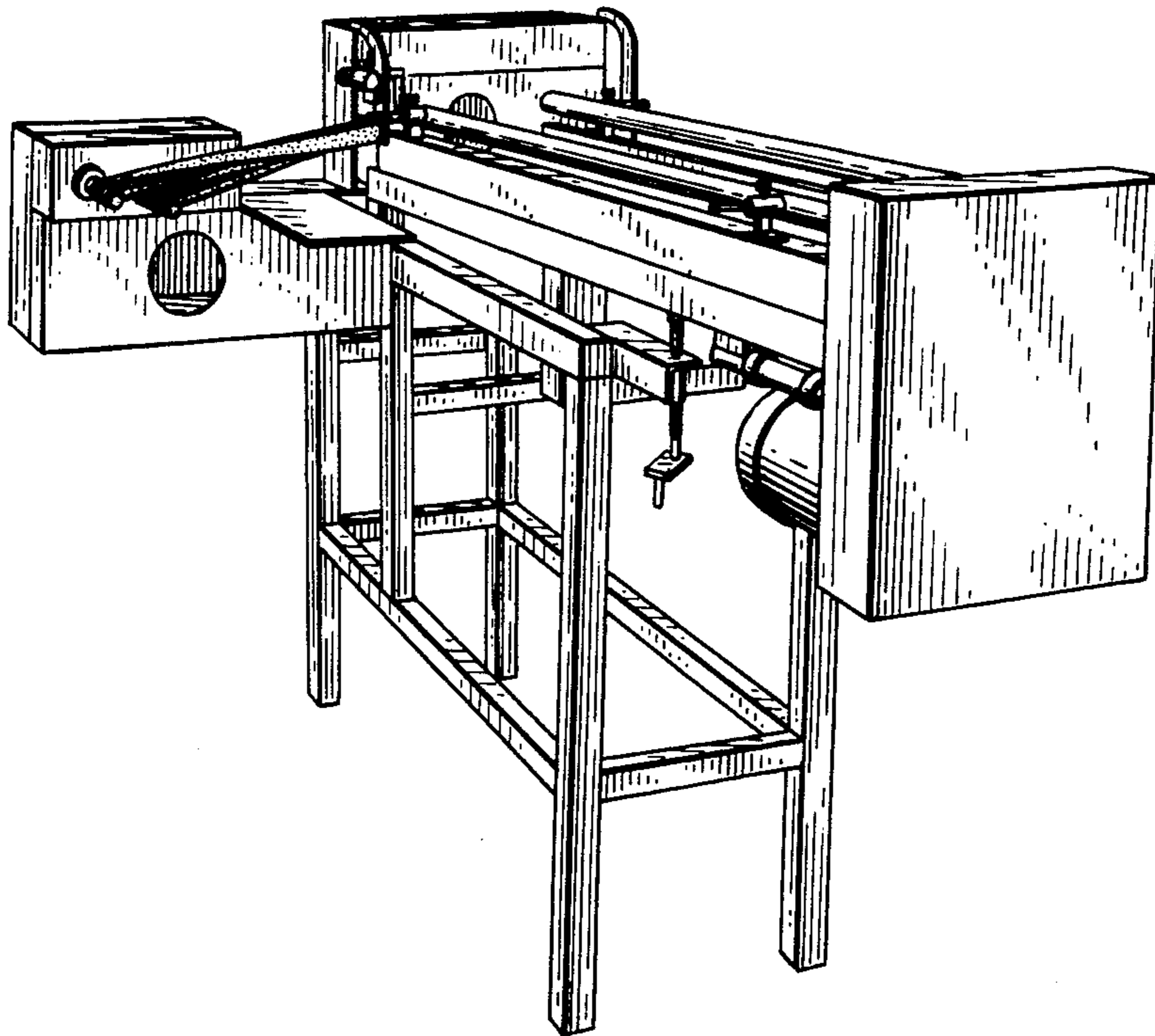
FIG. 4 is a side elevational view of the side opposite to that shown in FIG. 3; and

FIG. 5 is a top plan view thereof.

[56] **References Cited**

U.S. PATENT DOCUMENTS

3,297,130 1/1967 Greck 198/624
3,503,486 3/1970 Alexander et al. 198/786



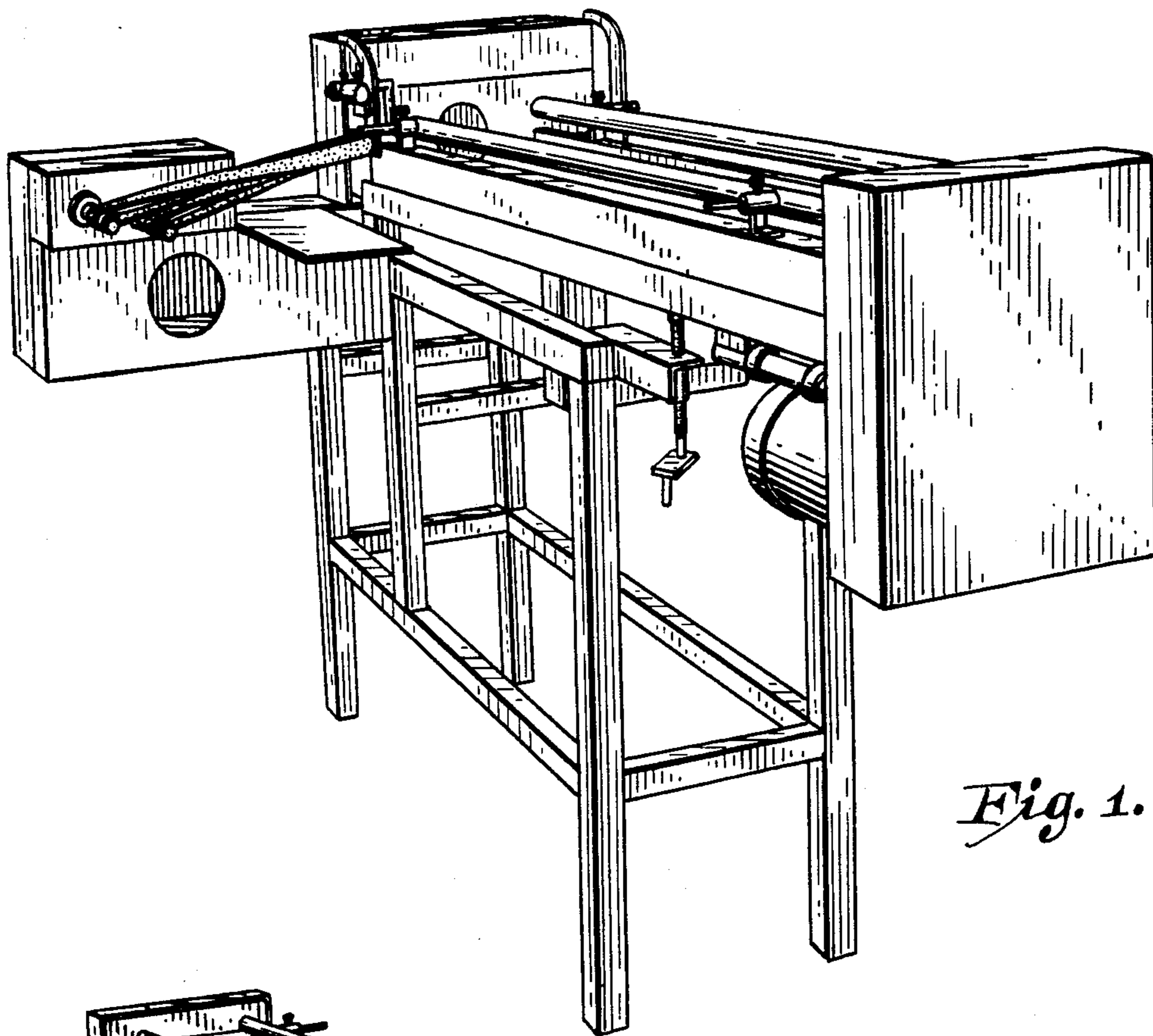


Fig. 1.

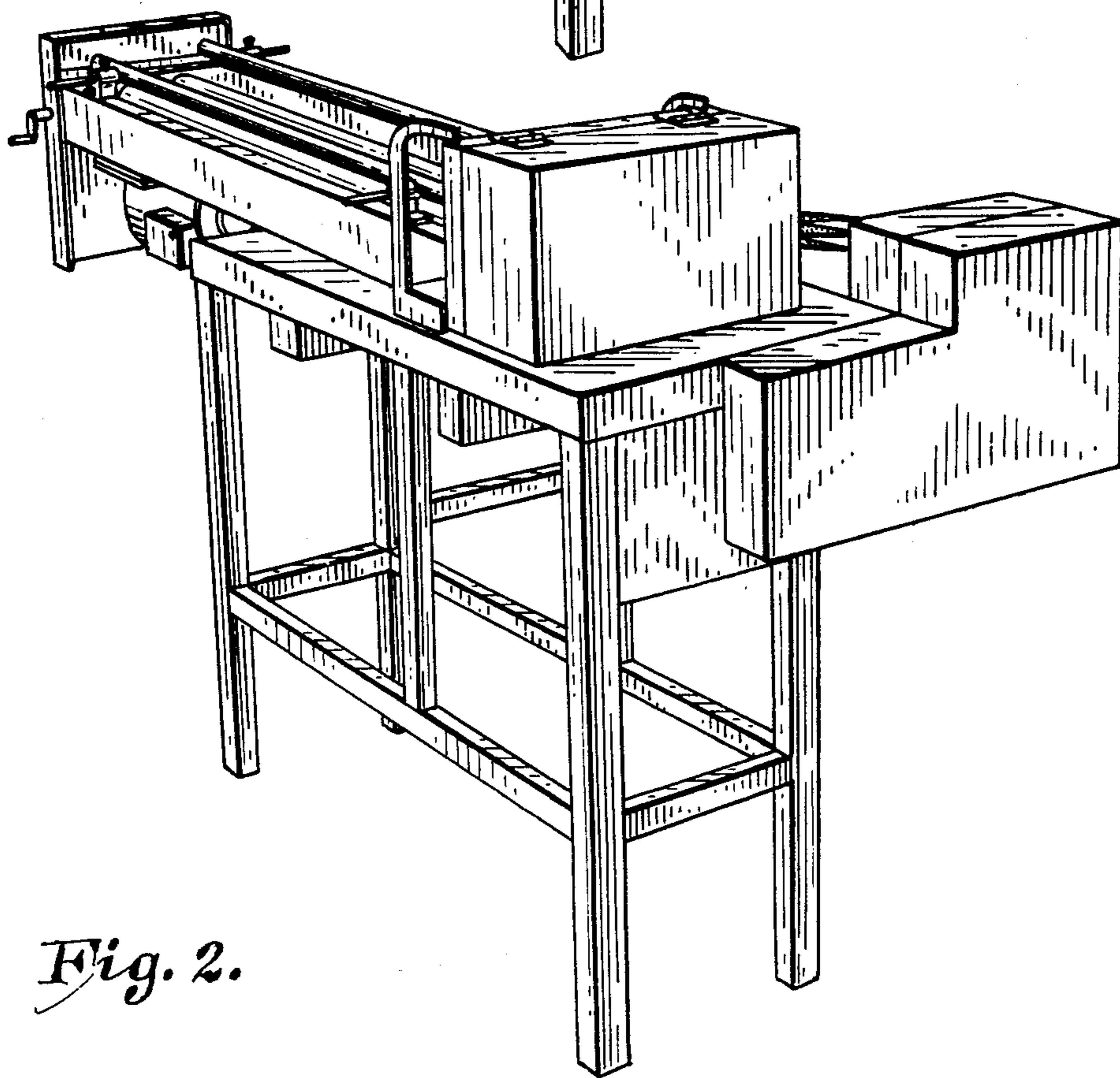


Fig. 2.

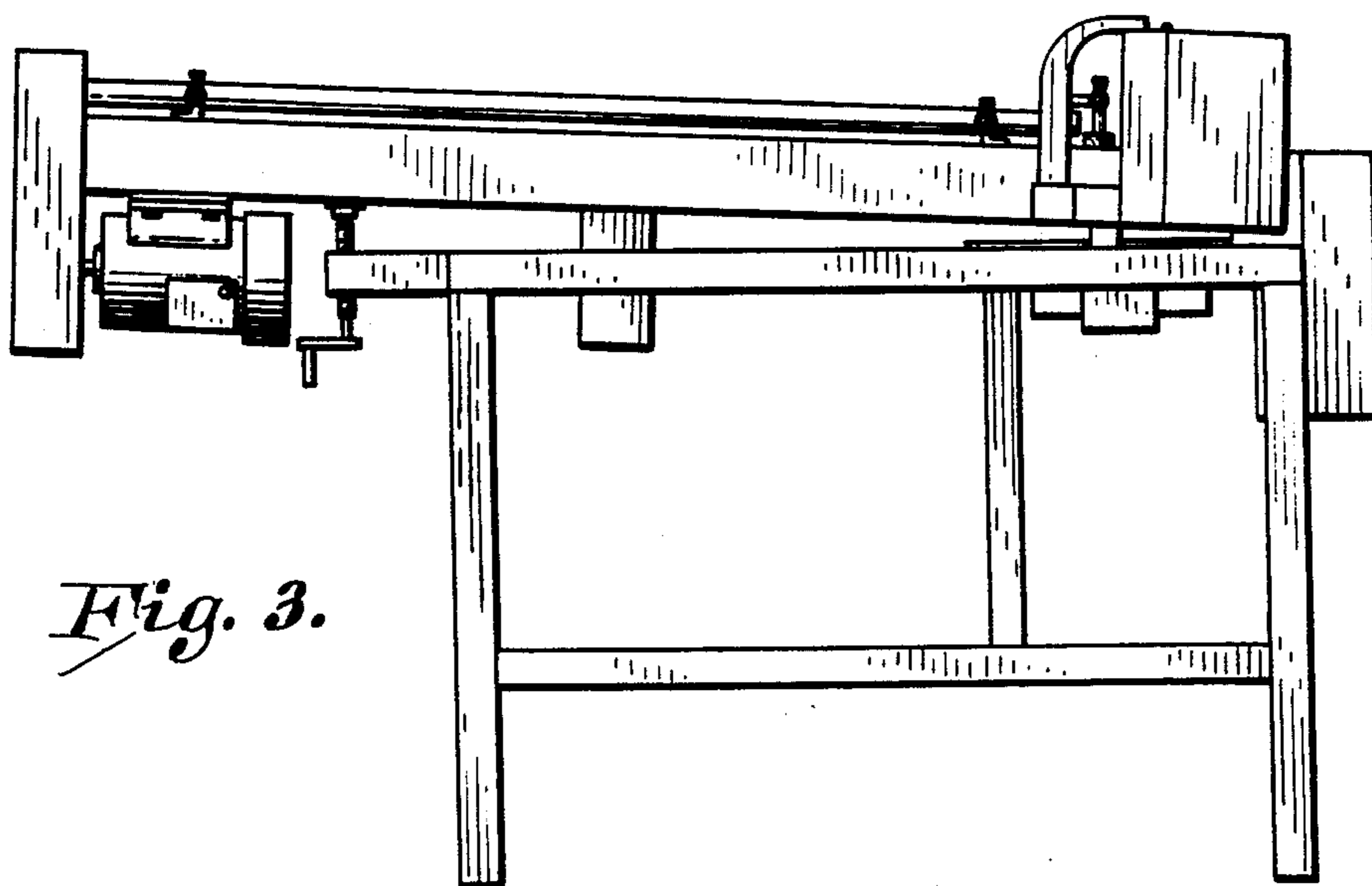


Fig. 3.

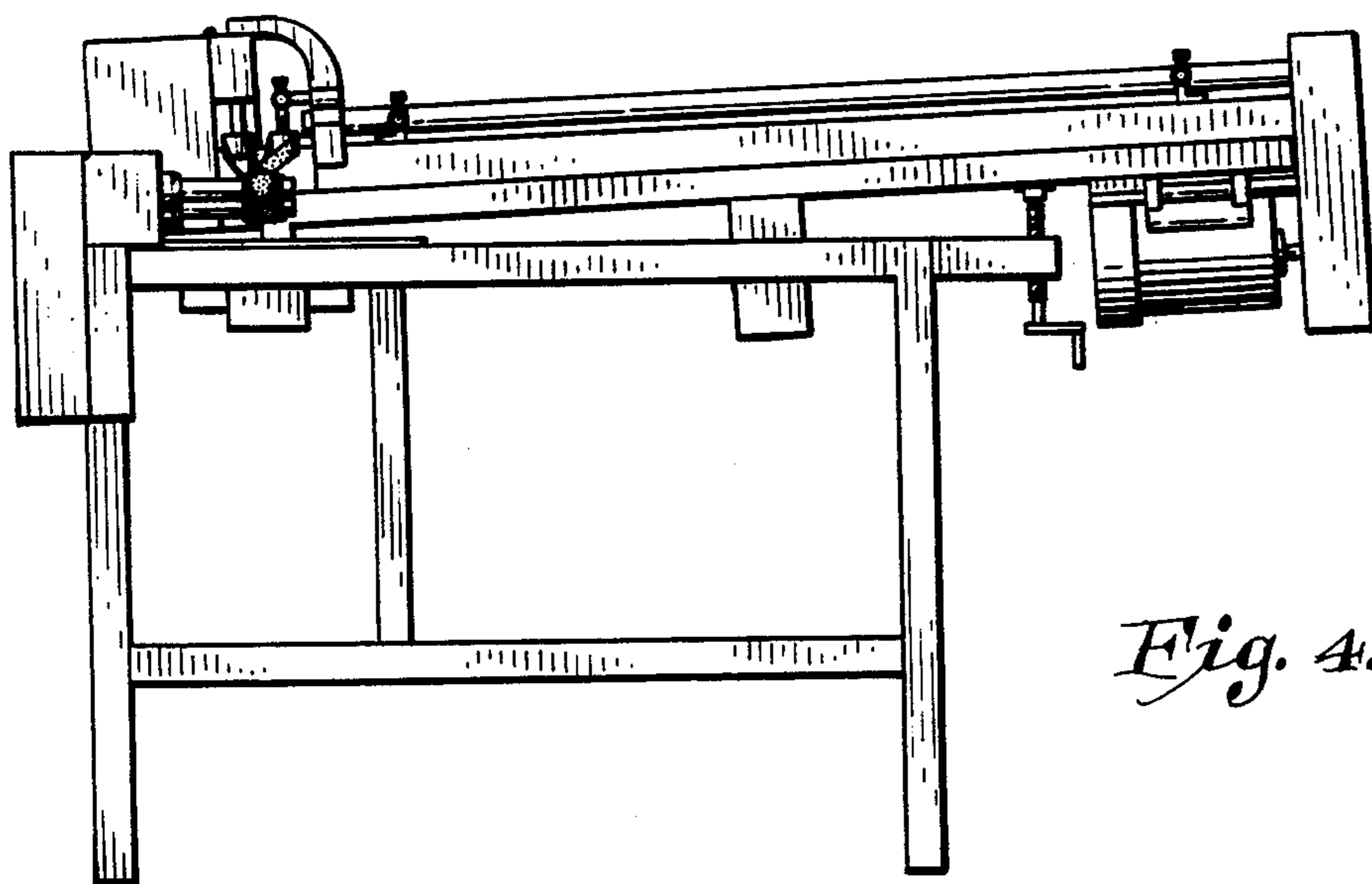


Fig. 4.

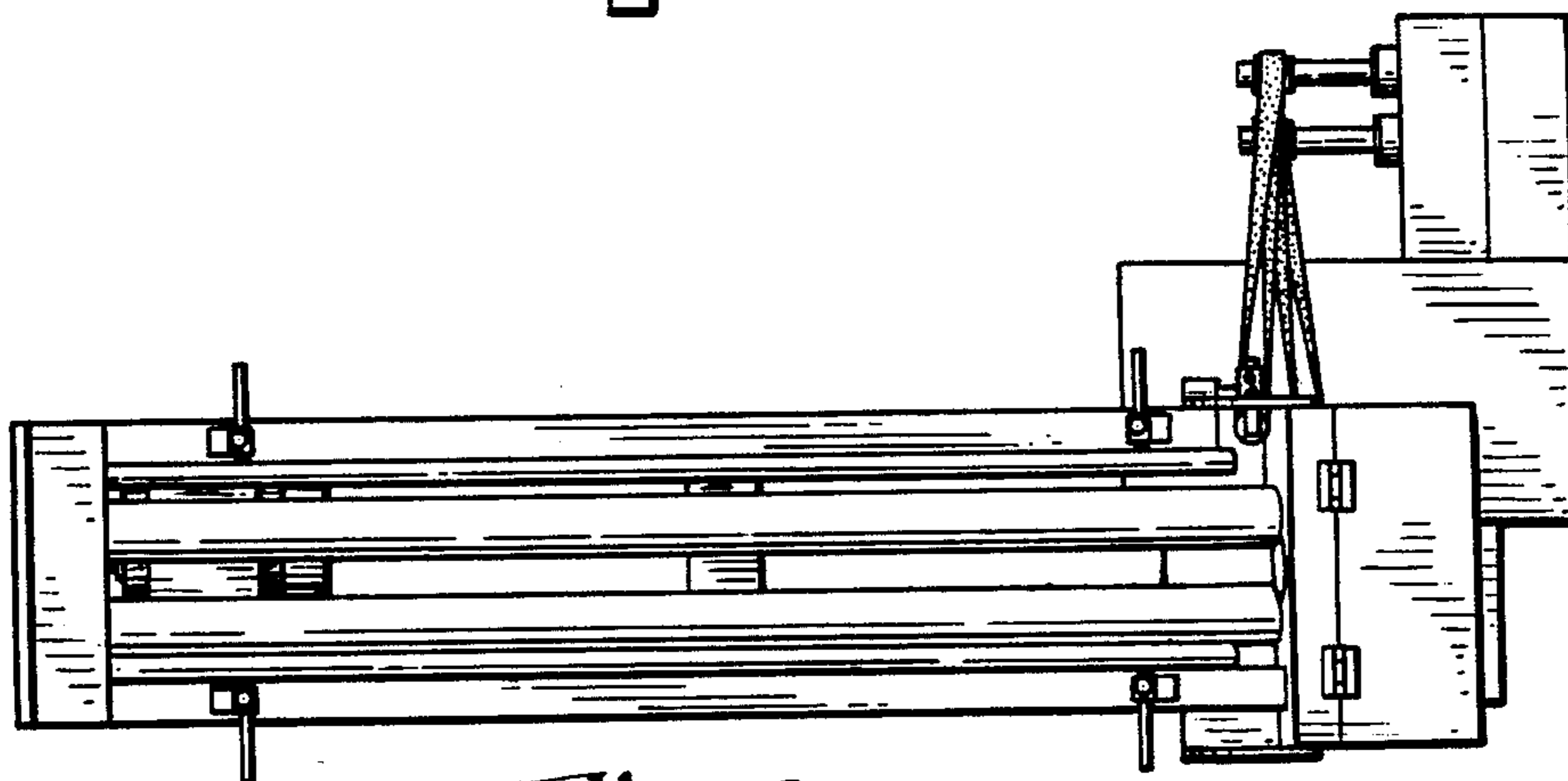


Fig. 5.