

[54] CAN STACKER

[56]

References Cited

U.S. PATENT DOCUMENTS

[76] Inventor: Jack H. Firanzi, P.O. Box 4202, State Line, Nev. 89449

[**] Term: 14 Years

[21] Appl. No.: 803,371

[22] Filed: Jun. 3, 1977

[51] Int. Cl. D9-99
[52] U.S. Cl. D9/456
[58] Field of Search 220/23.83, 4 D, 23.4, 220/23.6, 15; 211/74; 206/130-161, 427, 477, 478, 501-509, 562-565, 821, 822; D9/171, 176-179, 253, 294

| | | | |
|-----------|---------|-------------------|-----------|
| 2,661,097 | 12/1953 | Paul | 206/821 X |
| 3,002,612 | 10/1961 | Poupitch | 206/161 |
| 3,232,424 | 2/1966 | Stein et al. | 206/160 |
| 3,410,398 | 11/1968 | Arneson | 206/159 |
| 3,454,156 | 7/1969 | Chatten | 206/160 |
| 3,760,974 | 9/1973 | Oglesbee | 211/74 X |

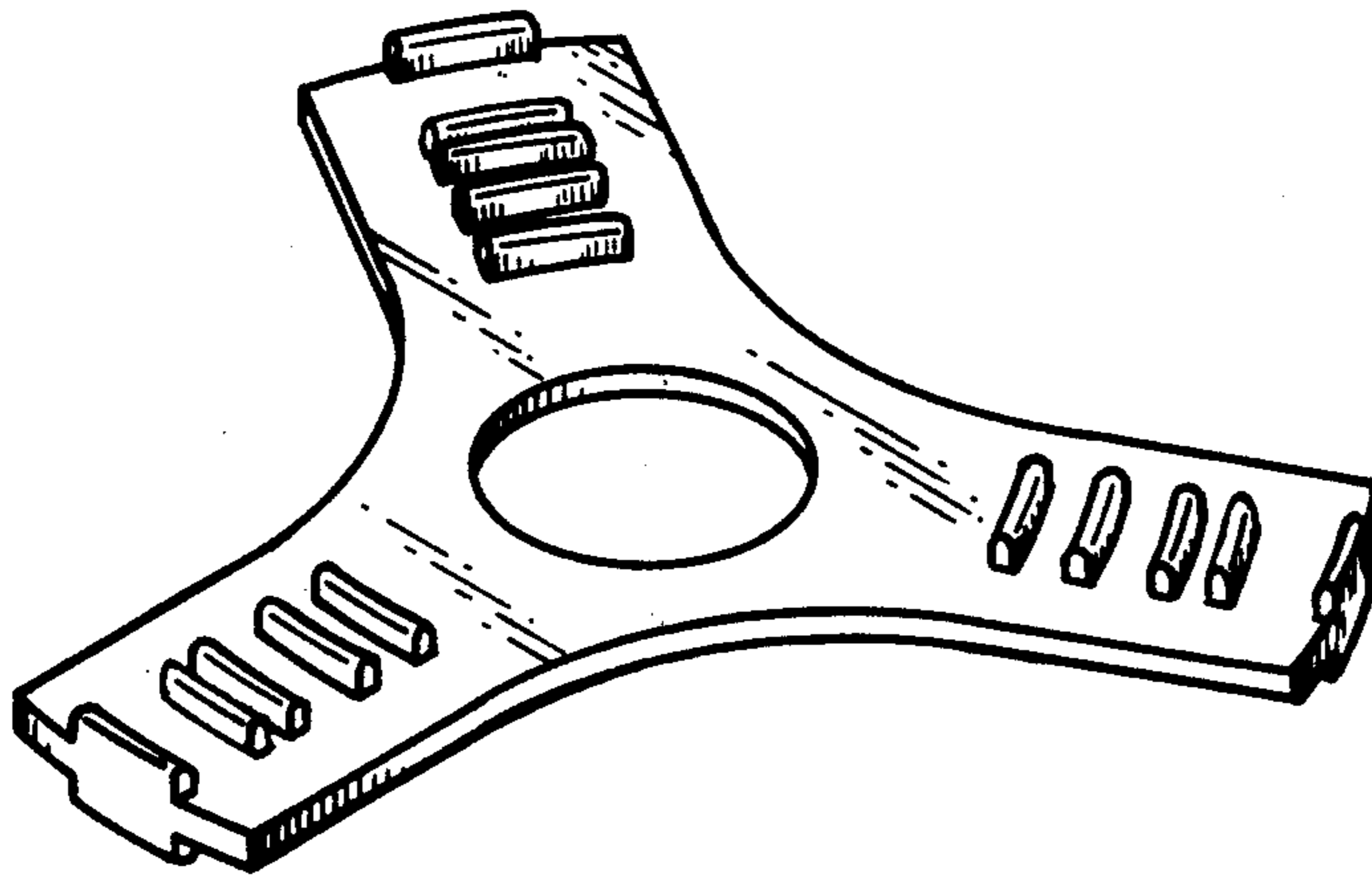
Primary Examiner—Robert G. Spangler
Attorney, Agent, or Firm—Richard A. Brown

[57] CLAIM

The ornamental design for a can stacker, as shown.

DESCRIPTION

FIG. 1 is a top perspective view of a can stacker embodying my new design,
FIG. 2 is a side elevation,
FIG. 3 is a side elevational view with the can stacker slightly rotated in a counterclockwise direction,
FIG. 4 is a top plan view as oriented in FIG. 2, and
FIG. 5 is a bottom plan view as oriented in FIG. 3.



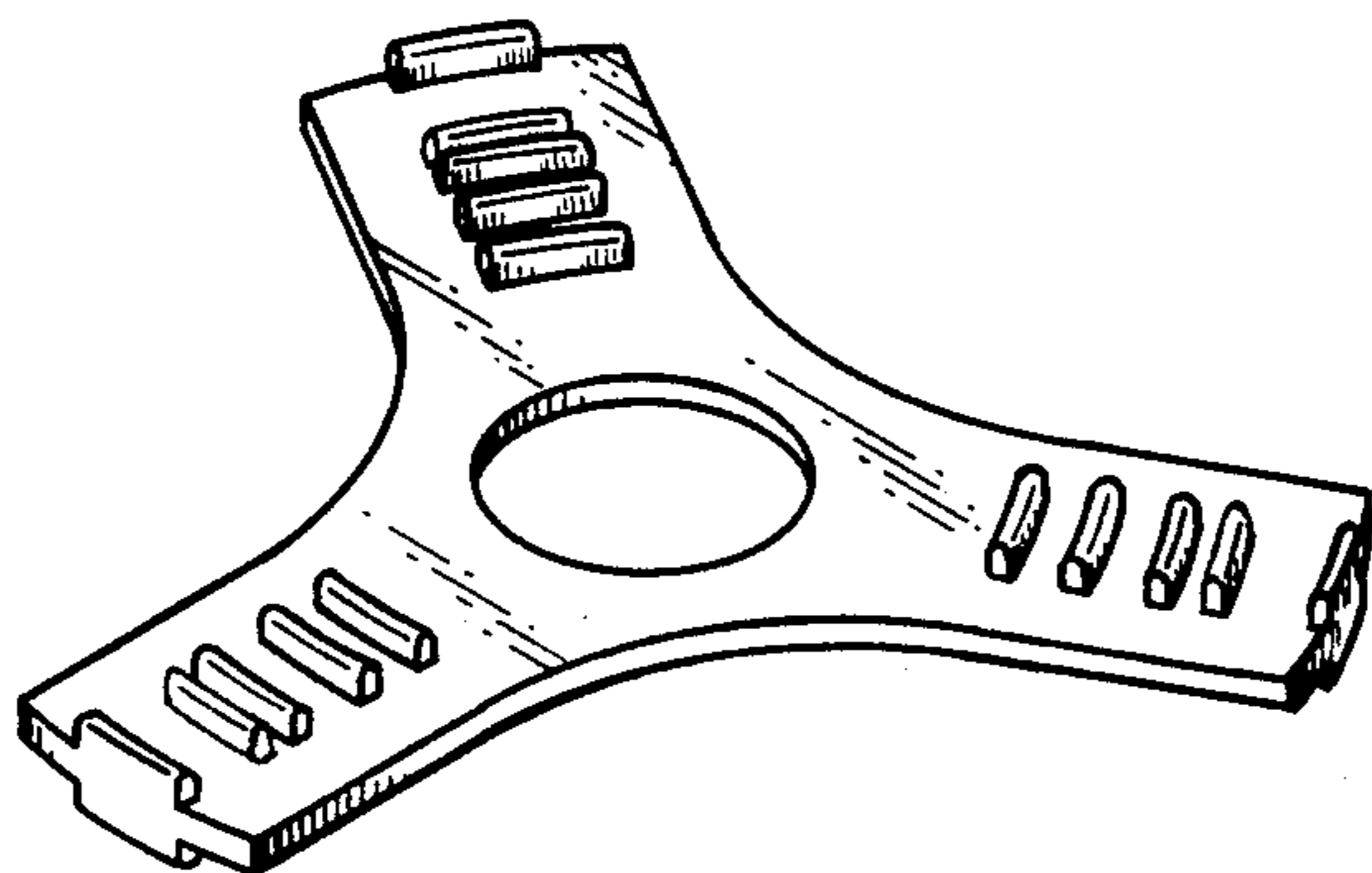


Fig. 1



Fig. 2



Fig. 3

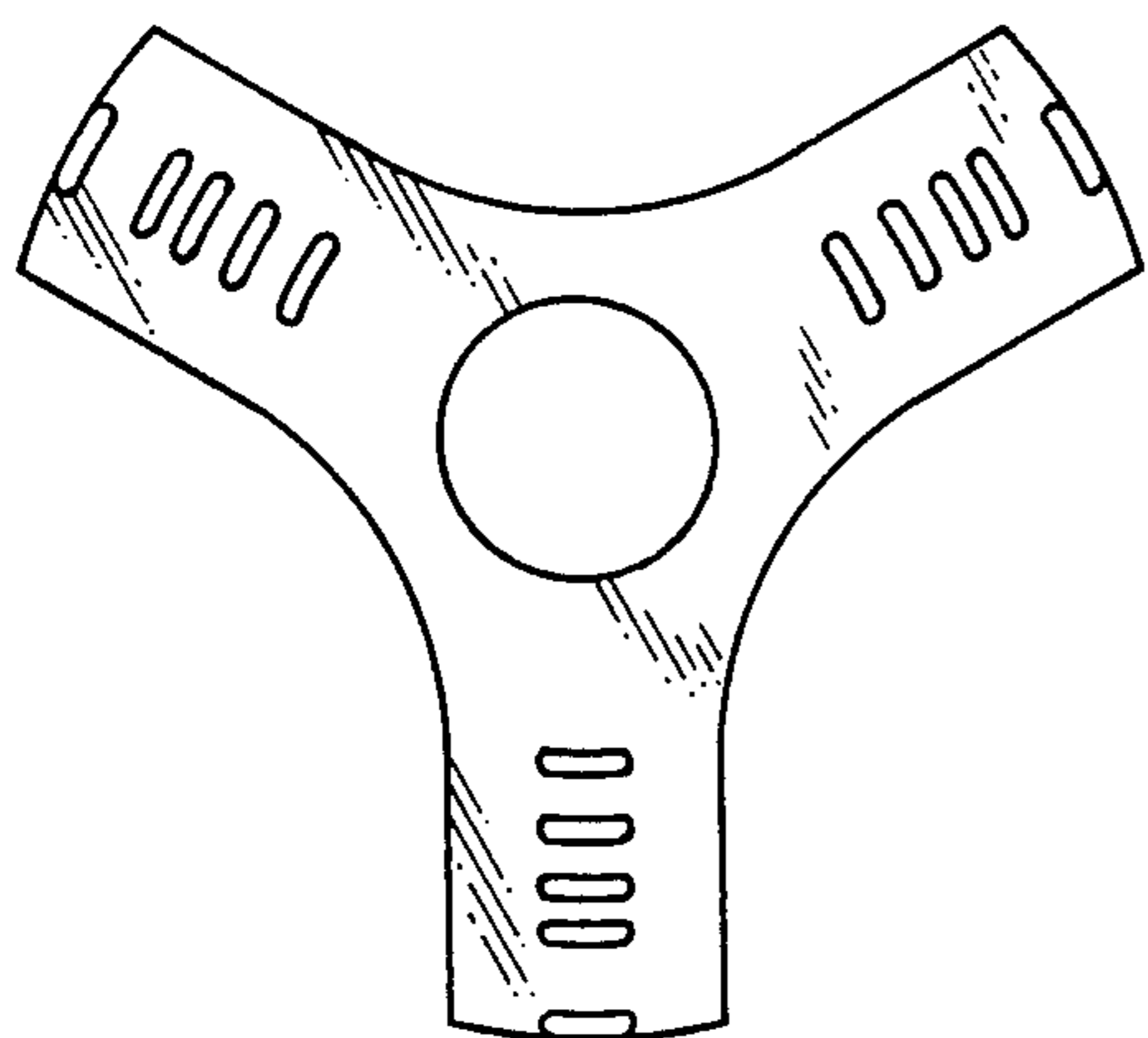


Fig. 4

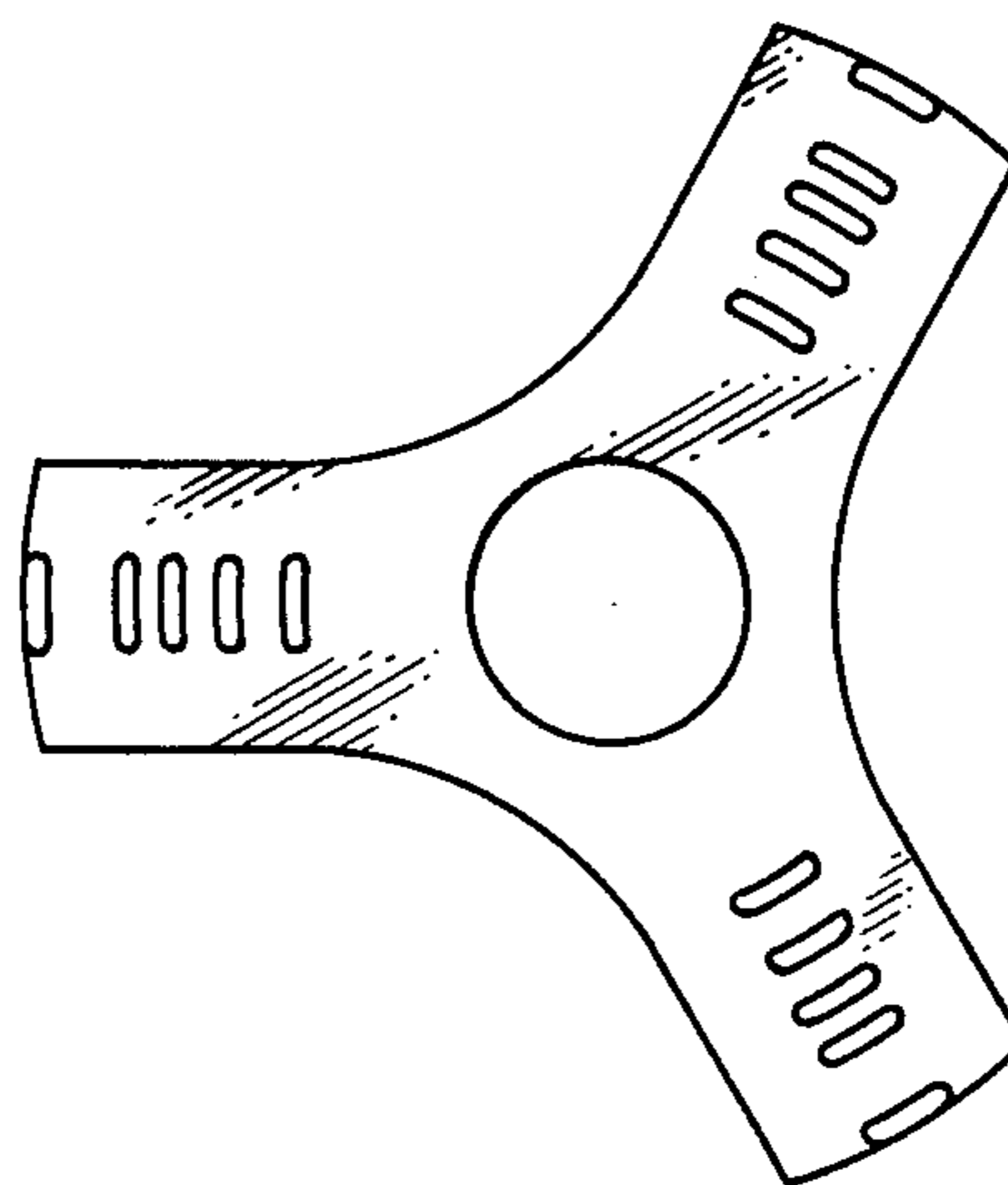


Fig. 5