

[54] MULTI-COMPARTMENTED CONTAINER FOR LIQUIDS

[75] Inventors: Kenneth O. Houseman, St. Charles; Wolfgang O. Junkel, Mount Prospect, both of Ill.

[73] Assignee: Litton Industrial Products, Inc., Beverly Hills, Calif.

[**] Term: 14 Years

[21] Appl. No.: 903,389

[22] Filed: May 5, 1978

[51] Int. Cl. D9-01

[52] U.S. Cl. D9/376

[58] Field of Search D9/38-53, D9/18, 175; 220/1, 86 R

[56] References Cited

U.S. PATENT DOCUMENTS

D. 212,212	9/1968	Tompkins	D9/175
D. 213,354	2/1969	Black	D9/18
D. 249,701	9/1978	Maples et al.	D9/175 X
2,180,185	11/1939	Weiss	D9/175 X

Primary Examiner—Robert C. Spangler
Attorney, Agent, or Firm—Robert A. Seldon

[57] CLAIM

The ornamental design for a multi-compartmented container for liquids, as shown.

DESCRIPTION

FIG. 1 is an isometric view of a multi-compartmented container for liquids,
FIG. 2 is a side elevation view,
FIG. 3 is a top plan view,
FIG. 4 is a bottom plan view,
FIG. 5 is a front elevation view, and
FIG. 6 is a rear elevation view thereof.

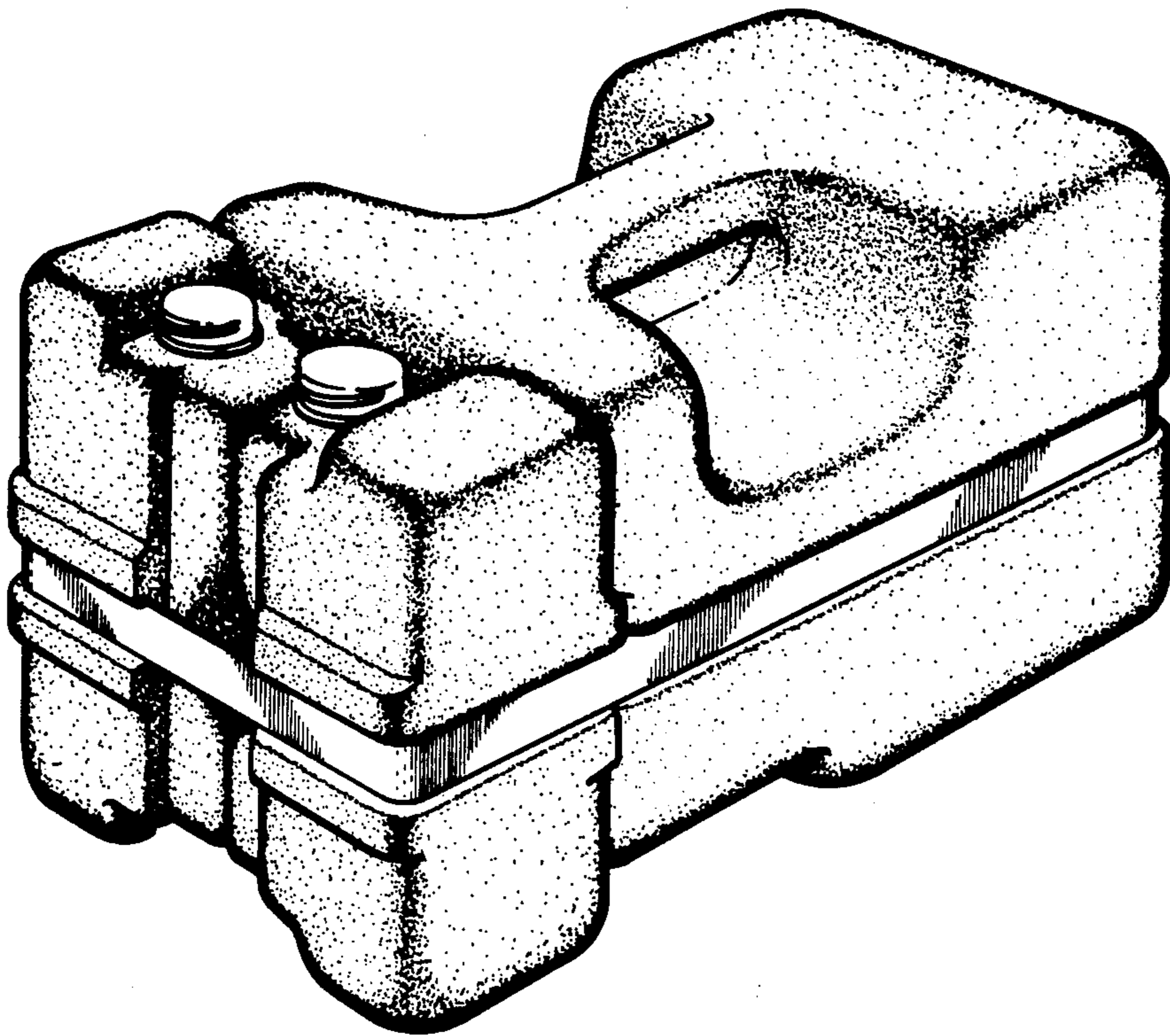


FIG. 1

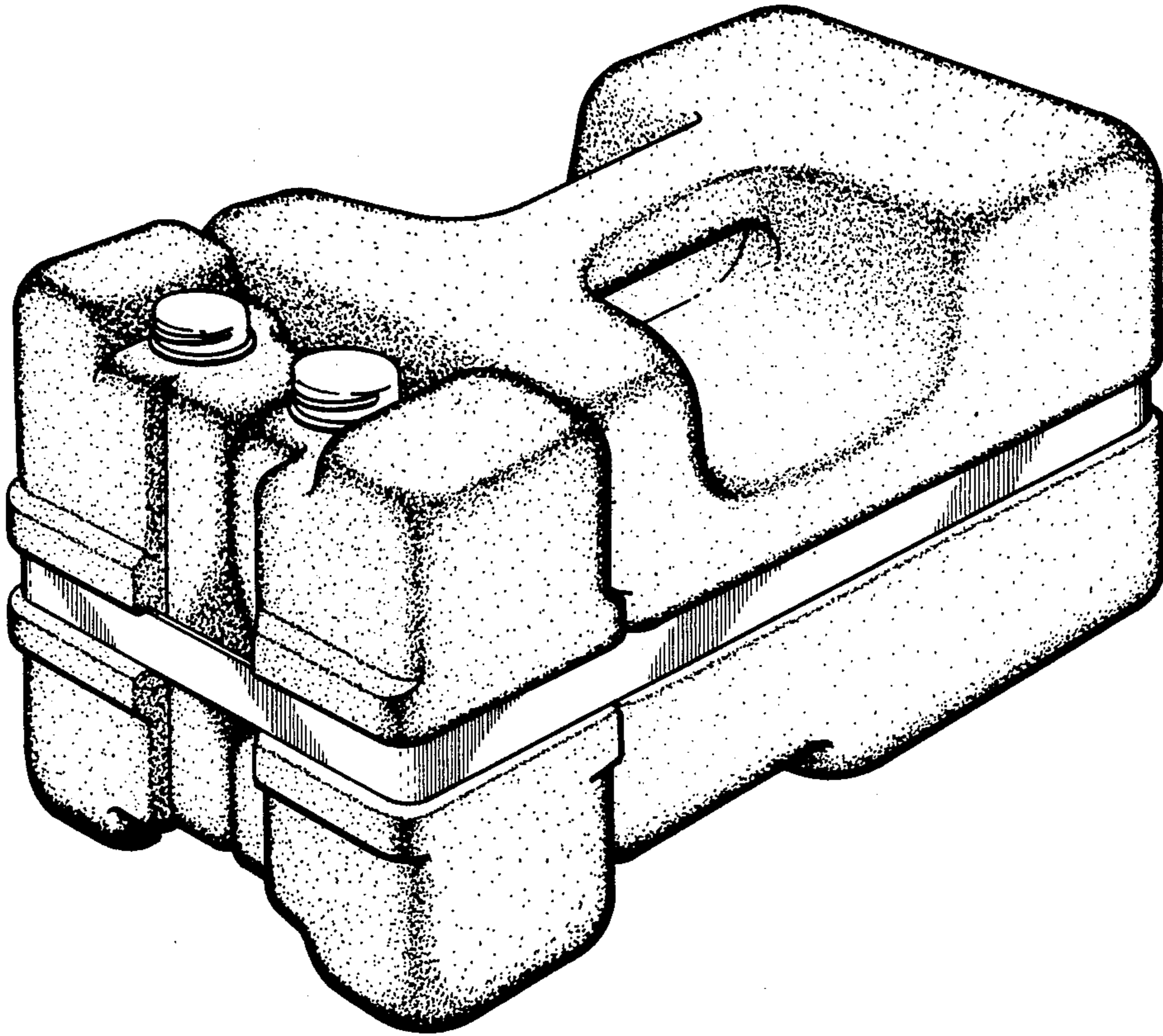


FIG. 2

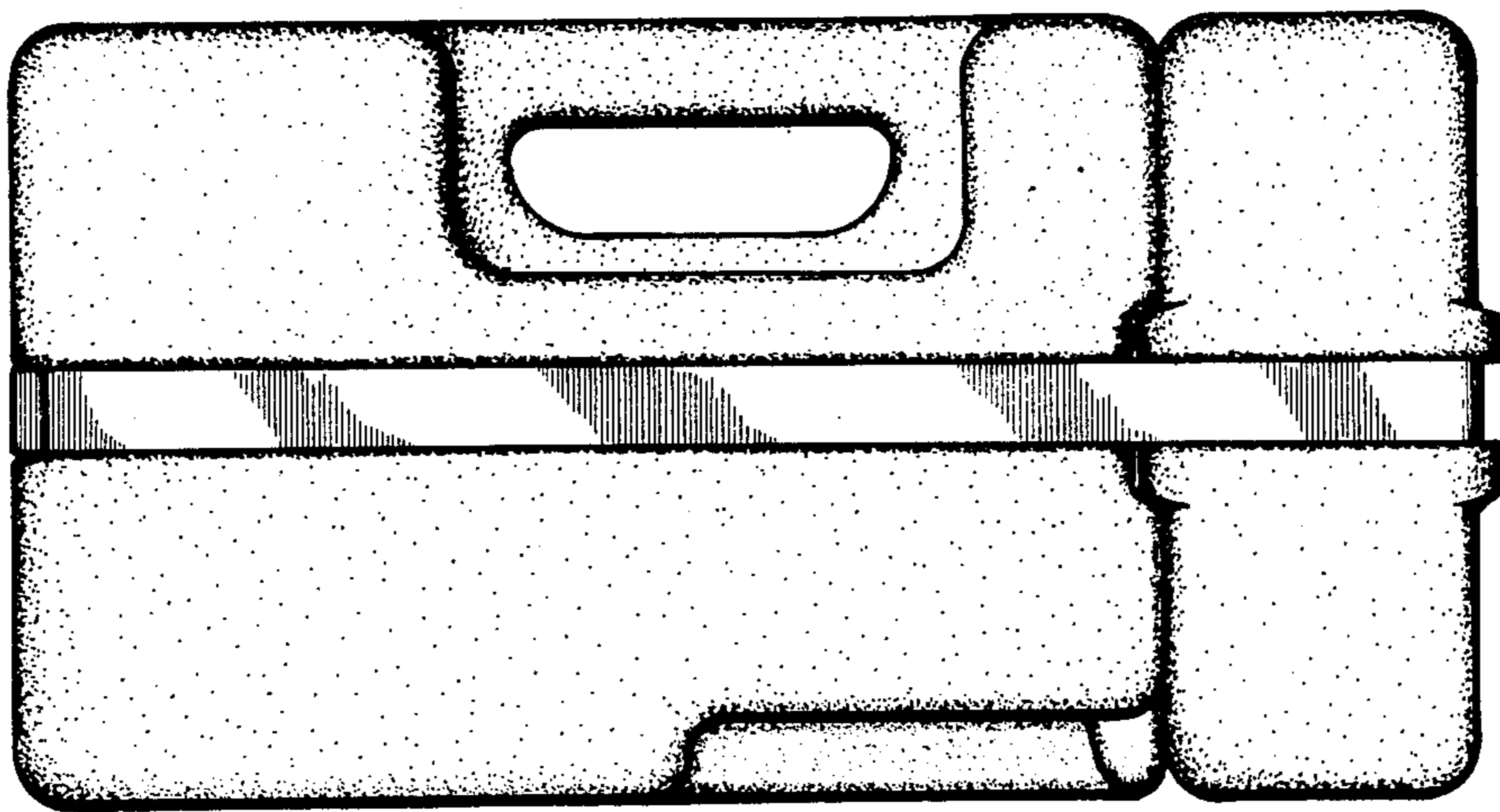


FIG. 3

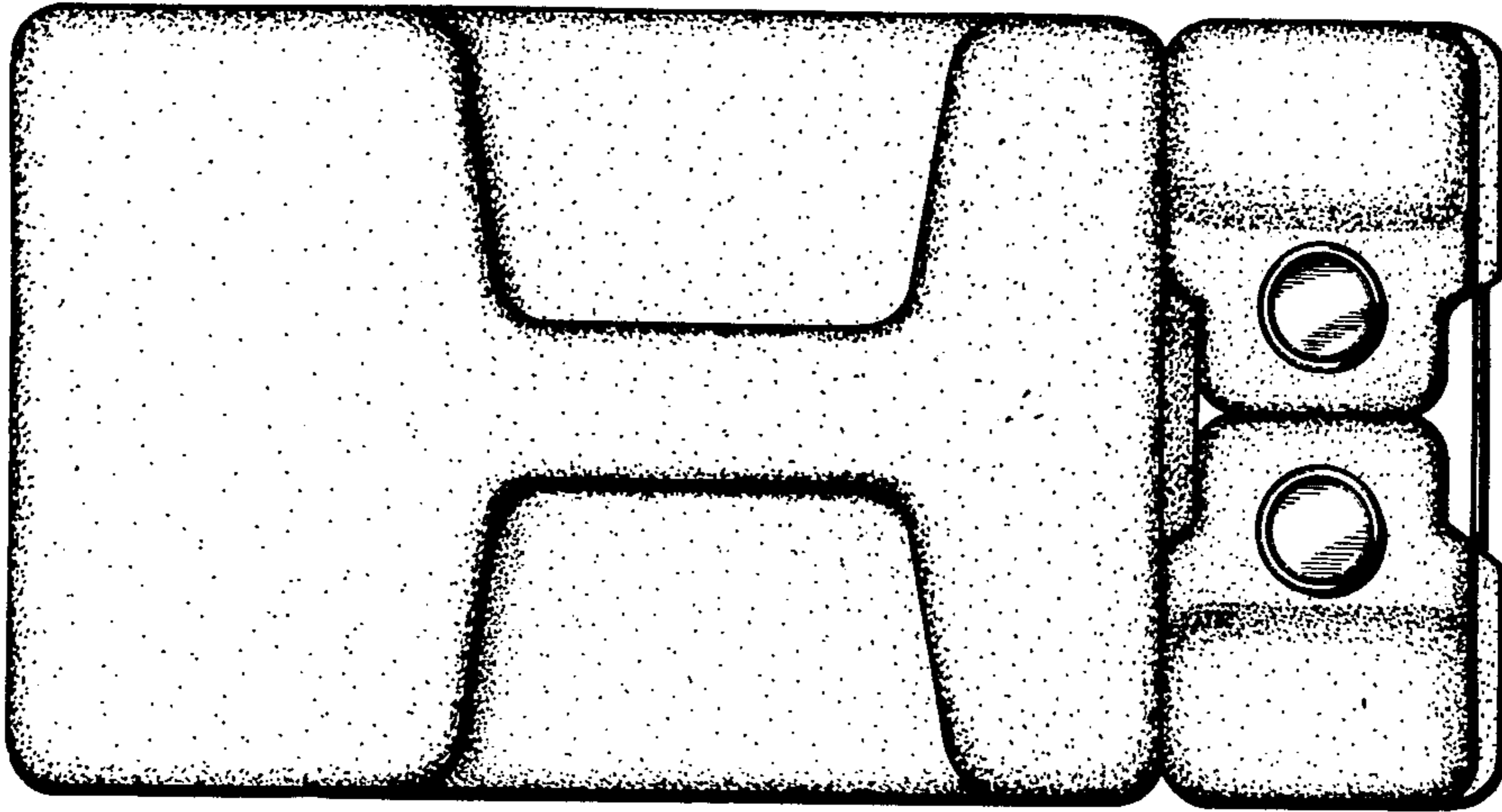


FIG. 4

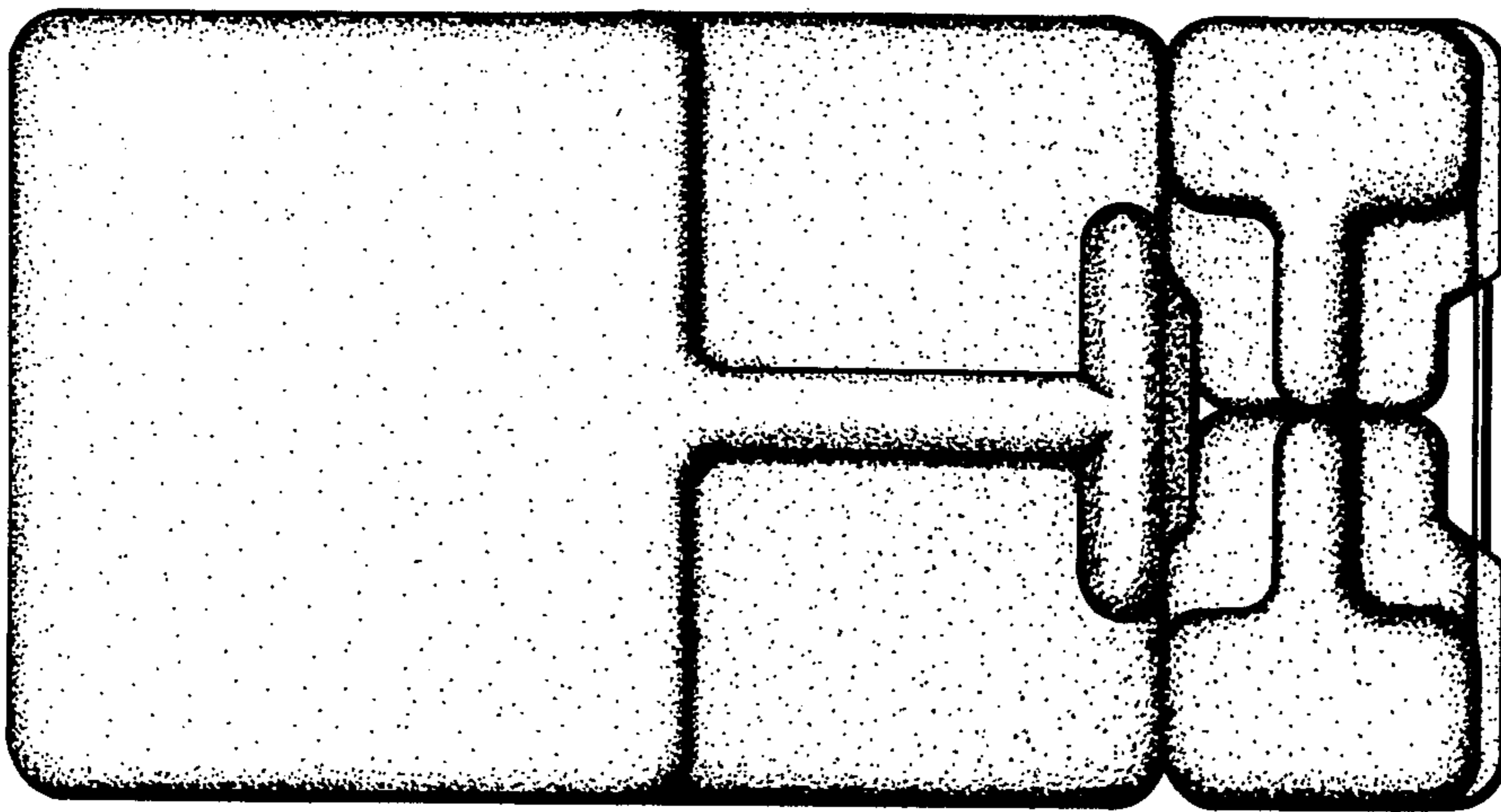


FIG. 5

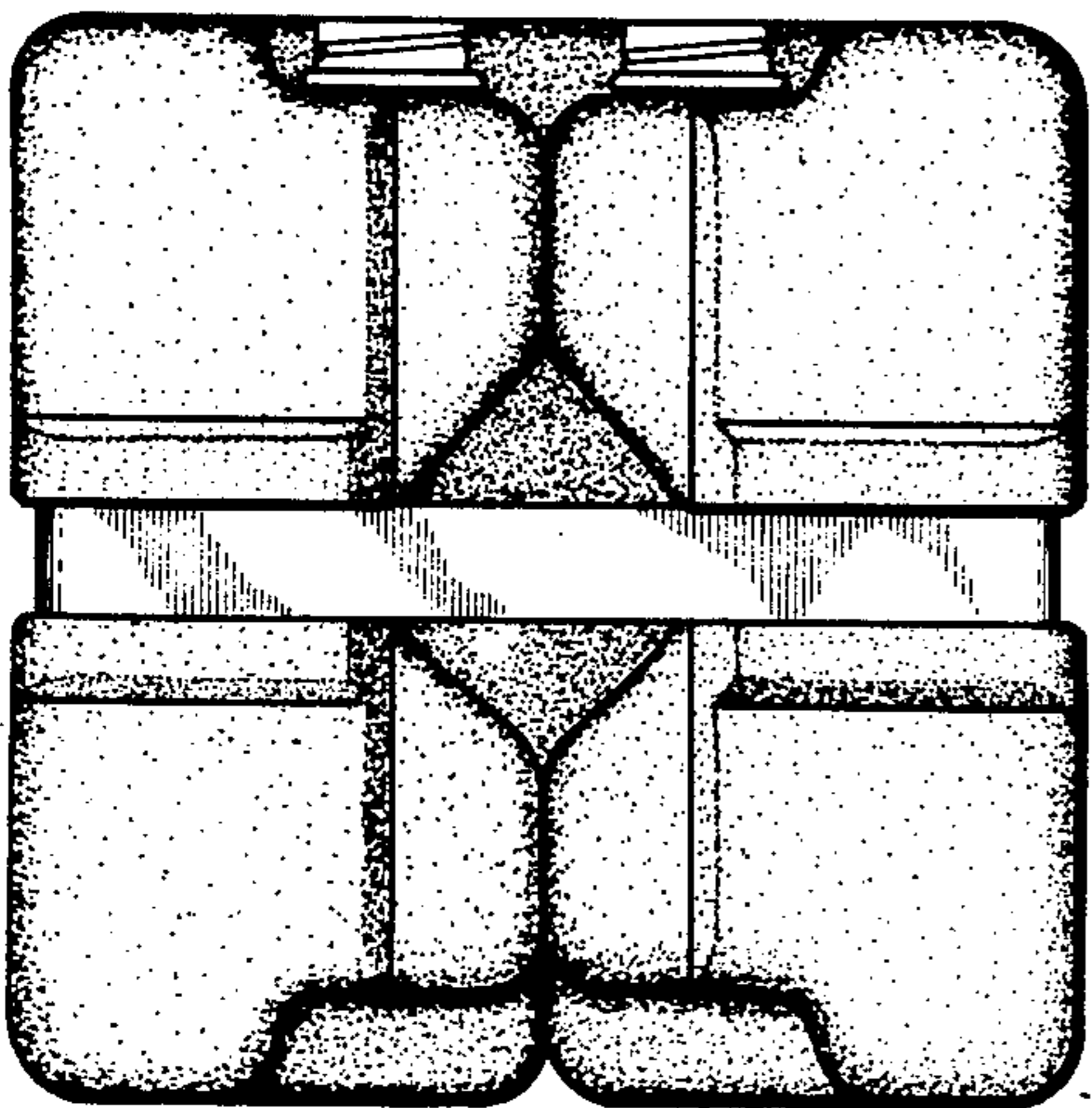


FIG. 6

