

[54] UTILITY CLIP

[76] Inventor: Frank L. McAllister, 3829 N. 16th St., Philadelphia, Pa. 19140

[**] Term: 14 Years

[21] Appl. No.: 935,570

[22] Filed: Aug. 21, 1978

[51] Int. Cl. D7-05; D8-08

[52] U.S. Cl. D8/395; D7/198; D8/382; D8/396

[58] Field of Search D8/355, 356, 382, 383, D8/394-396; D6/257; D7/198; 24/137 R, 137 A, 253, 263 SB, 81 R

[56] References Cited

U.S. PATENT DOCUMENTS

1,531,680 3/1925 Stenersen 24/253
1,699,037 1/1929 Whitmore 24/253

2,514,951 7/1950 Herndon 24/137 A
4,020,530 5/1977 Sartore D8/395
4,079,765 3/1978 Hatayan 24/137 R

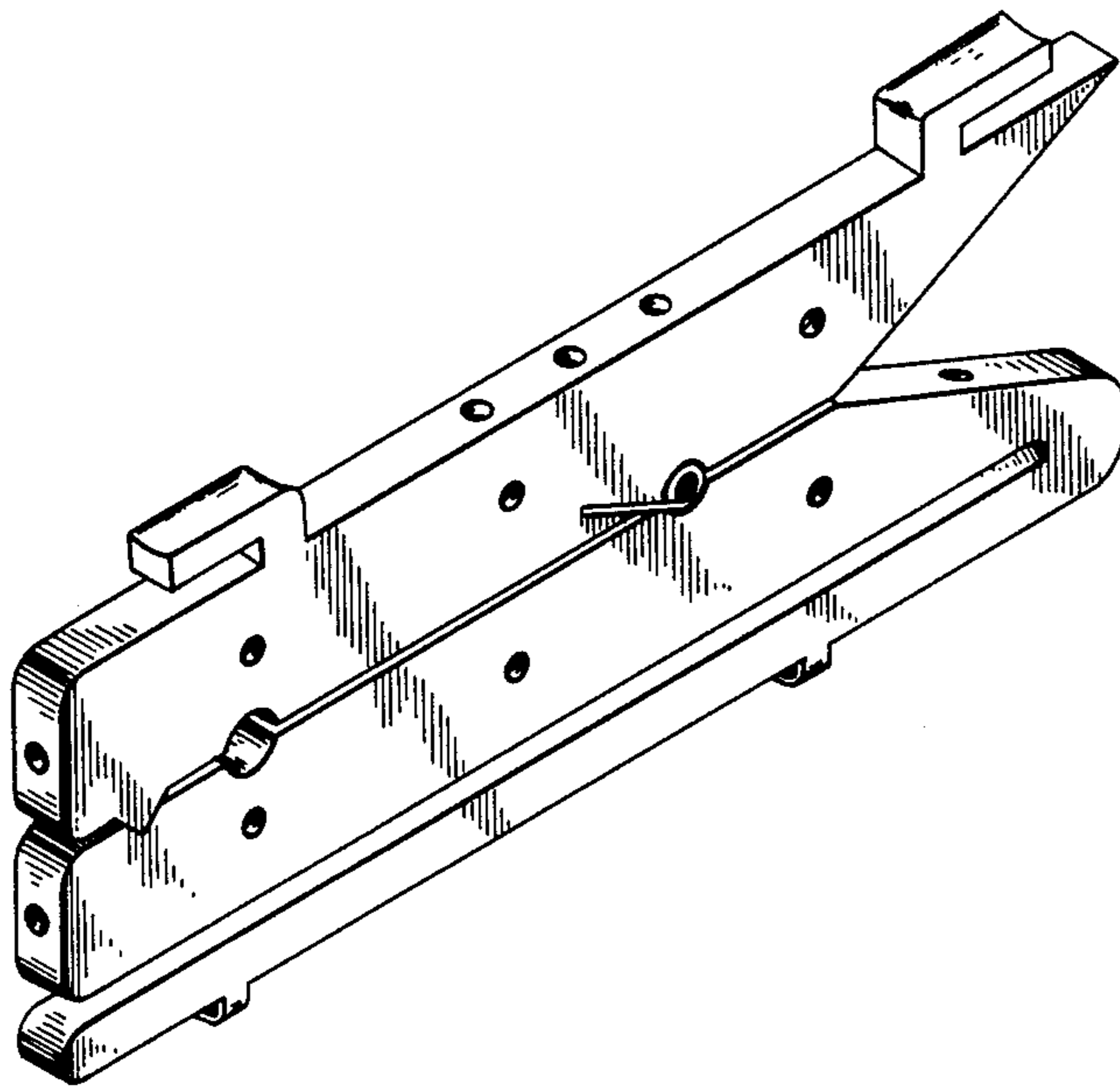
Primary Examiner—B. J. Bullock
Attorney, Agent, or Firm—Paul & Paul

[57] CLAIM

The ornamental design for a utility clip, substantially as shown and described.

DESCRIPTION

FIG. 1 is a front perspective view of a utility clip embodying my new design, the rear being a mirror image thereof except for the orientation of the spring and the location of the clips on the bottom as seen in FIG. 5; FIG. 2 is a top plan view thereof; FIG. 3 is an end elevational view taken from the left of FIG. 2; FIG. 4 is an end elevational view taken from the right of FIG. 2; FIG. 5 is a bottom plan view thereof.



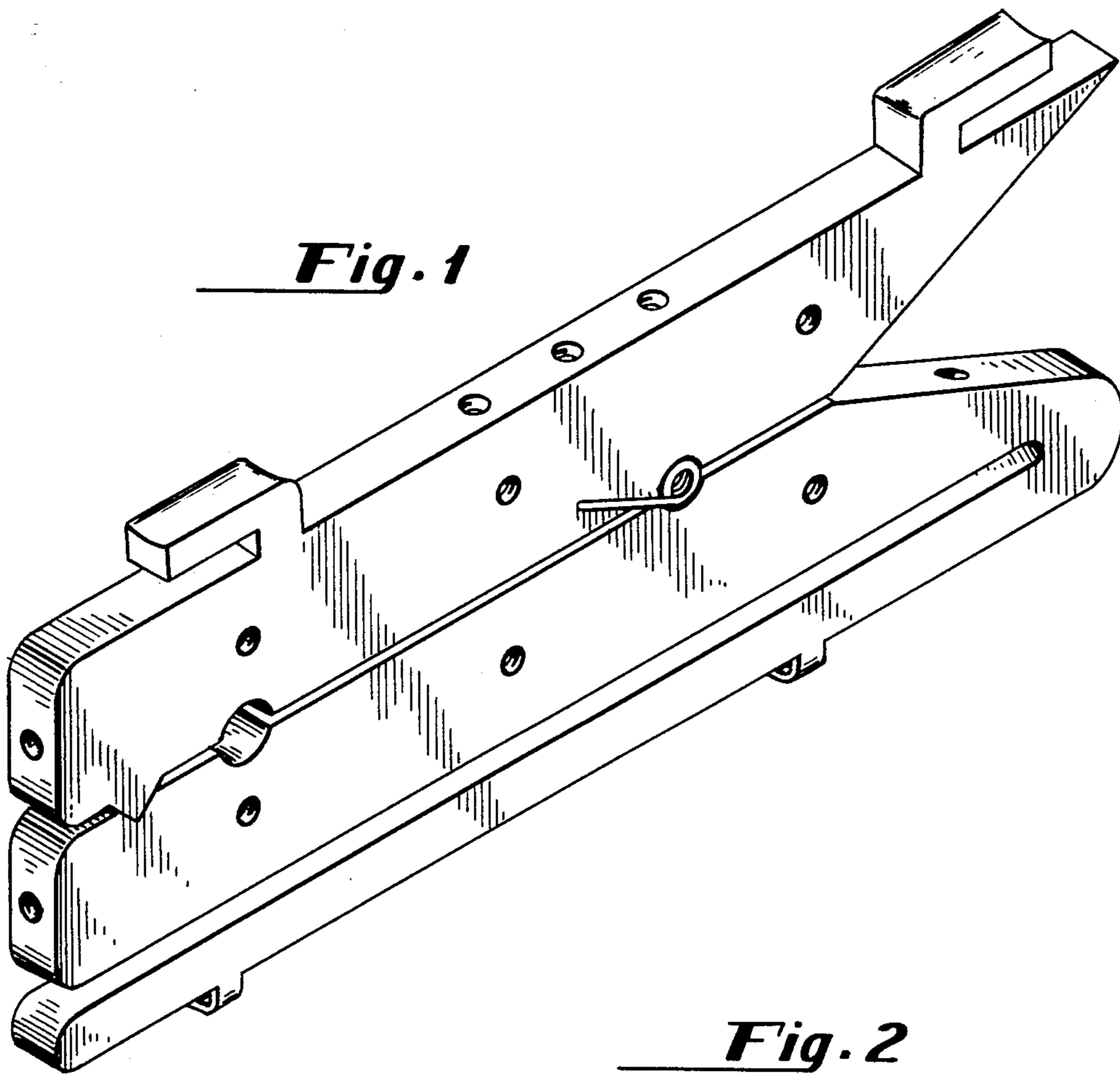


Fig. 3



Fig. 4



Fig. 5