

[54] BRACKET FOR CONDUITS

[76] Inventor: Richard B. Muller, 5415 Providence Rd., Charlotte, N.C. 28211

[**] Term: 14 Years

[21] Appl. No.: 28,209

[22] Filed: Apr. 9, 1979

[51] Int. Cl. D8-08

[52] U.S. Cl. D8/356; D8/363

[58] Field of Search D8/363, 364, 380, 396, D8/356; D13/13, 17, 24; 248/68 R, 68 CB, 49, 56

[56] References Cited

U.S. PATENT DOCUMENTS

D. 237,046 10/1975 Sloan D8/363

D. 242,765 12/1976 Patrick D8/356
3,128,331 4/1964 Groom 248/68 CB X
3,531,071 9/1970 Kubli 248/68 CB
4,114,846 9/1978 Petersen 248/68 CB

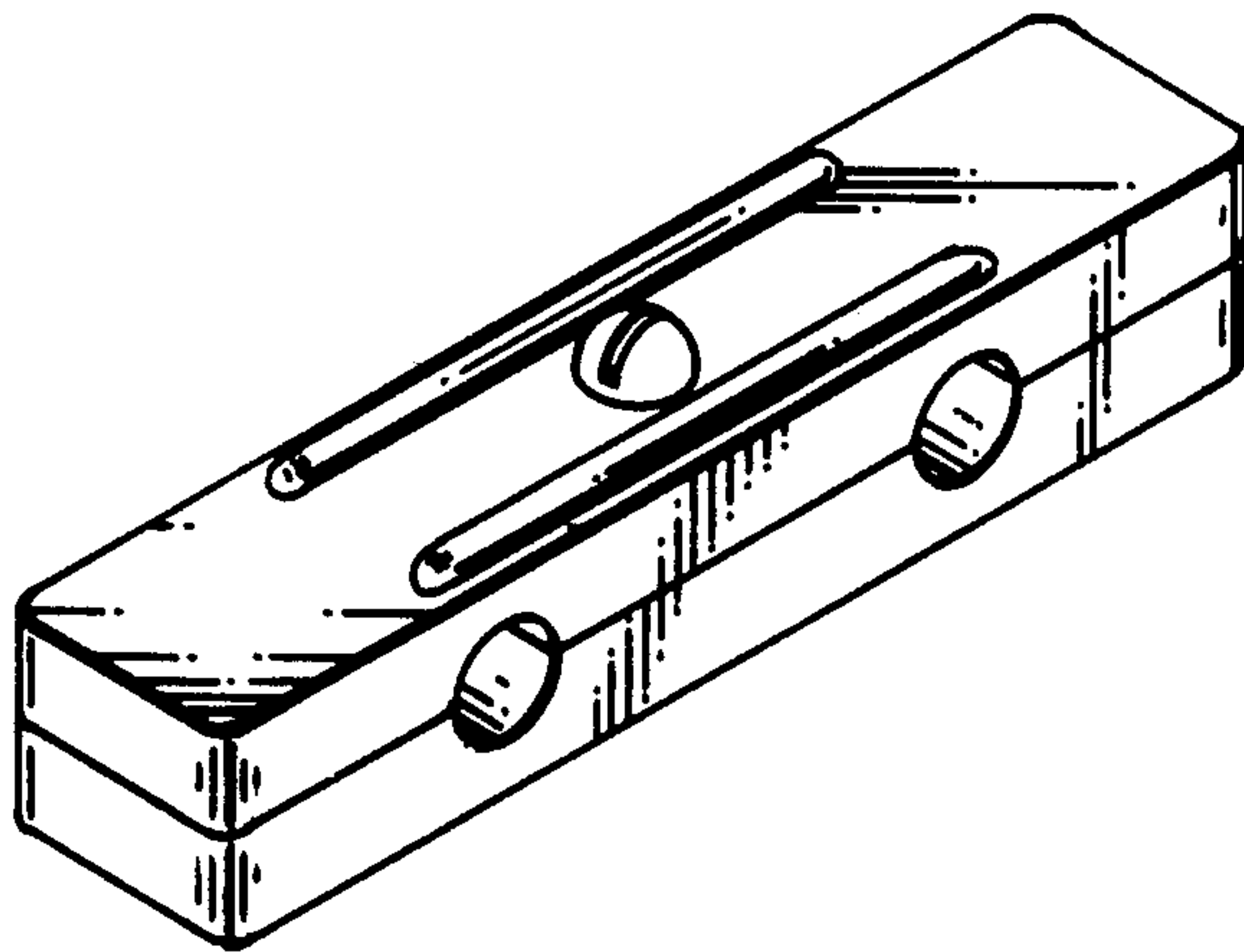
Primary Examiner—A. Hugo Word
Attorney, Agent, or Firm—Bell, Seltzer, Park & Gibson

[57] CLAIM

The ornamental design for a bracket for conduits, substantially as shown and described.

DESCRIPTION

FIG. 1 is a perspective view of one side of the bracket for conduits showing my new design;
FIG. 2 is a perspective view showing the opposite side thereof, with the broken lines showing the environmental use of my design;
FIG. 3 is a side elevation view thereof; and
FIG. 4 is an end elevation view thereof.



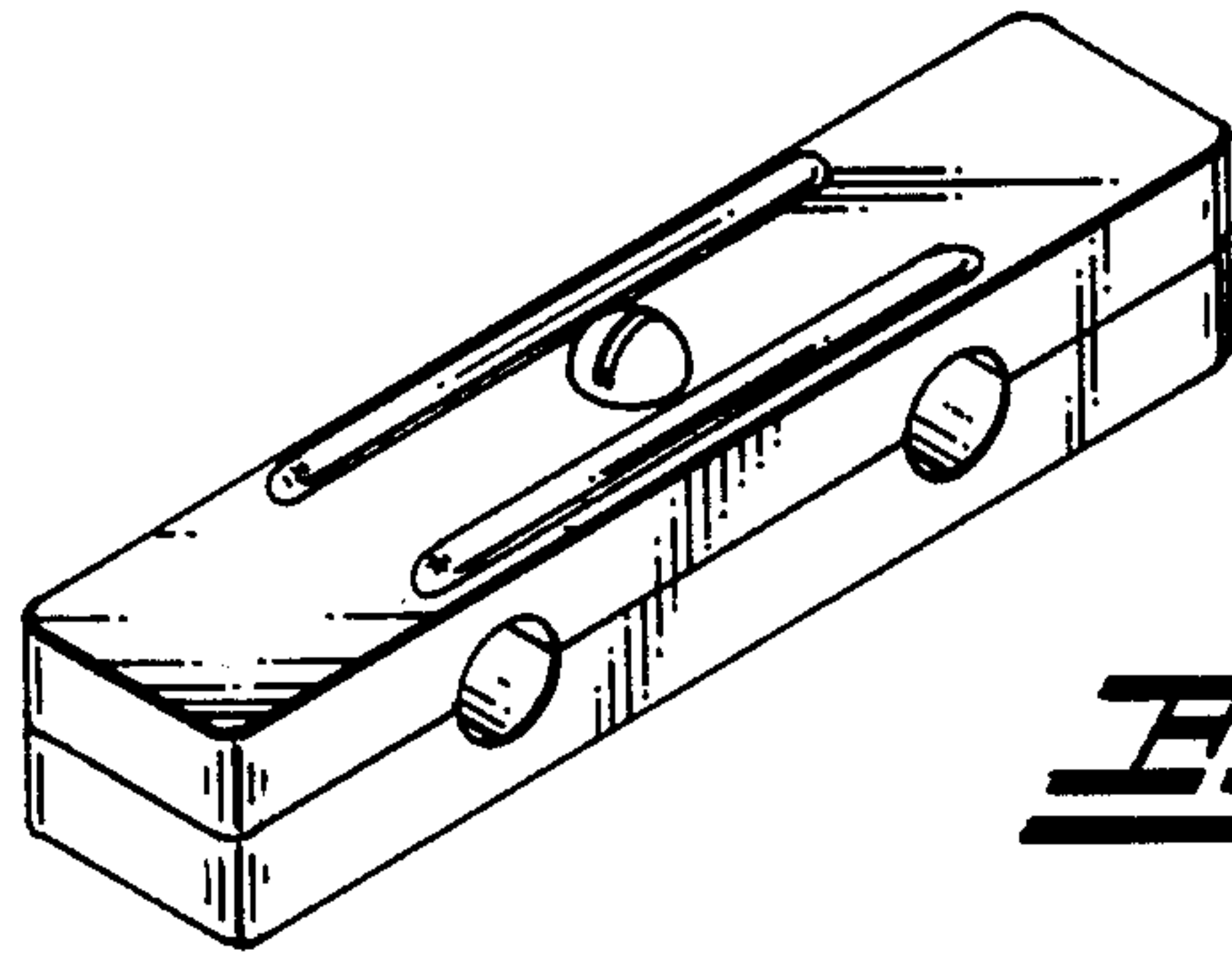


FIG-1

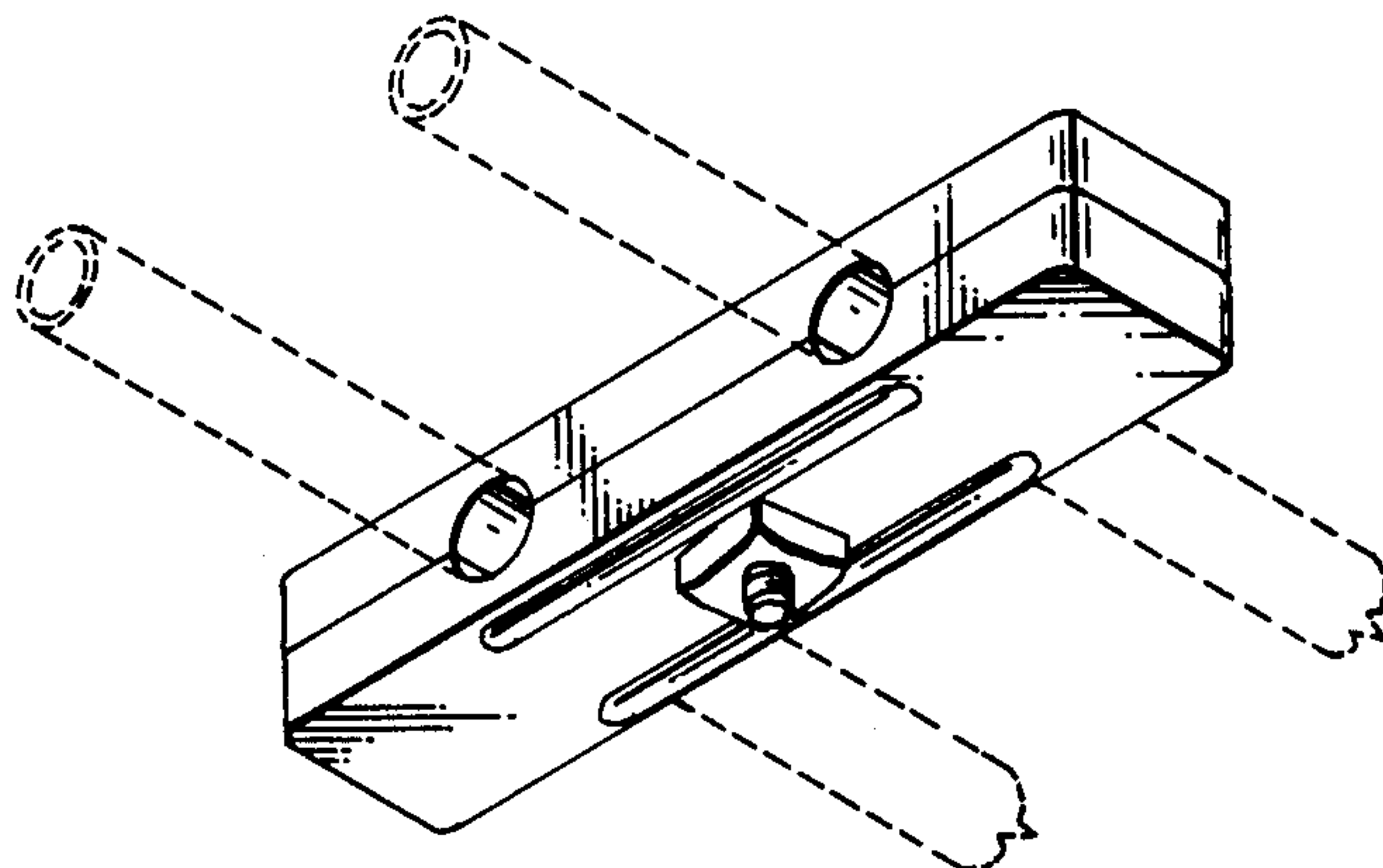


FIG-2

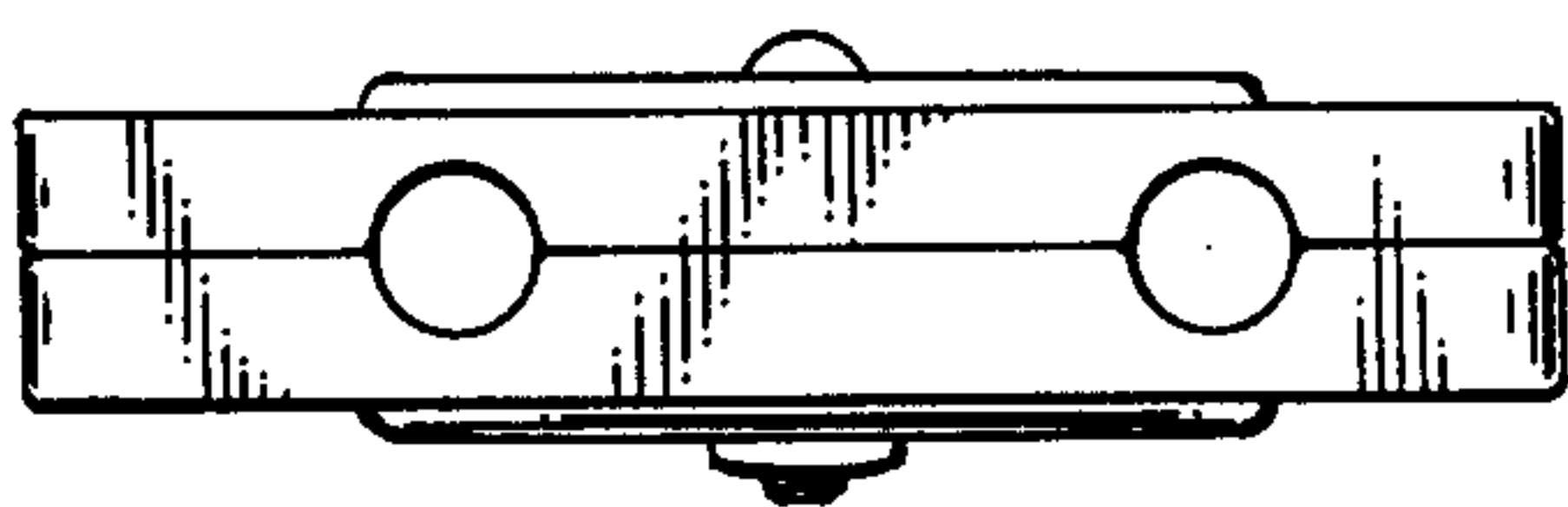


FIG-3

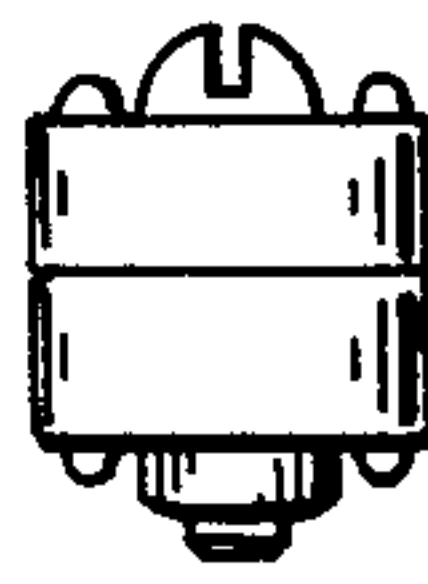


FIG-4