

[54] WATERBED BAFFLE

[76] Inventor: Emil D. Kowal, 1929 Doublegrove St., West Covina, Calif. 91790

[**] Term: 14 Years

[21] Appl. No.: 50,740

[22] Filed: Jun. 21, 1979

[51] Int. Cl. D6-09

[52] U.S. Cl. D6/201

[58] Field of Search D6/84, 198, 201; D21/204; 5/451, 452, 45, 458; D59/2 R; D11/142

[56] References Cited

U.S. PATENT DOCUMENTS

4,141,770	2/1979	Mollura	5/451 X
4,172,301	10/1979	Everard et al.	5/456
4,204,289	5/1980	Fogel	5/451

OTHER PUBLICATIONS

Handbook of Designs & Motifs, Thomajan, ©'50, p. "47," Left-most column 2nd from top design.

American National "Olympic" Mattress Ad In *2-80 Retailing Today*, pp. 19e, 20, Waterbed Literature Collection.

Primary Examiner—Jane E. Corrigan

Attorney, Agent, or Firm—Donald Diamond

[57] CLAIM

The ornamental design for a waterbed baffle, substantially as shown and described.

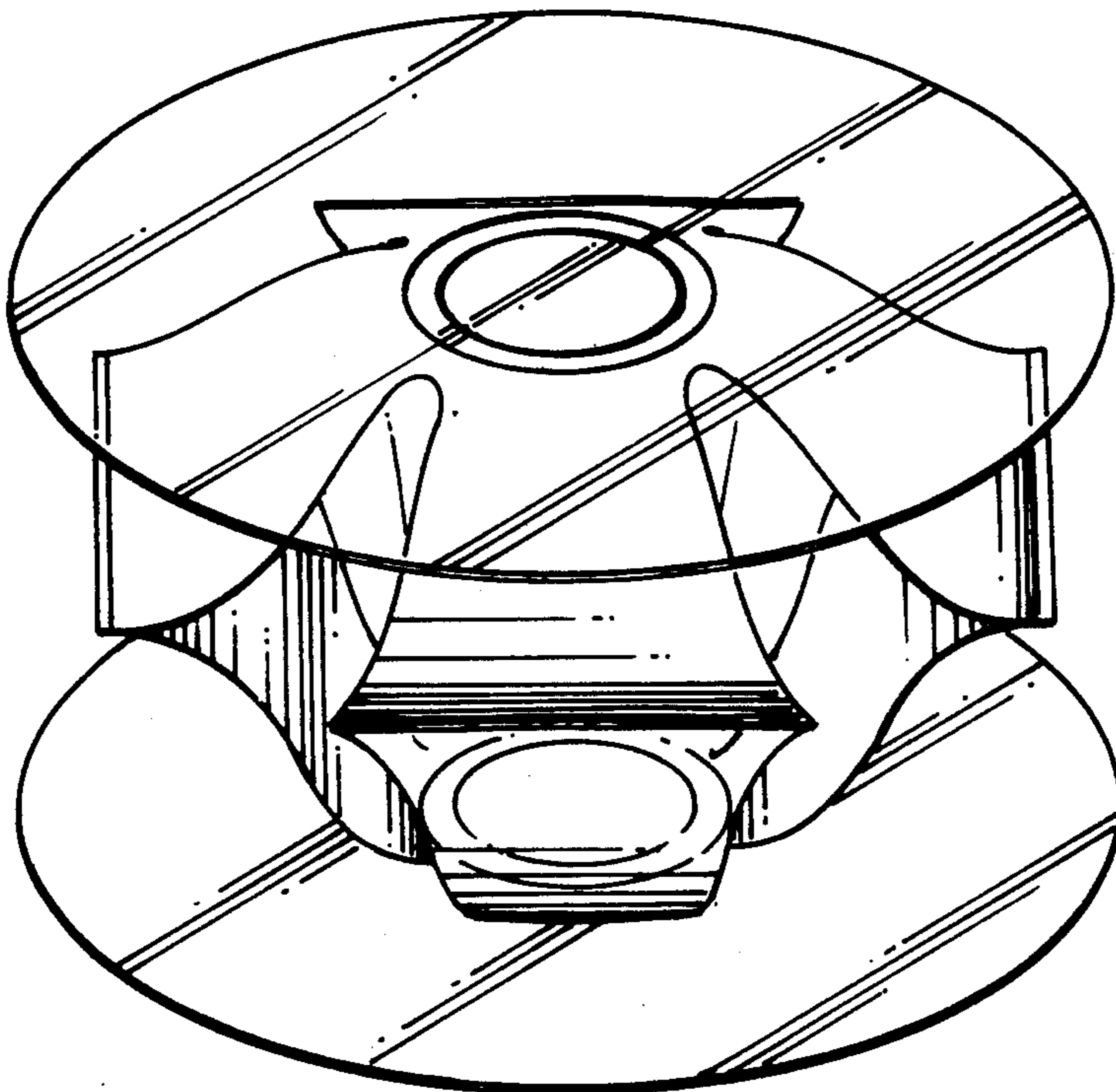
DESCRIPTION

FIG. 1 is a perspective view of a waterbed baffle showing my new design;

FIG. 2 is an elevational view; and

FIG. 3 is a plan view.

The baffle design is symmetrical throughout.



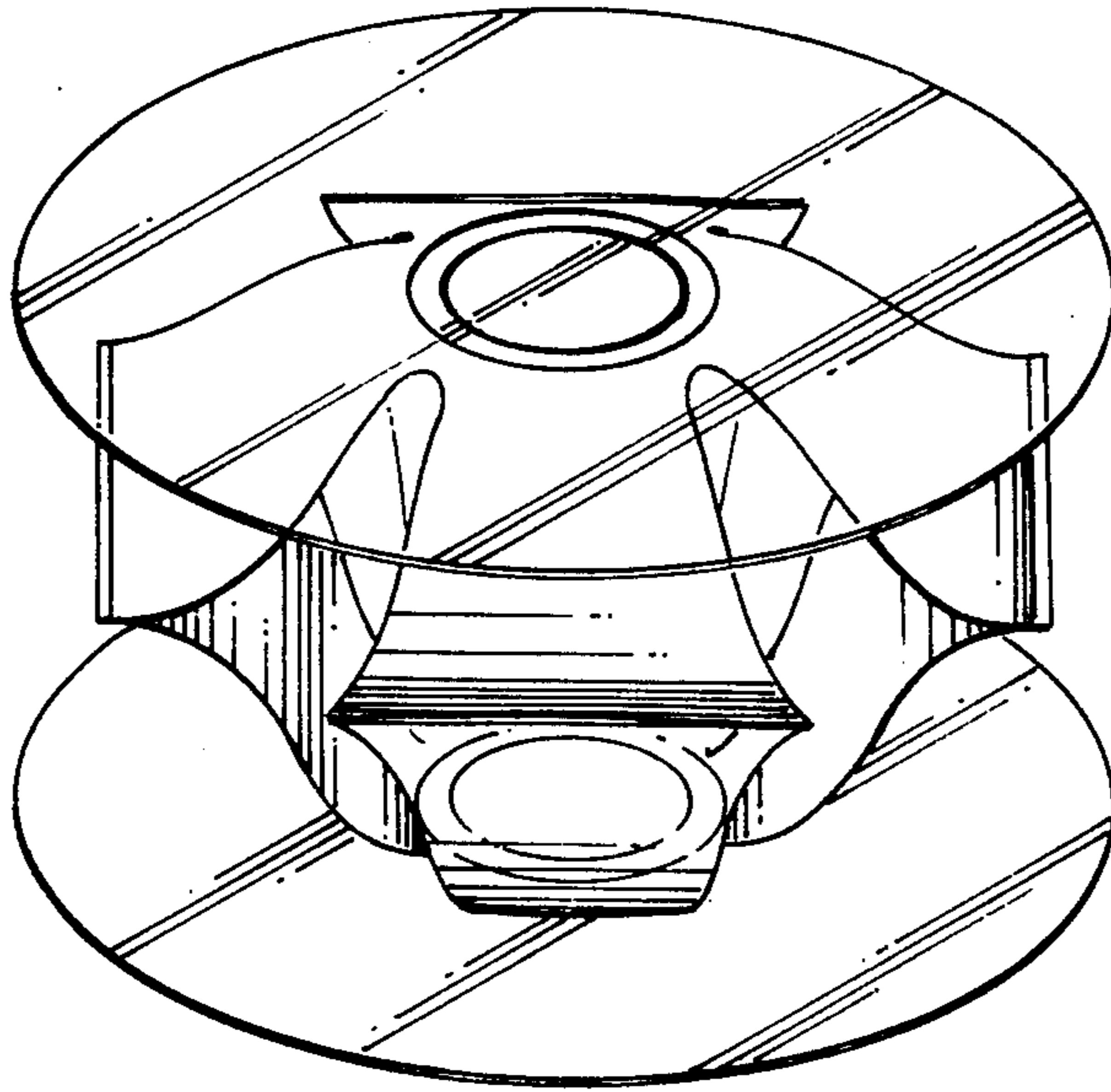


Fig. 1

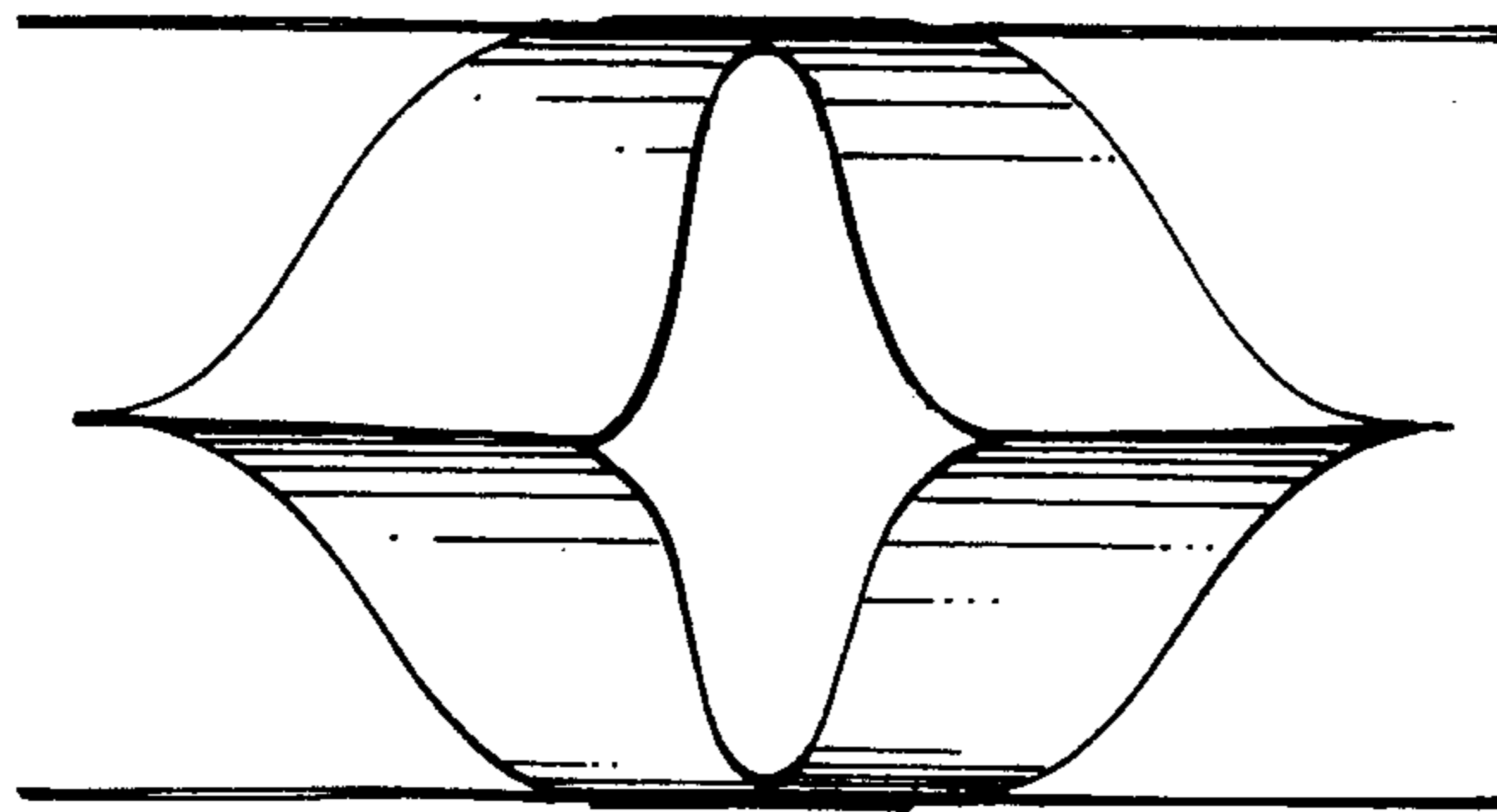


Fig. 2

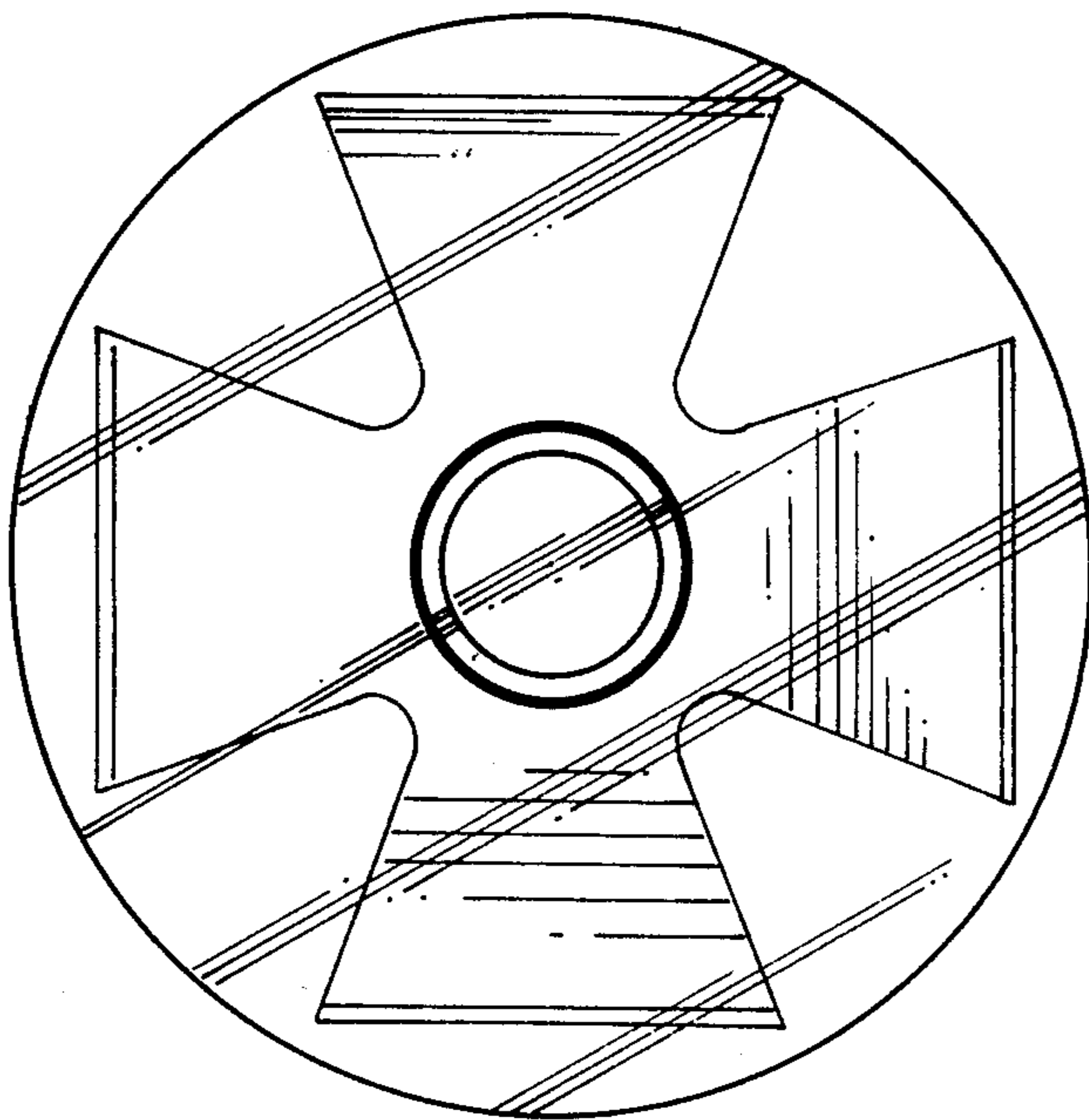


Fig. 3