

[54] FURNITURE TRAY OR SIMILAR ARTICLE

3,203,558 8/1965 Ullman ..... 211/126  
3,900,157 8/1975 Roth ..... 211/126 X

[75] Inventor: Finley M. Bukaitz, Clifton, N.J.

Primary Examiner—Bruce W. Dunkins  
Attorney, Agent, or Firm—Arthur L. Plevy

[73] Assignee: Kero Metal Products Co., Inc.,  
Carlstadt, N.J.

[\*\*] Term: 14 Years

[57] CLAIM

[21] Appl. No.: 945,579

The ornamental design for a furniture tray or similar article, substantially as shown and described.

[22] Filed: Sep. 25, 1978

DESCRIPTION

[51] Int. Cl. .... D6-06

FIG. 1 is a perspective view of a furniture tray or similar article showing my design;

[52] U.S. Cl. .... D6/191; D6/199

FIG. 2 is an enlarged fragmentary view showing the nature of the sidewalls in greater detail;

[58] Field of Search ..... D6/191, 158-166;  
211/126, 128; 312/335, 336, 338

FIG. 3 is a top view;

[56] References Cited

FIG. 4 is a front view;

U.S. PATENT DOCUMENTS

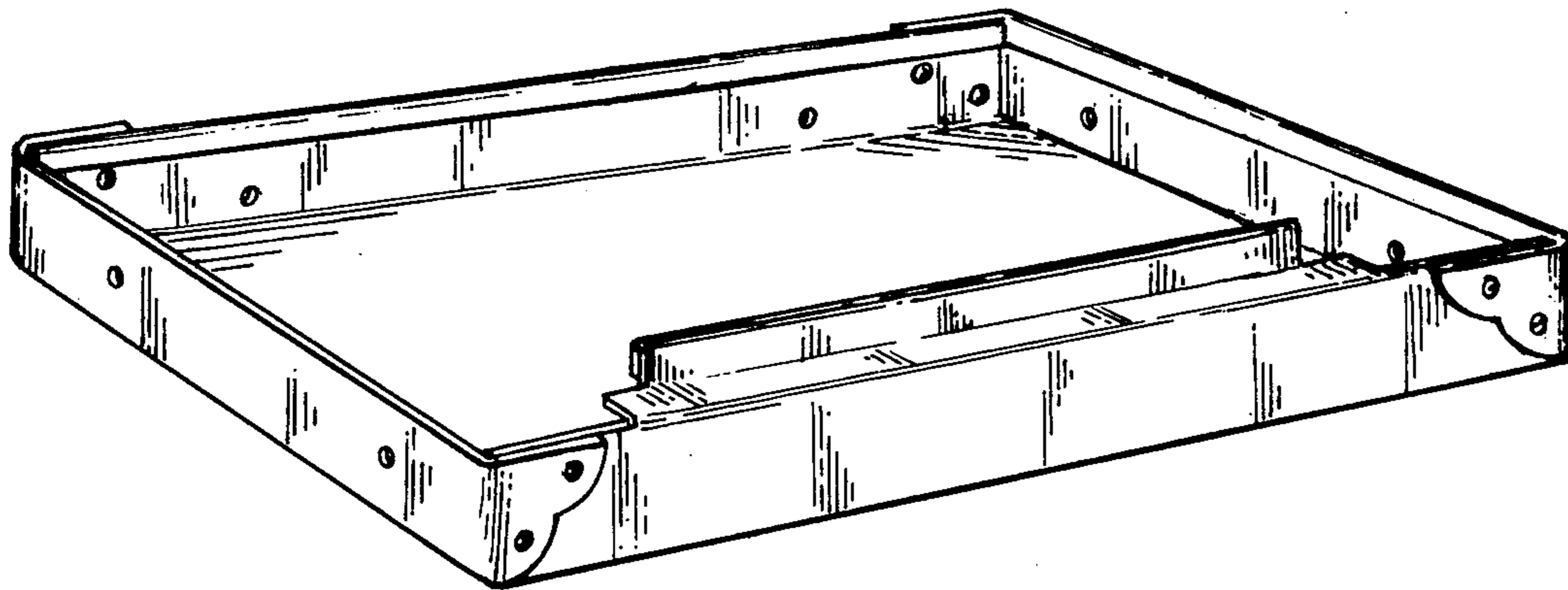
FIG. 5 is a rear view;

FIG. 6 is a right side view taken from FIG. 4;

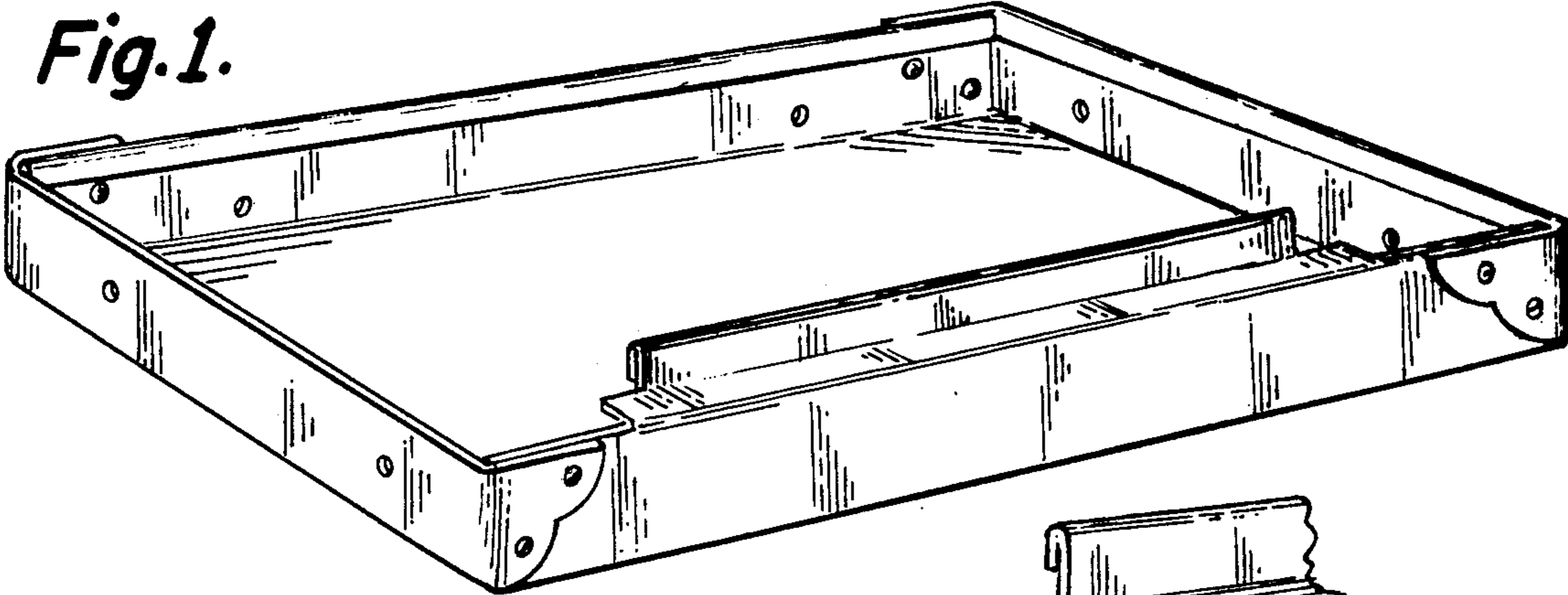
FIG. 7 is a left side view of FIG. 4; and

FIG. 8 is a bottom view.

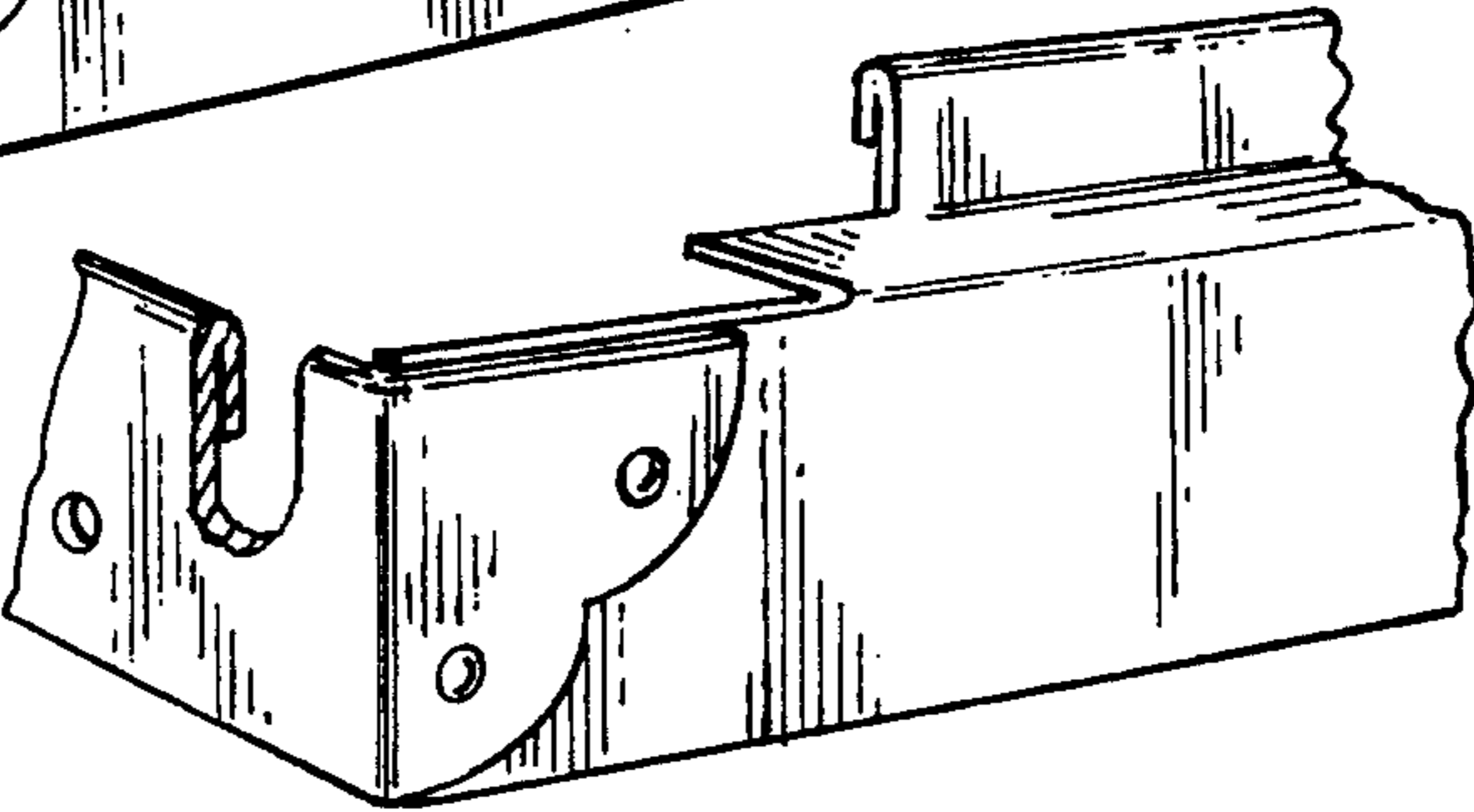
- D. 223,403 4/1972 Smith ..... D6/199 X
- D. 224,730 9/1972 Propst et al. .... D6/191
- D. 235,956 7/1975 Noneman et al. .... D6/191



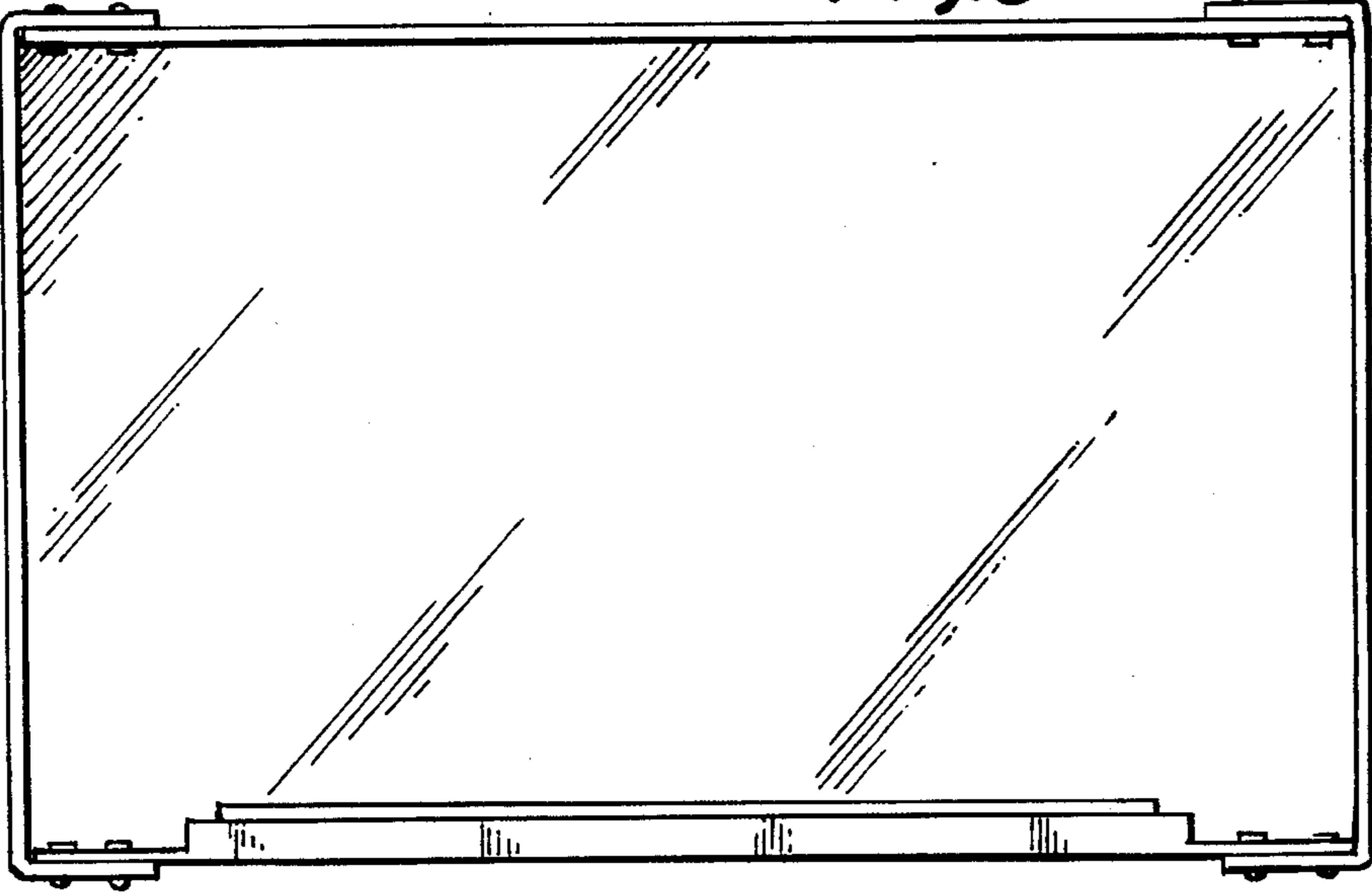
*Fig.1.*



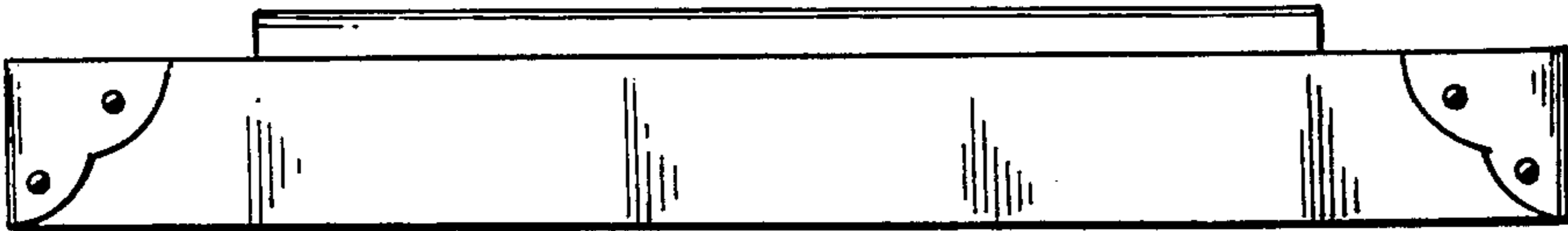
*Fig.2.*



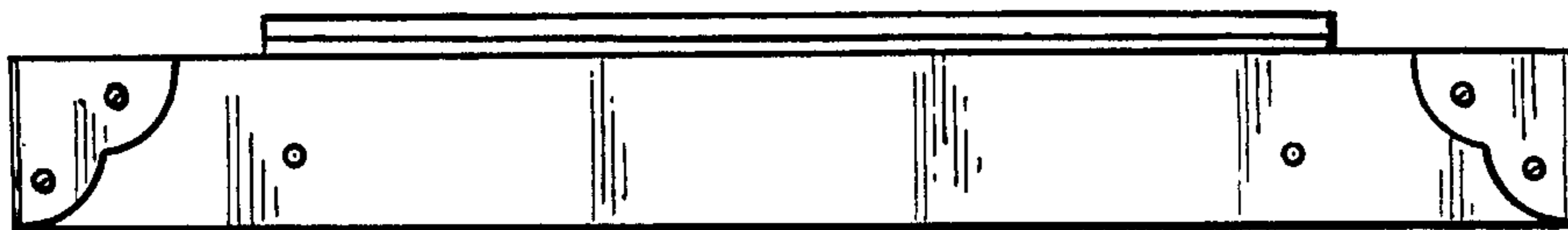
*Fig.3.*



*Fig.4.*



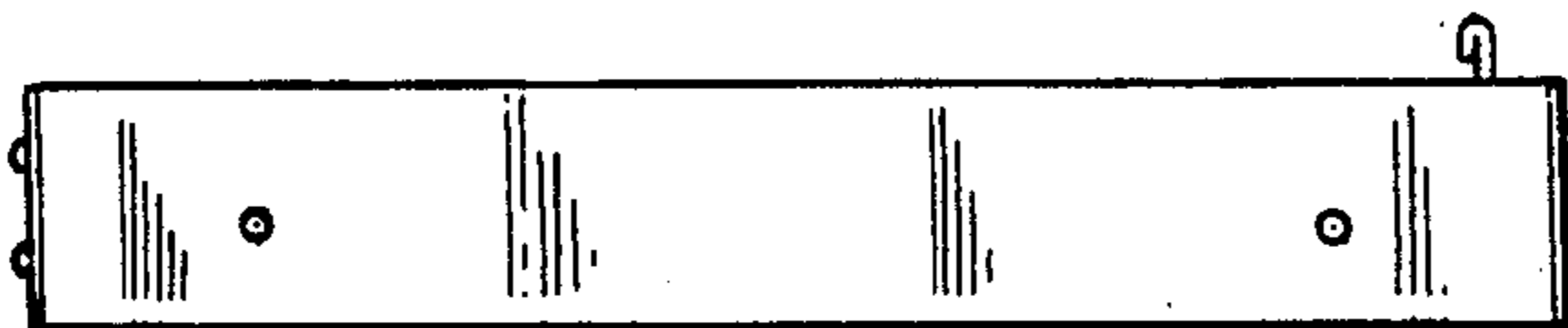
*Fig. 5.*



*Fig. 6.*



*Fig. 7.*



*Fig. 8.*

