

[54] COMBINED TYPEWRITER CASING AND COVER THEREFOR

[75] Inventor: Robin P. Boot, Birmingham, England

[73] Assignee: Dobson Park Industrial Products Ltd., New Basford, England

[**] Term: 14 Years

[21] Appl. No.: 777,766

[22] Filed: Mar. 15, 1977

[30] Foreign Application Priority Data

Sep. 17, 1976 [GB] United Kingdom 977218/76

[51] Int. Cl. D3-02

[52] U.S. Cl. D3/72

[58] Field of Search D87/1 R, 5 F; D64/11 A; 312/208; D18/1

[56] References Cited

U.S. PATENT DOCUMENTS

D. 196,544	10/1963	Sundberg et al.	D87/1 R
D. 226,292	2/1973	Bienkowski et al.	D87/1 R
D. 234,545	3/1975	DeTomaso et al.	D87/1 R
D. 235,480	6/1975	Baughman	D87/1 R

Primary Examiner—George P. Word
Attorney, Agent, or Firm—Bertram Frank

[57] CLAIM

The ornamental design for a combined typewriter casing and cover therefor, as shown and described.

DESCRIPTION

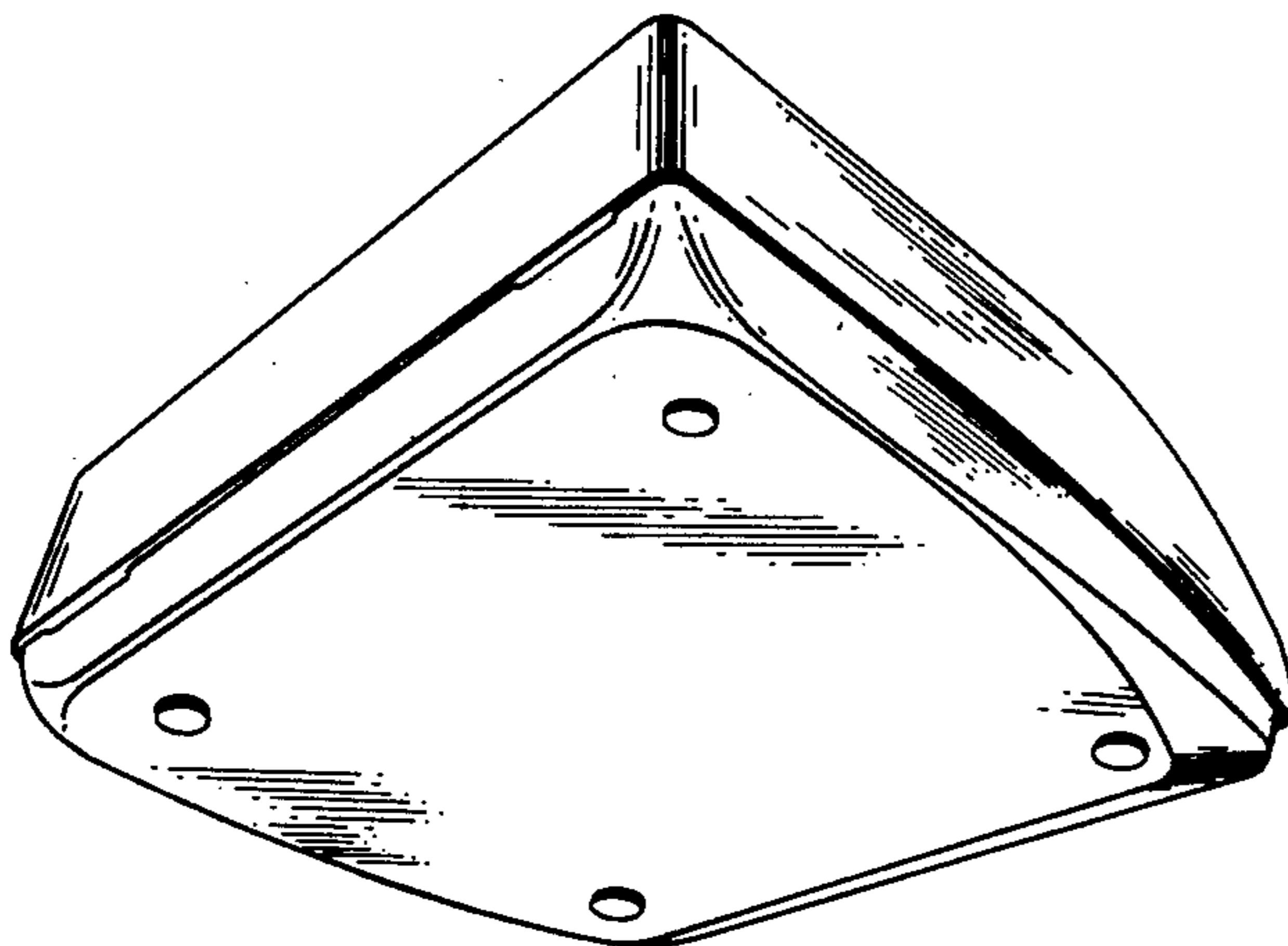
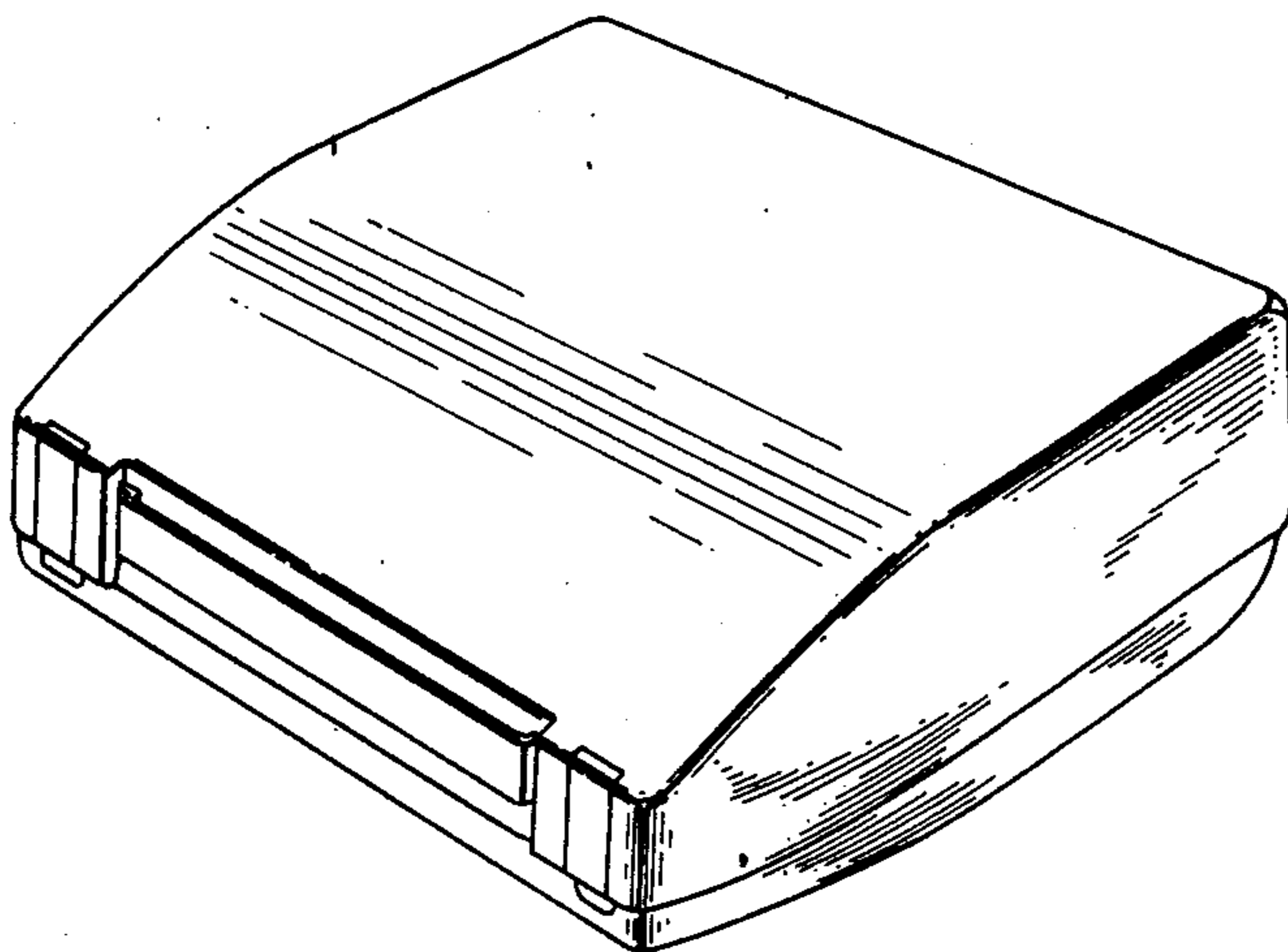
FIG. 1 is a top front perspective view of a combined typewriter casing and cover therefor showing my new design,

FIG. 2 is a bottom rear perspective view thereof, and

FIG. 3 is a front elevational view thereof,

FIG. 4 is a left side elevational view thereof, and

FIG. 5 is a top plan view thereof.



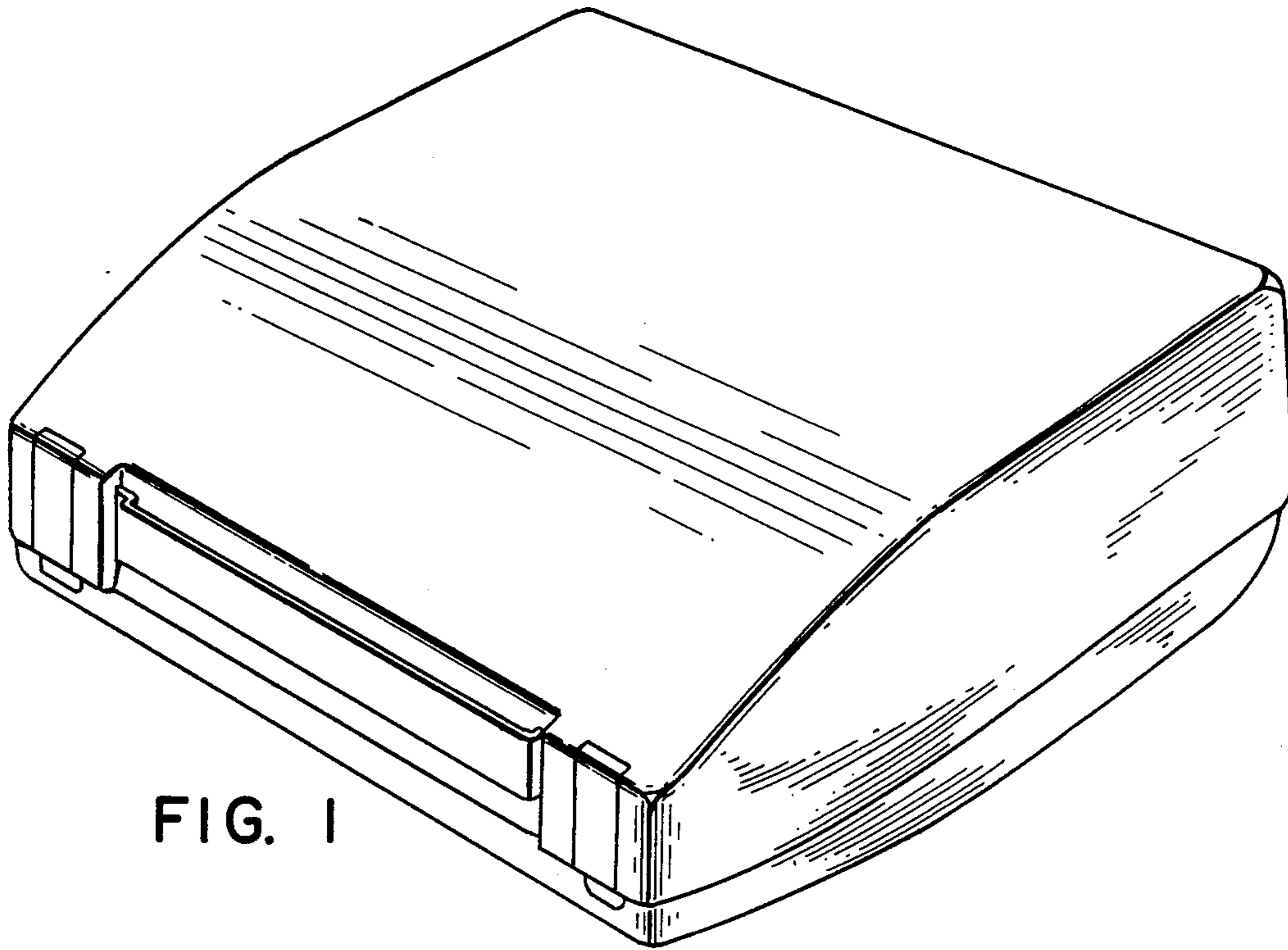


FIG. 1

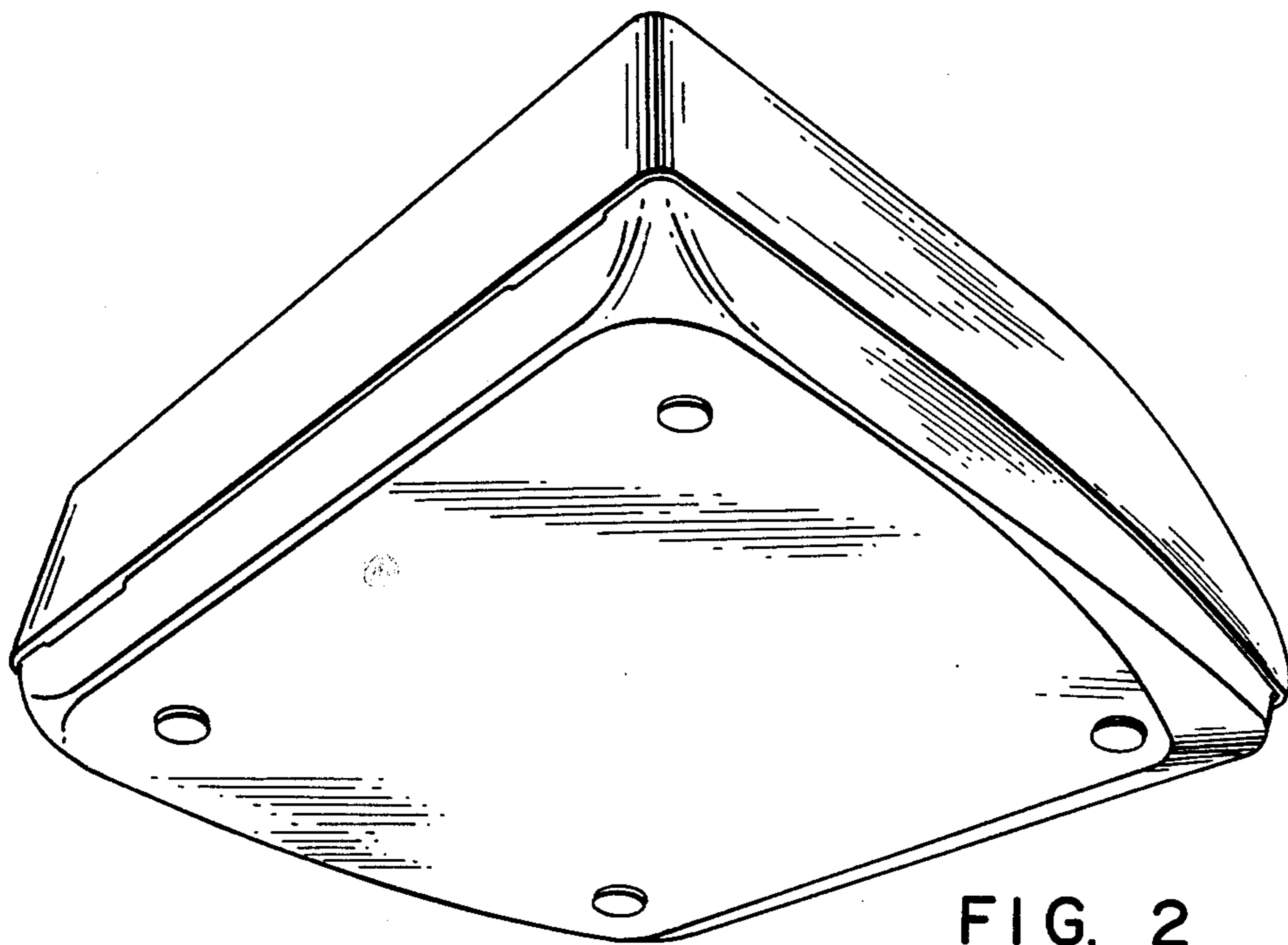


FIG. 2

FIG. 3

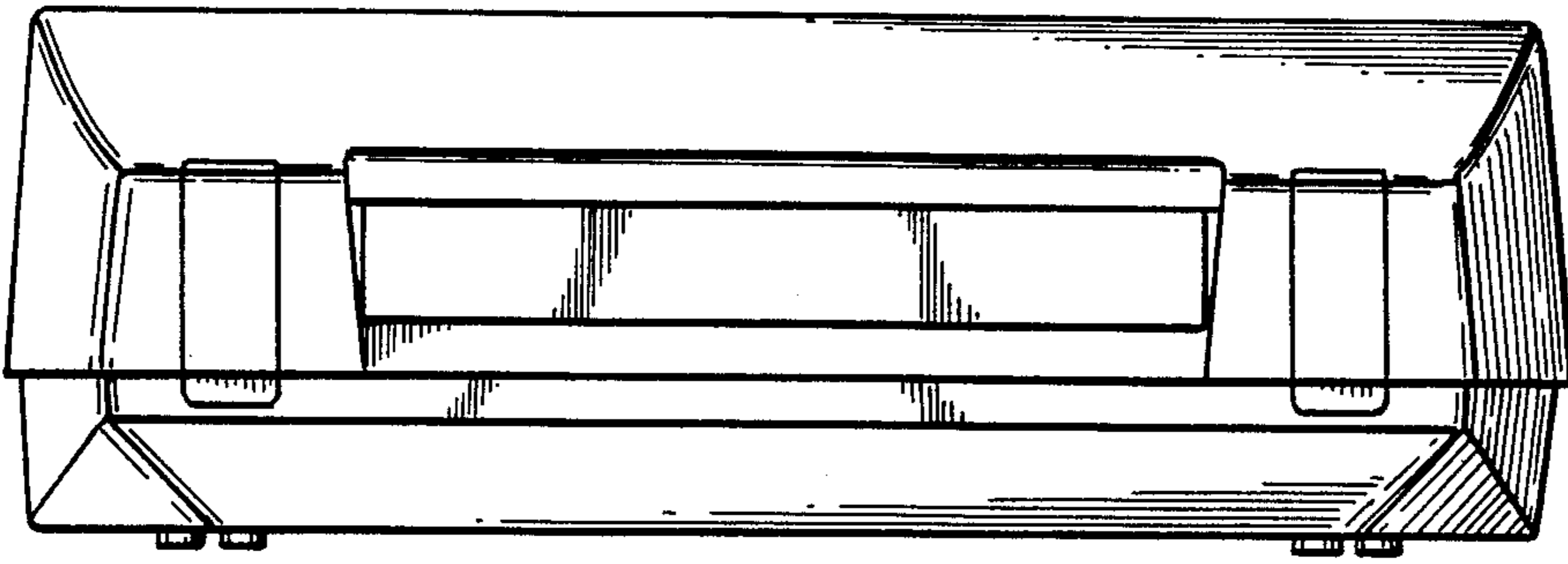


FIG. 4

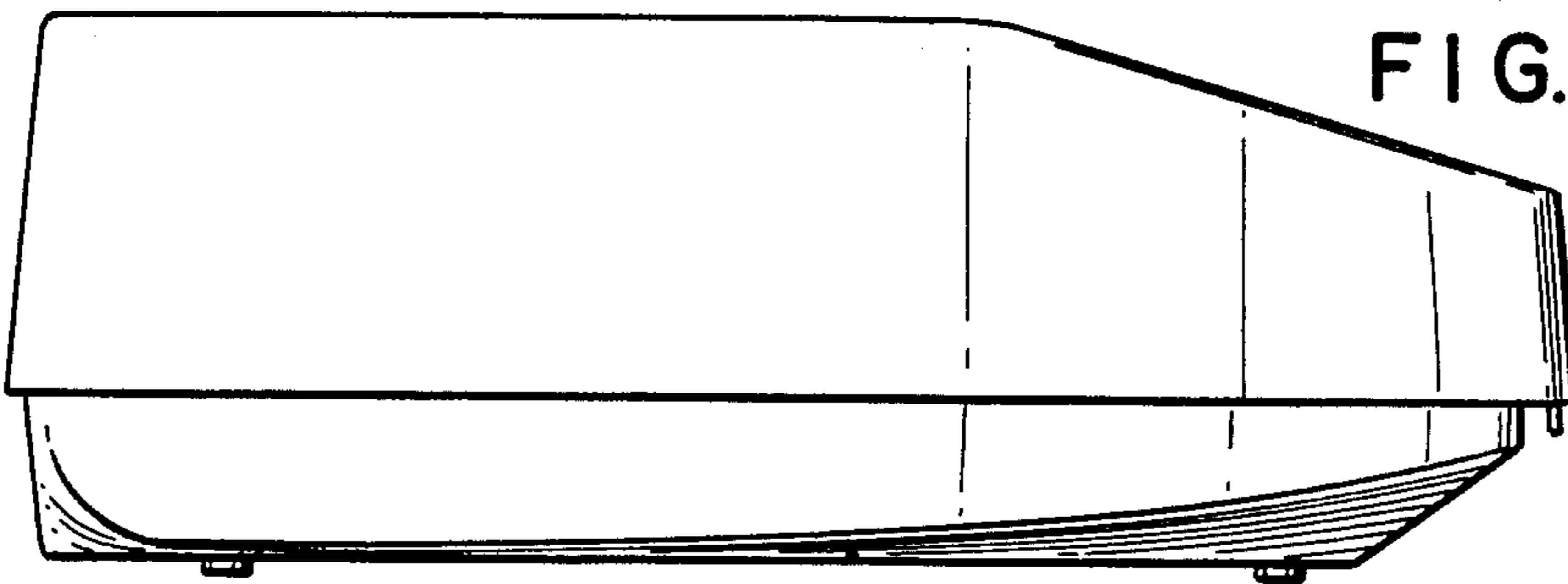


FIG. 5

