

[54] **ADJUSTABLE FOAL FEEDER**

[76] Inventor: **Warren R. Coots**, 2363 Hialeah Cir., Norco, Calif. 91760

[\*\*] Term: **14 Years**

[21] Appl. No.: **38,670**

[22] Filed: **May 14, 1979**

[51] Int. Cl. .... **D30-03**

[52] U.S. Cl. .... **D30/13**

[58] Field of Search ..... **D30/13-18;**  
119/61

1,259,790 3/1918 Shirley ..... 119/61

1,283,627 11/1918 Barnes ..... 119/61

2,972,979 2/1961 Strrek ..... 119/62 X

*Primary Examiner*—James R. Largen  
*Attorney, Agent, or Firm*—G. Donald Weber, Jr.

[57] **CLAIM**

The ornamental design for an adjustable foal feeder, as shown and described.

**DESCRIPTION**

FIG. 1 is a perspective view of an adjustable foal feeder showing my new design.

FIG. 2 is a top view thereof.

FIG. 3 is a front view thereof.

FIG. 4 is a side view thereof.

FIG. 5 is another side view thereof, with a portion broken away for convenience of illustration.

FIG. 6 is a bottom view thereof.

FIG. 7 is an exploded perspective view thereof, with portions broken away for convenience of illustration.

[56] **References Cited**

**U.S. PATENT DOCUMENTS**

D. 24,952	12/1895	Denny	.....	D30/13
610,574	9/1898	Ziegler	.....	119/61 X
733,448	7/1903	Williams	.....	119/61
1,102,371	7/1914	Warren	.....	119/61
1,257,861	2/1918	Herbert	.....	119/61

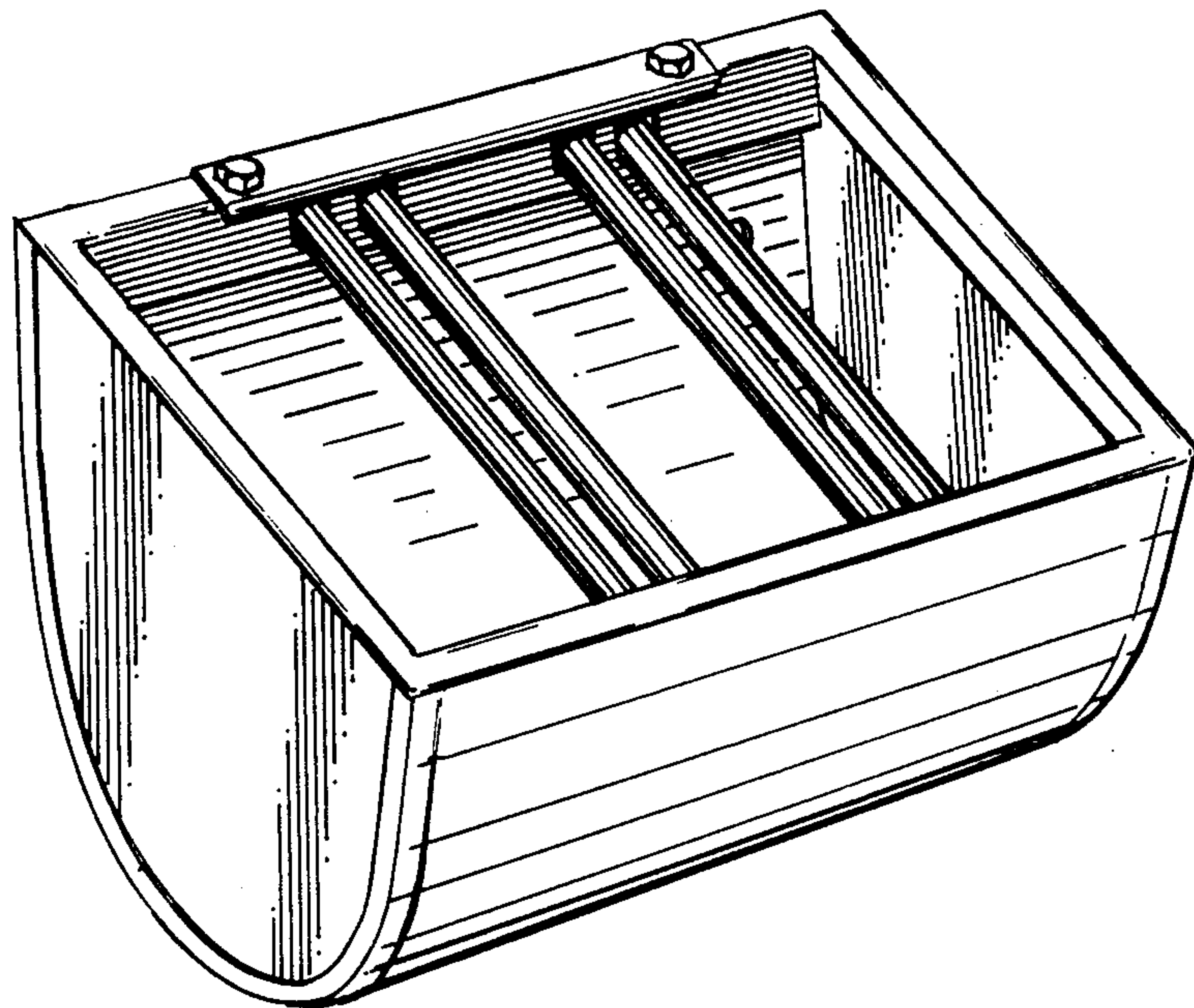


FIG. 1

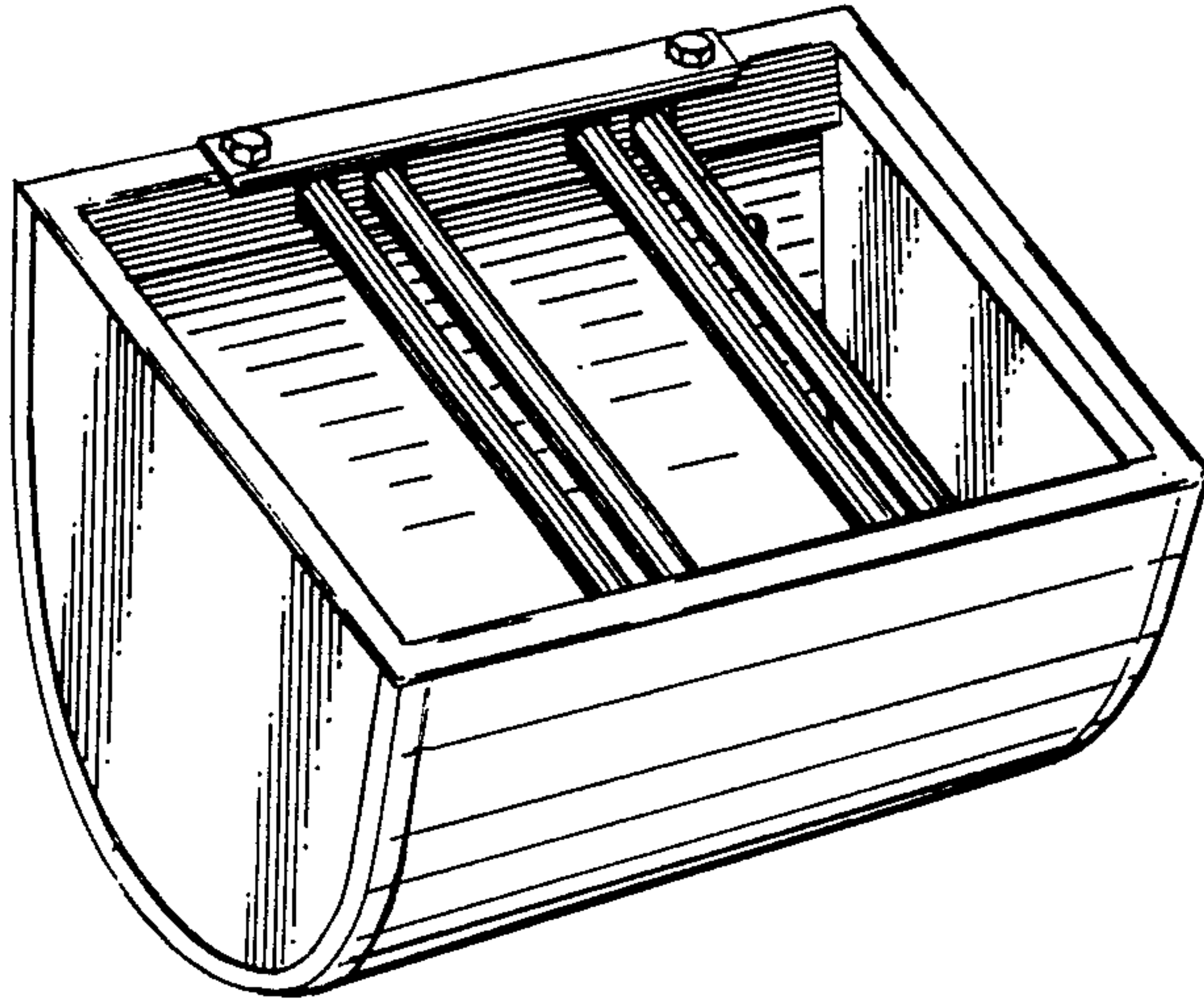


FIG. 2

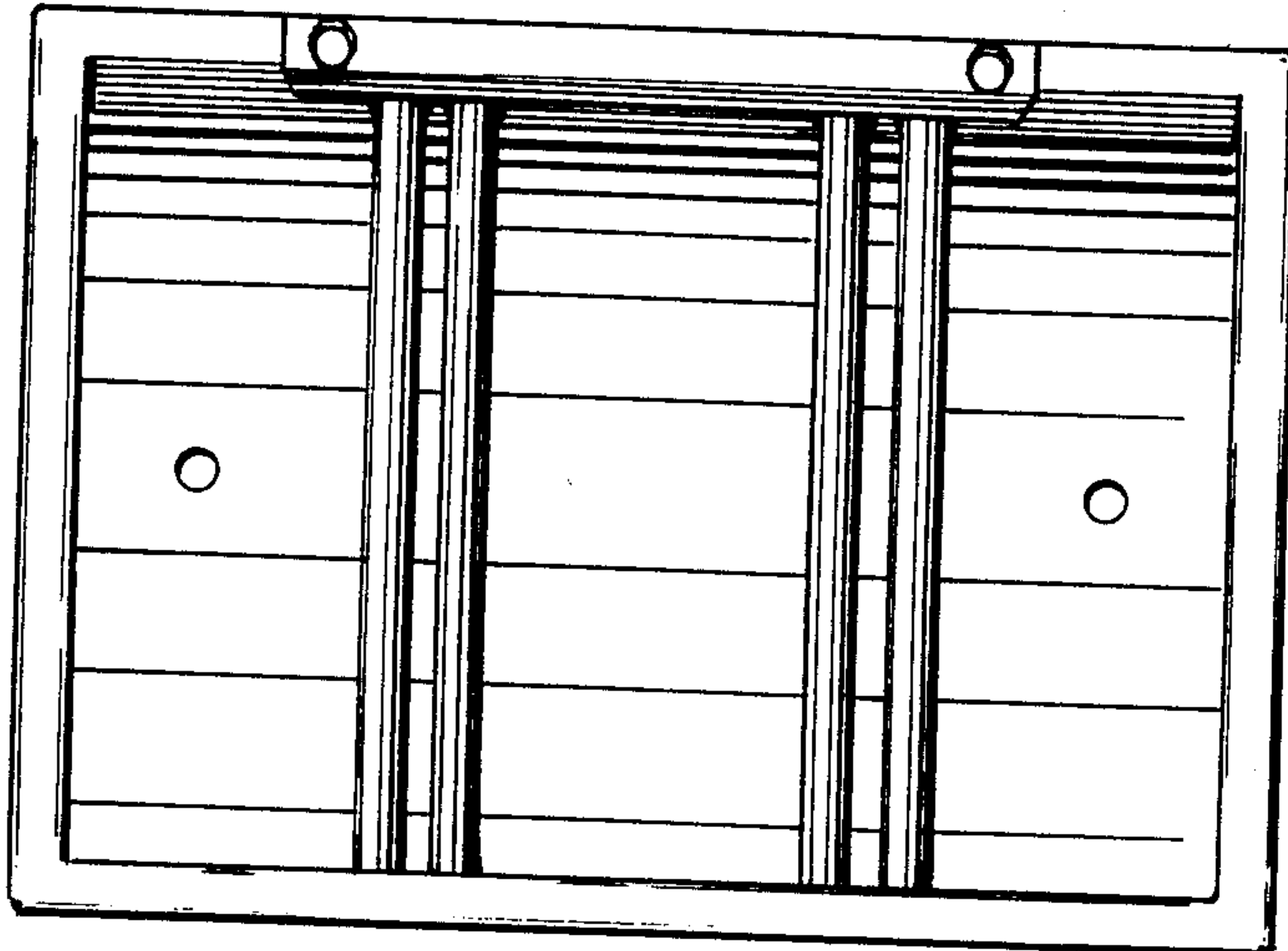
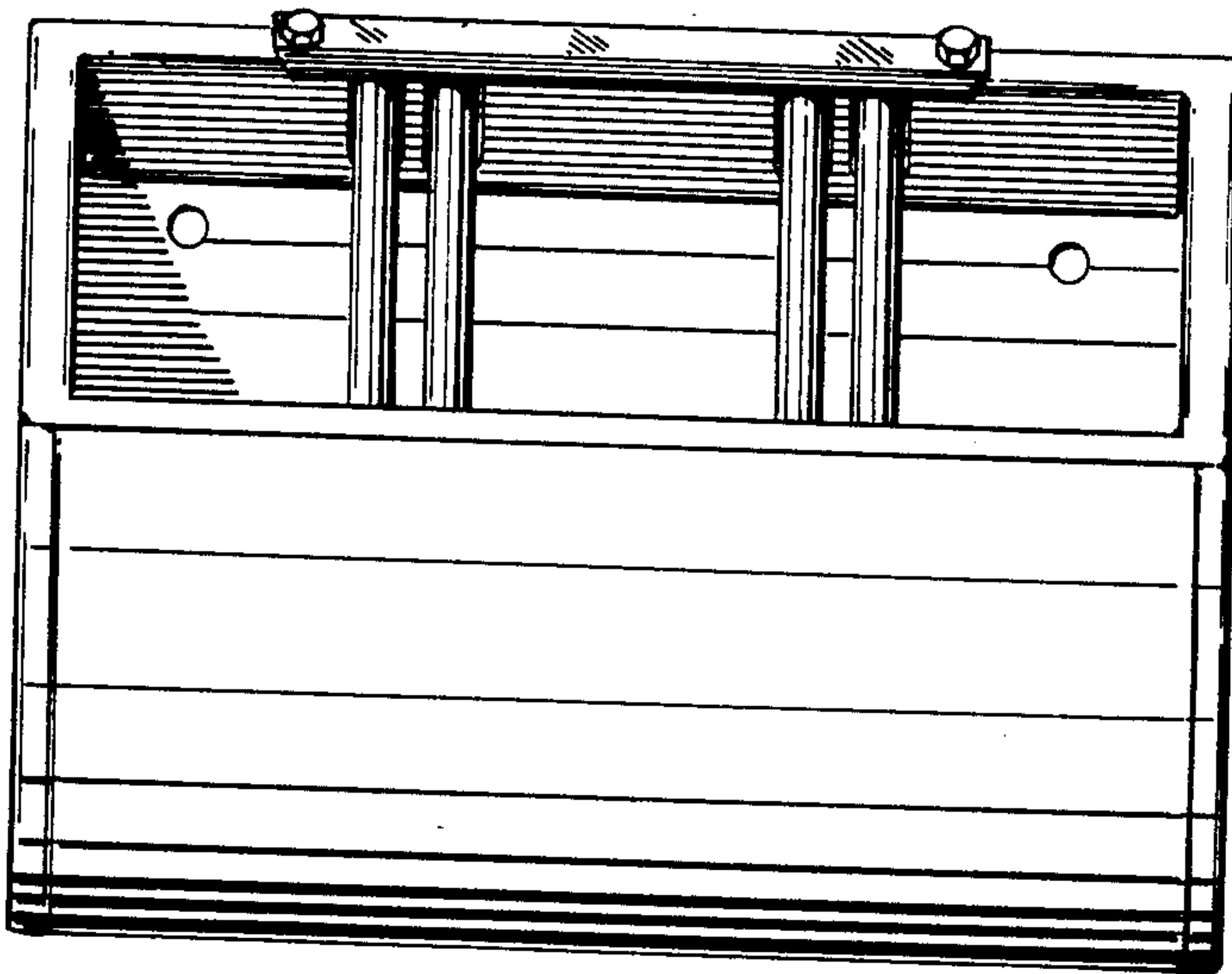


FIG. 3



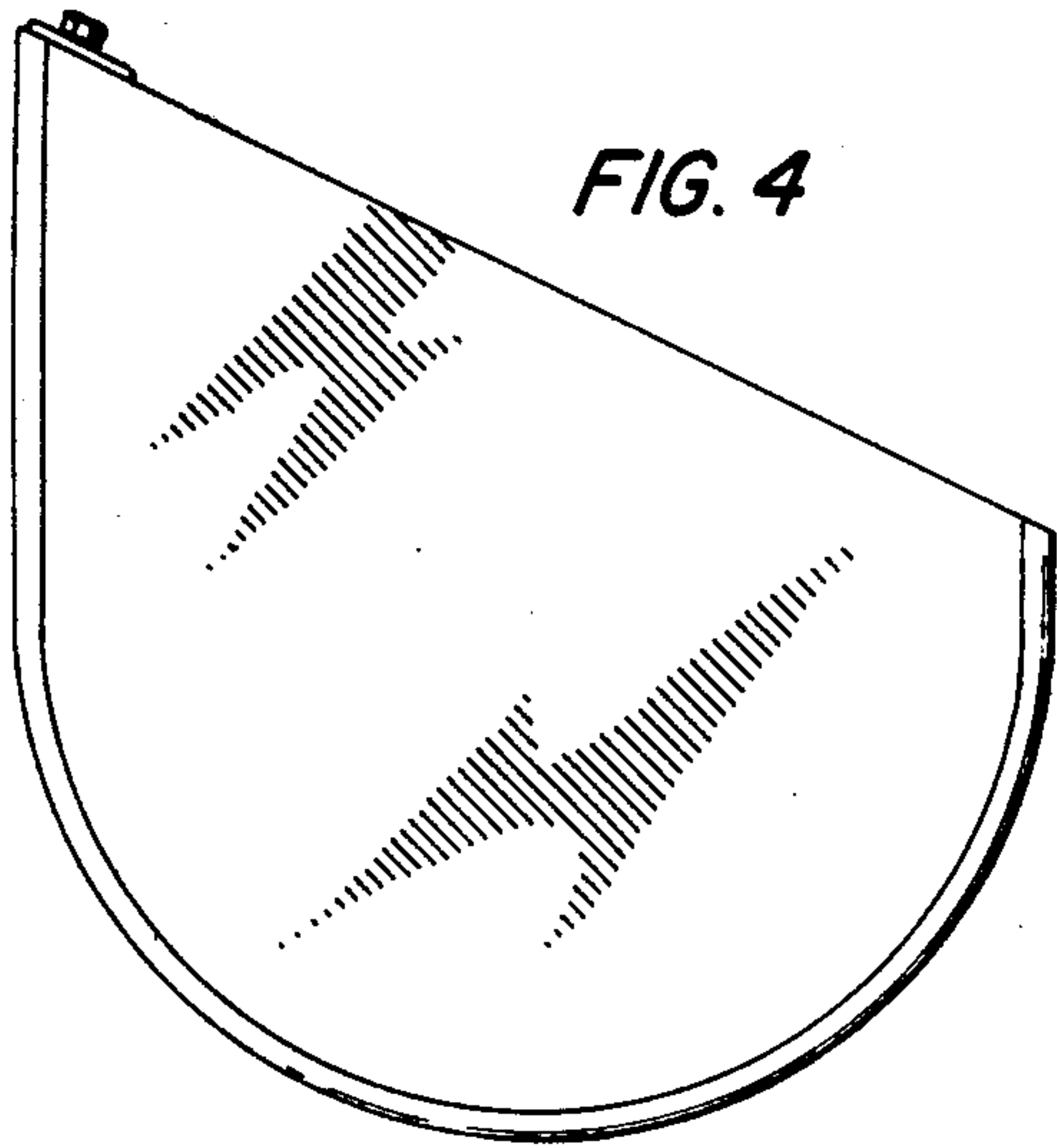


FIG. 4

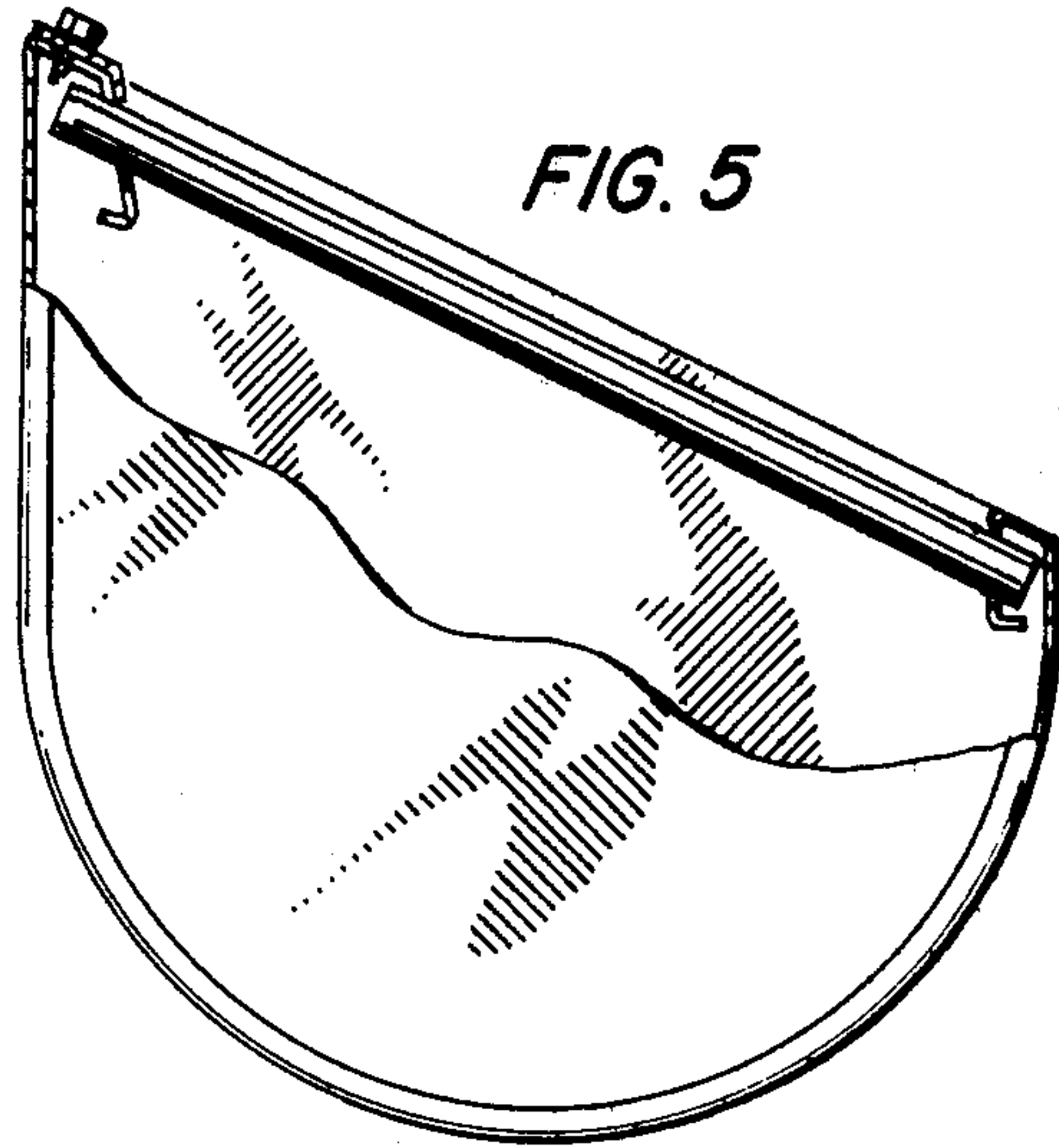


FIG. 5

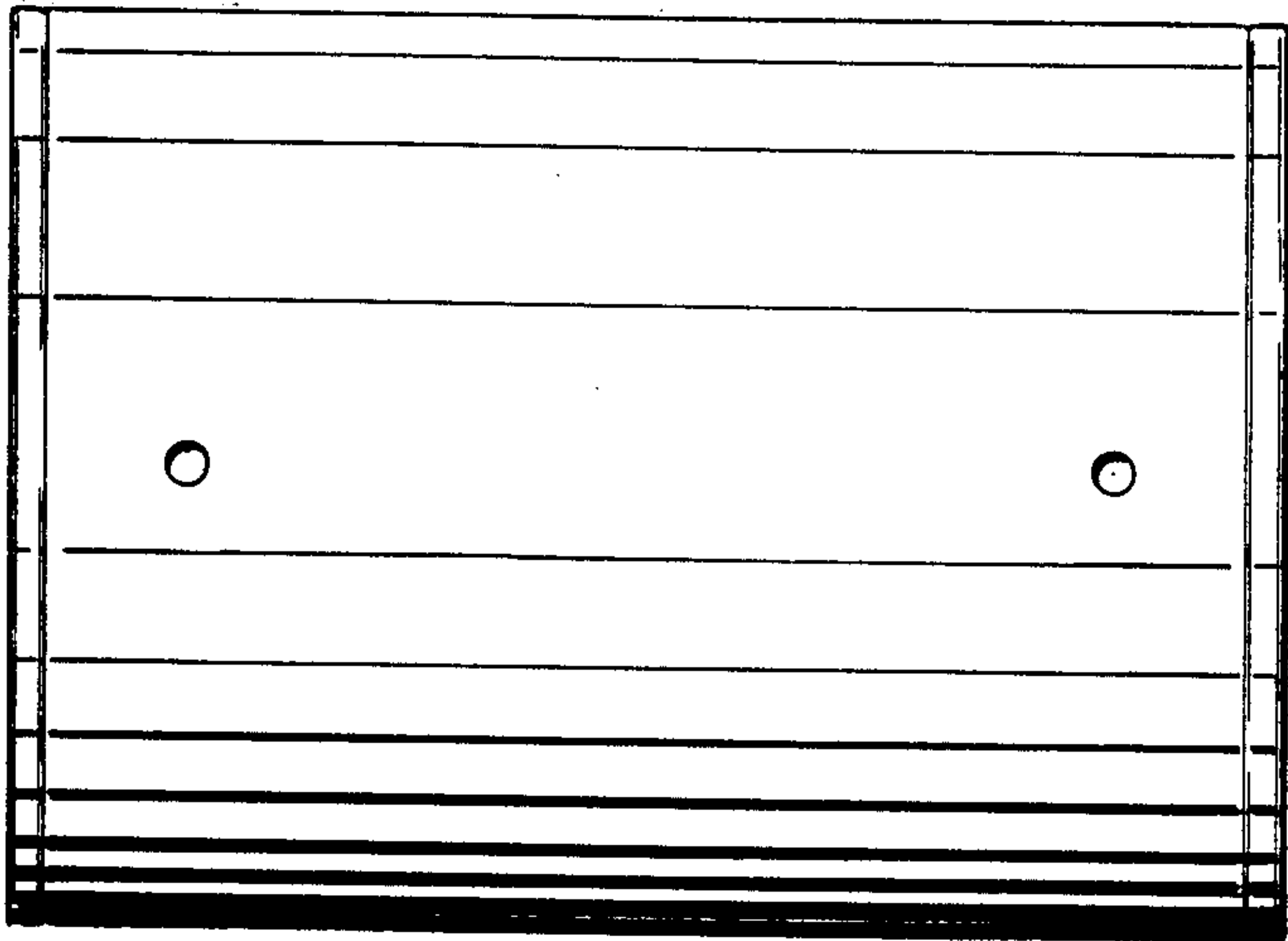


FIG. 6

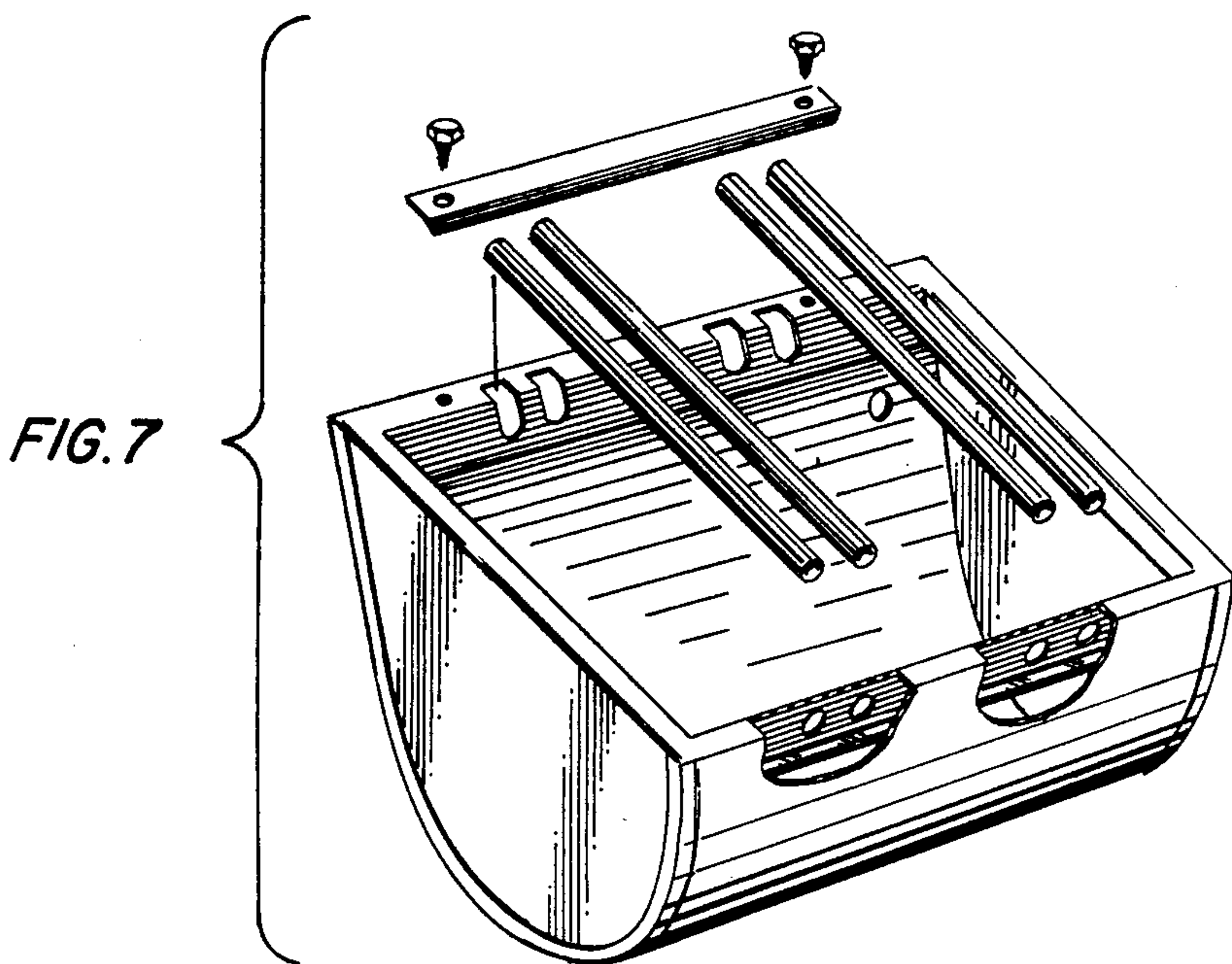


FIG. 7