

[54] **DENTAL ARTICULATOR** 3,452,439 7/1969 Lee 433/55
 3,590,487 7/1971 Guichet 433/62
 [76] Inventor: Robert L. Lee, 22937 Grand Ter., 3,593,424 7/1971 Lee 433/55
 Colton, Calif. 92324 3,694,919 10/1972 Lee et al. 433/55
 [**] Term: 14 Years 3,896,550 7/1975 Lee 433/57
 3,897,632 8/1975 Beu 433/57
 [21] Appl. No.: 965,035 4,024,640 5/1977 Guichet 433/57
 4,034,474 7/1977 Lee 433/69
 [22] Filed: Nov. 30, 1978 4,034,475 7/1977 Lee 433/56

Primary Examiner—Bernard Ansher
 Attorney, Agent, or Firm—Louis J. Knobbe

[57] CLAIM

The ornamental design for a dental articulator, as shown and described.

DESCRIPTION

FIG. 1 is a top plan view of a dental articulator, showing my new design;
 FIG. 2 is a right side view thereof;
 FIG. 3 is a bottom plan view thereof;
 FIG. 4 is a front view thereof;
 FIG. 5 is a rear view thereof; and
 FIG. 6 is a left side view thereof.

[56] References Cited
 U.S. PATENT DOCUMENTS

D. 198,024	4/1964	De Pietro	D24/10
D. 204,381	4/1966	Orofino	D24/10
1,703,105	2/1929	Hawksworth	433/56
1,733,507	10/1929	McCollum	433/56
1,815,956	7/1931	Ralph	433/58
2,235,524	3/1941	Lentz	433/58
2,816,360	12/1957	Stuart	433/55
3,019,530	2/1962	De Pietro	433/59

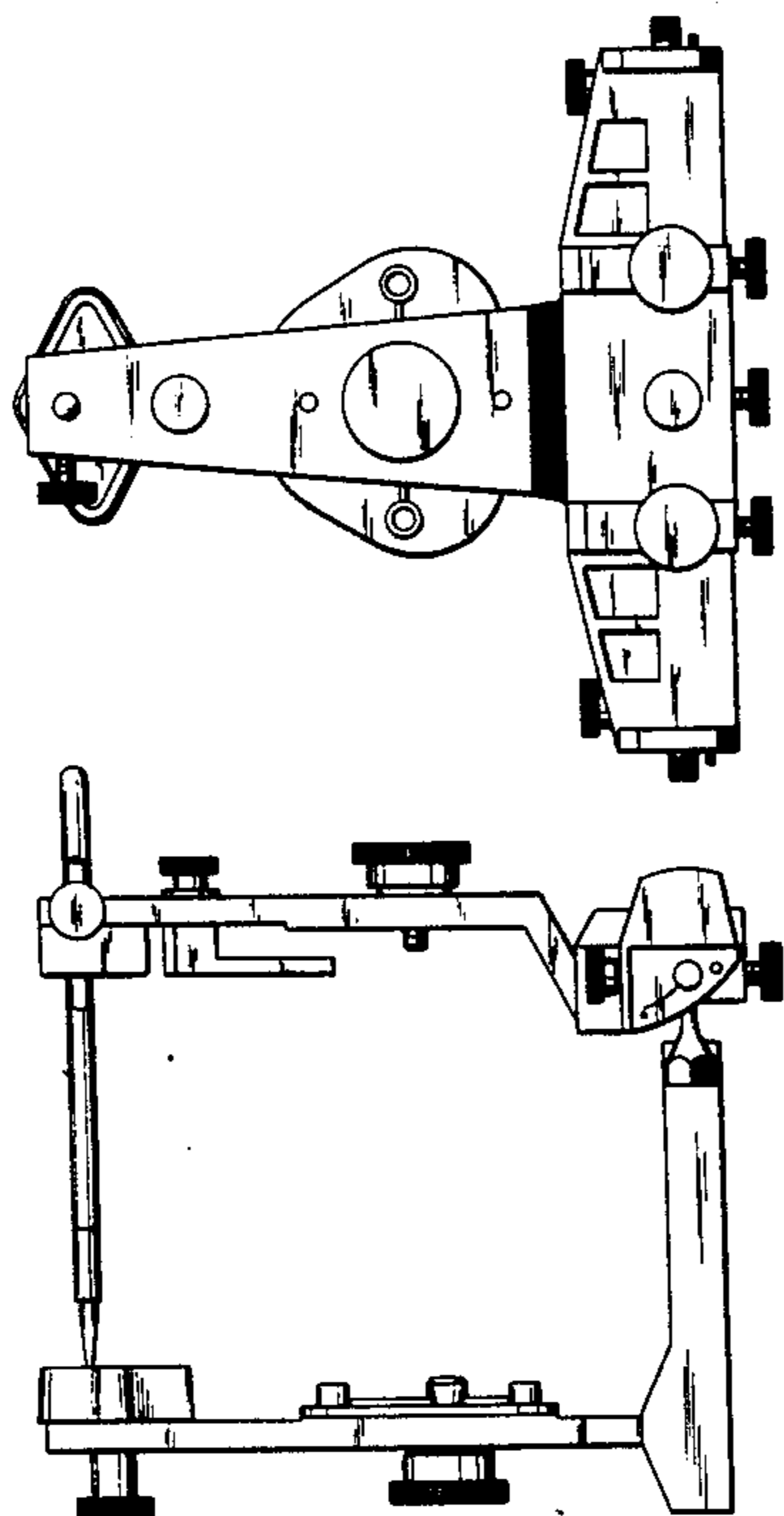


Fig. 1

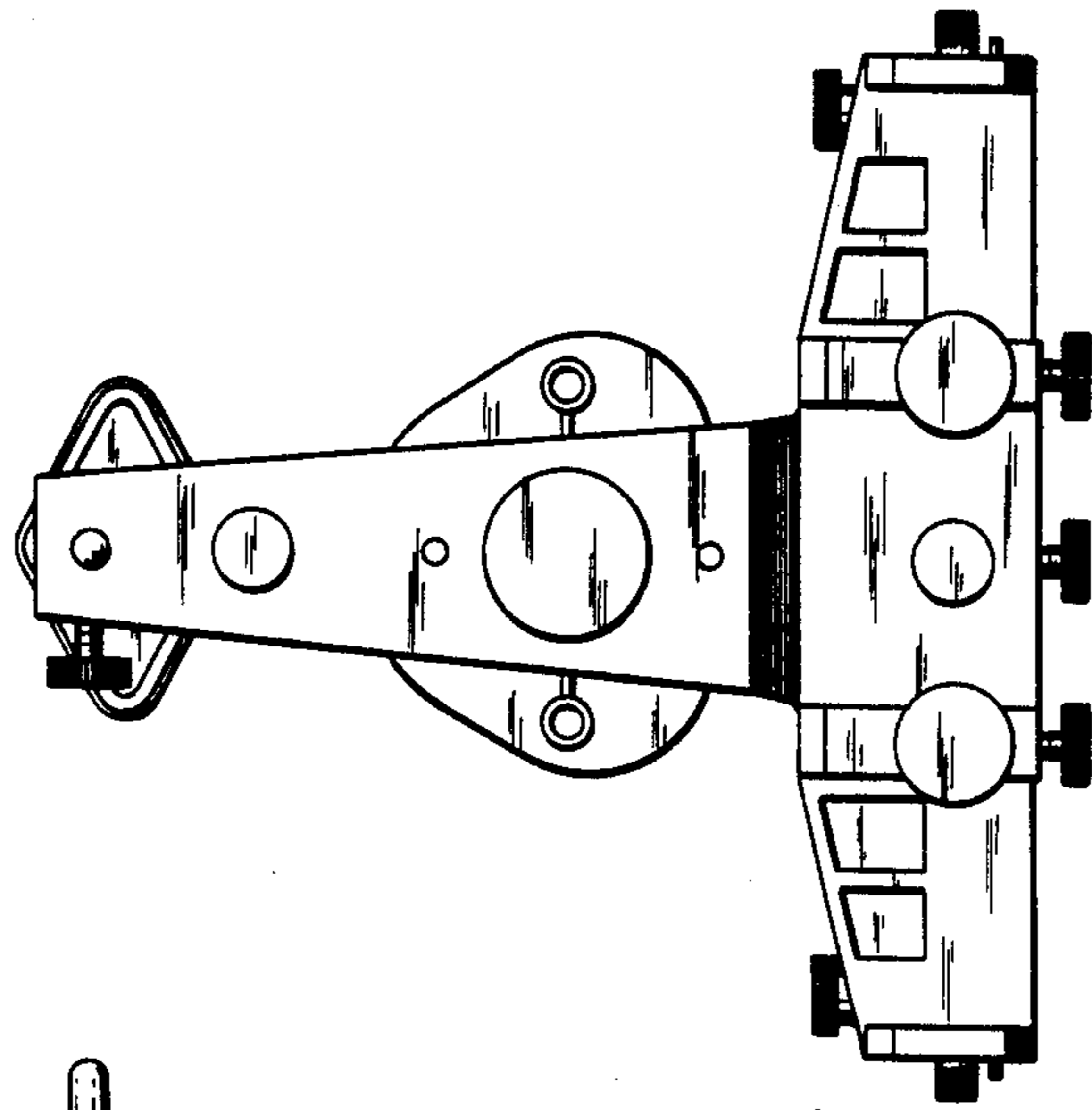


Fig. 2

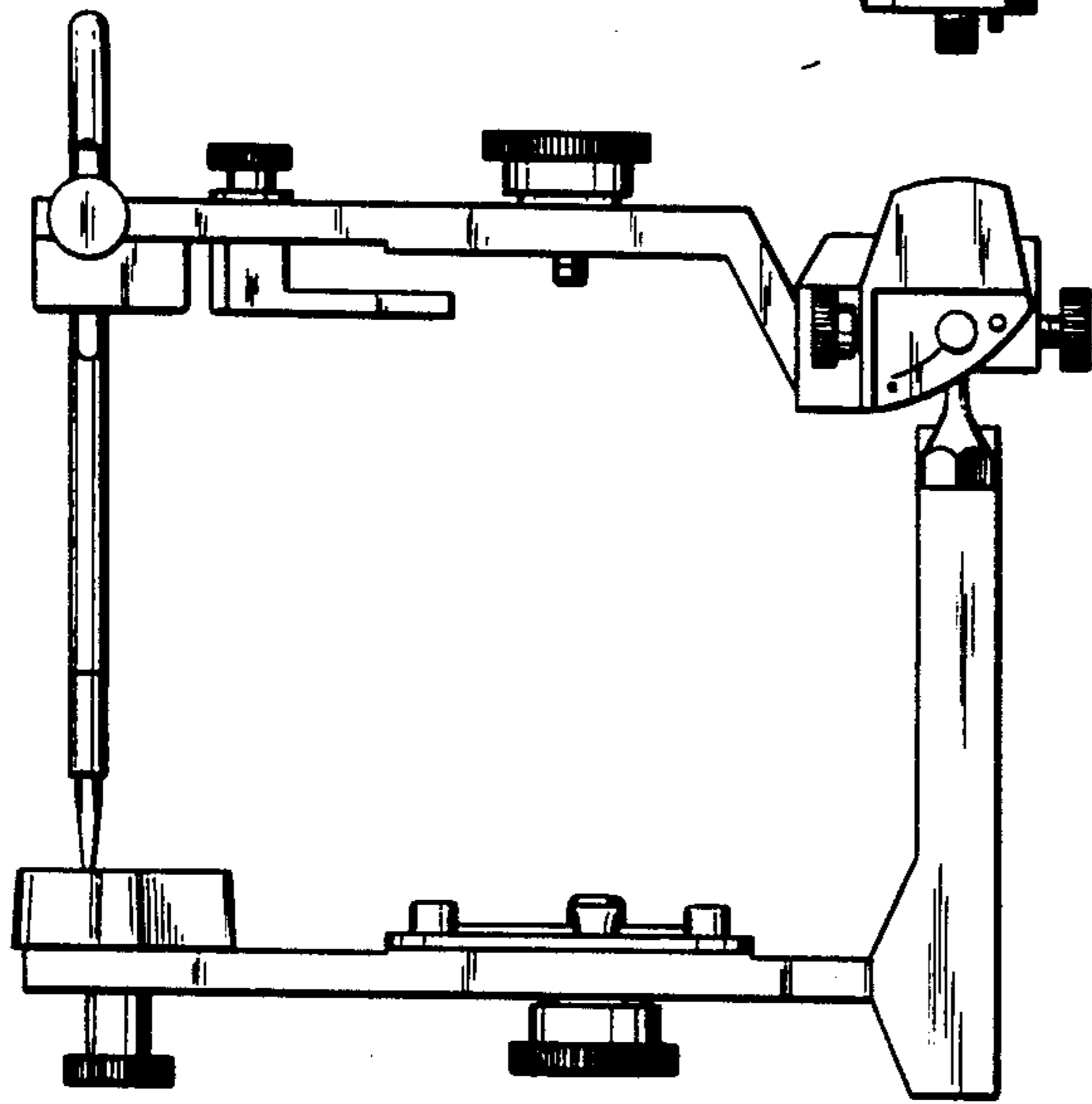


Fig. 3

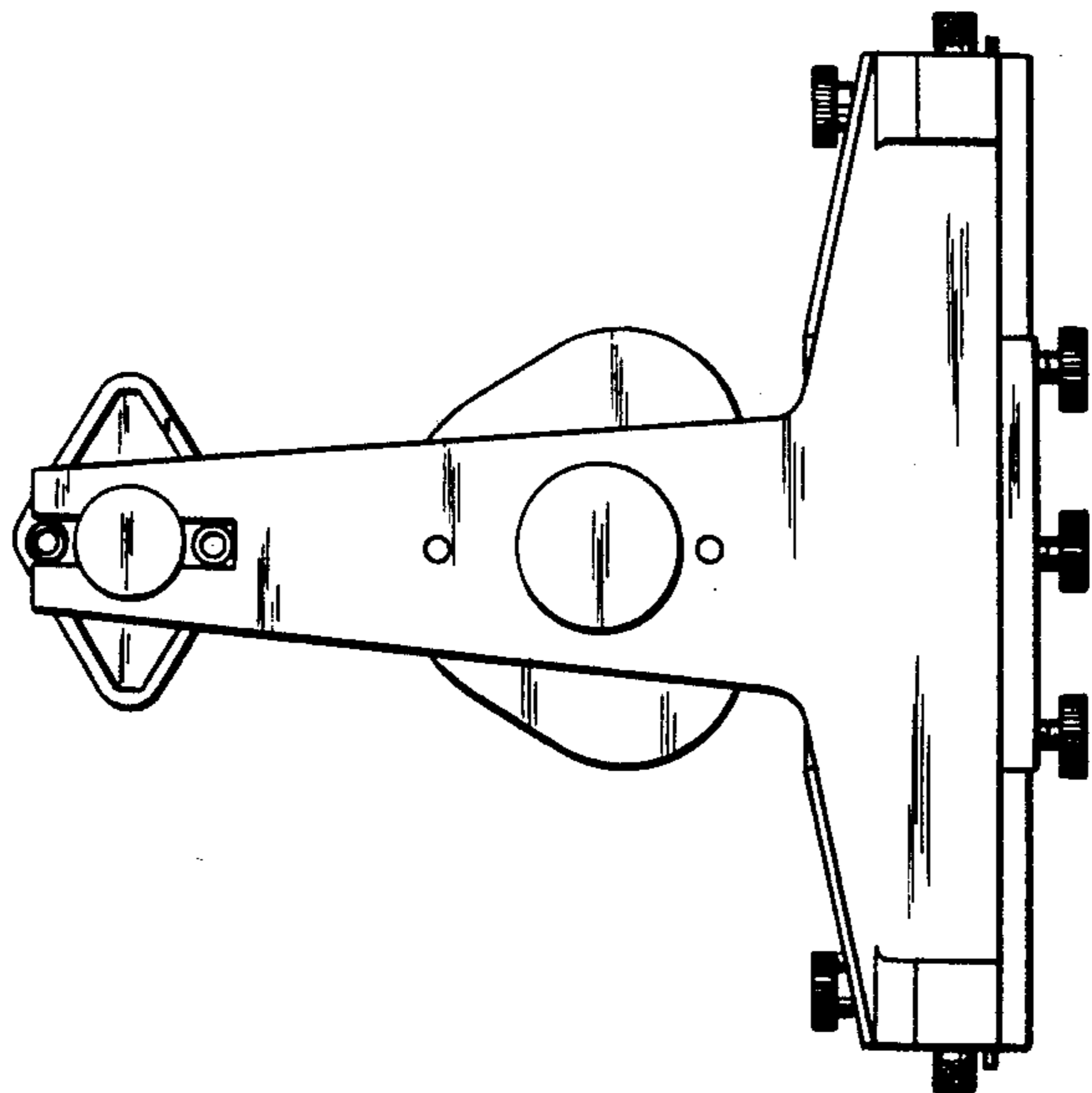


Fig. 4

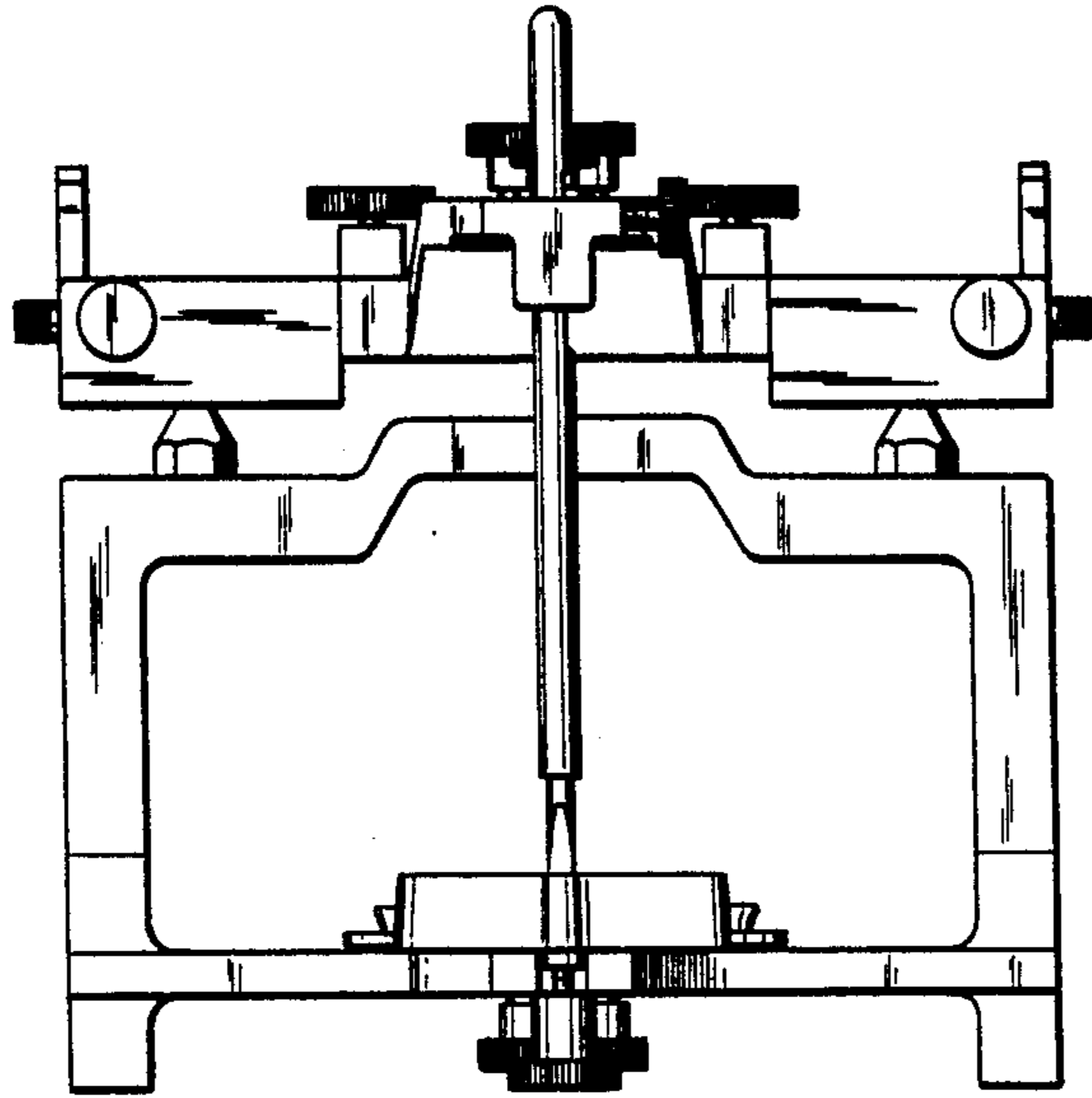


Fig. 5

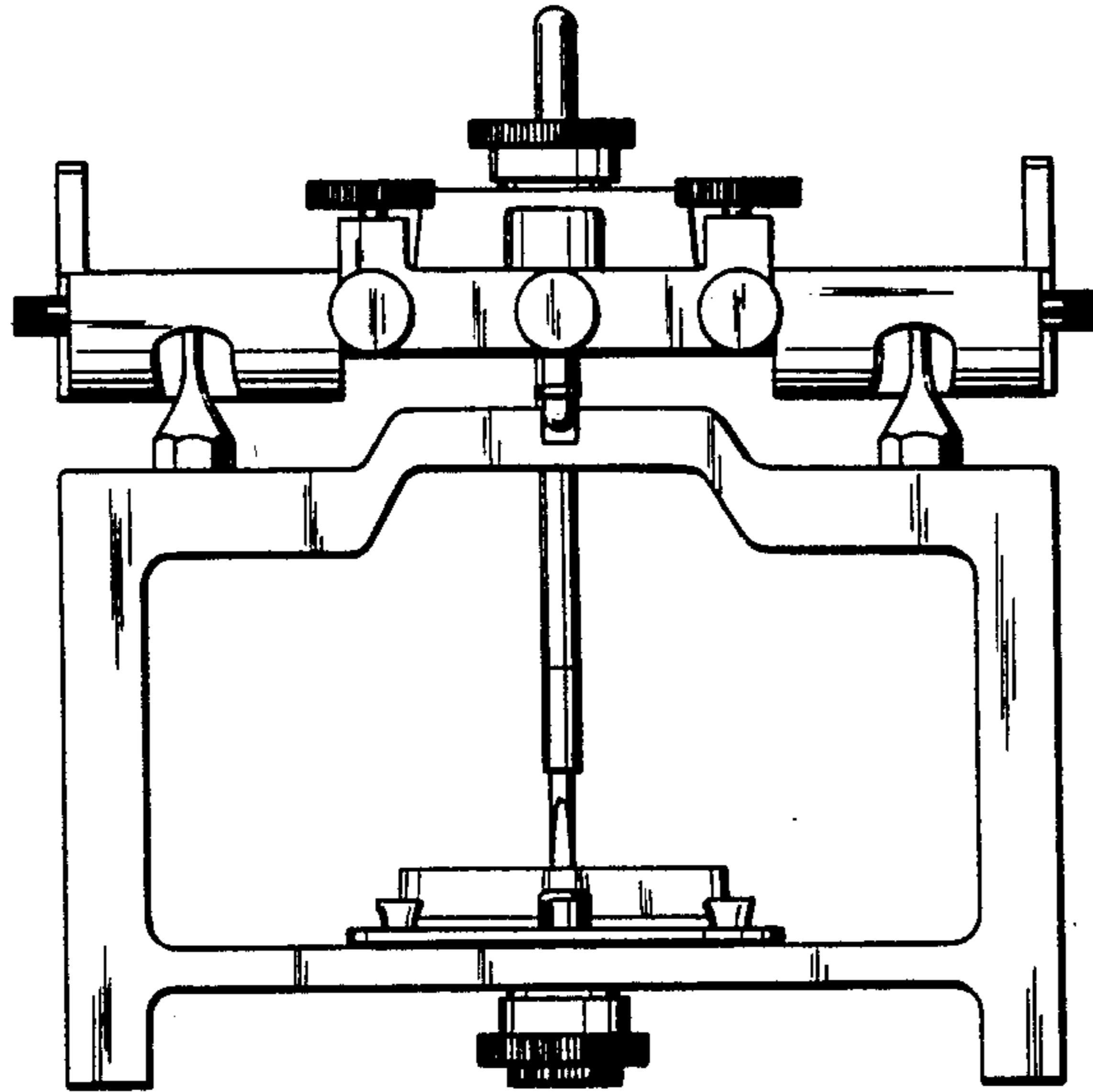


Fig. 6

