

[54] DIALYZER CARTRIDGE

[75] Inventors: Kurt Spranger, Ammerbuch-Entringen, Fed. Rep. of Germany; Bengt Nestell, Hoellviksnaes, Sweden

[73] Assignee: Gambro Dialysatoren GmbH and Co. KG, Fed. Rep. of Germany

[**] Term: 14 Years

[21] Appl. No.: 895,872

[22] Filed: Apr. 12, 1978

[30] Foreign Application Priority Data

Oct. 17, 1977 [SE] Sweden 772068
Oct. 17, 1977 [SE] Sweden 772070

[51] Int. Cl. D24-01

[52] U.S. Cl. D24/21

[58] Field of Search 210/321 R, 321 A, 22 R, 210/22 A; D24/8, 17, 21

[56] References Cited

U.S. PATENT DOCUMENTS

D. 216,849 3/1970 Carsello D24/8
D. 239,881 5/1976 Morgan et al. D24/17
D. 245,811 9/1977 Gies D24/21
3,962,075 6/1976 Fialkoff et al. 210/22 A
4,141,835 2/1979 Schael et al. 210/321 A

4,187,180 2/1980 Joh 210/321 B

Primary Examiner—Bernard Ansher
Attorney, Agent, or Firm—Lawrence I. Lerner

[57] CLAIM

The ornamental design for a dialyzer cartridge, substantially as shown and described.

DESCRIPTION

FIG. 1 is a perspective view of a dialyzer cartridge showing our new design;
FIG. 2 is a right side elevational view thereof, the opposite side being a mirror image of the side shown;
FIG. 3 is a top plan view thereof;
FIG. 4 is a right end elevational view thereof;
FIG. 5 is a left end elevational view thereof;
FIG. 6 is a bottom plan view thereof;
FIG. 7 is a perspective view of a dialyzer cartridge showing a second embodiment of our new design;
FIG. 8 is a right side elevational view of such second embodiment, the opposite side being a mirror image of the side shown;
FIG. 9 is a top plan view of such second embodiment;
FIG. 10 is a left end elevational view of such second embodiment;
FIG. 11 is a right end elevational view of such second embodiment;
FIG. 12 is a bottom plan view of such second embodiment.

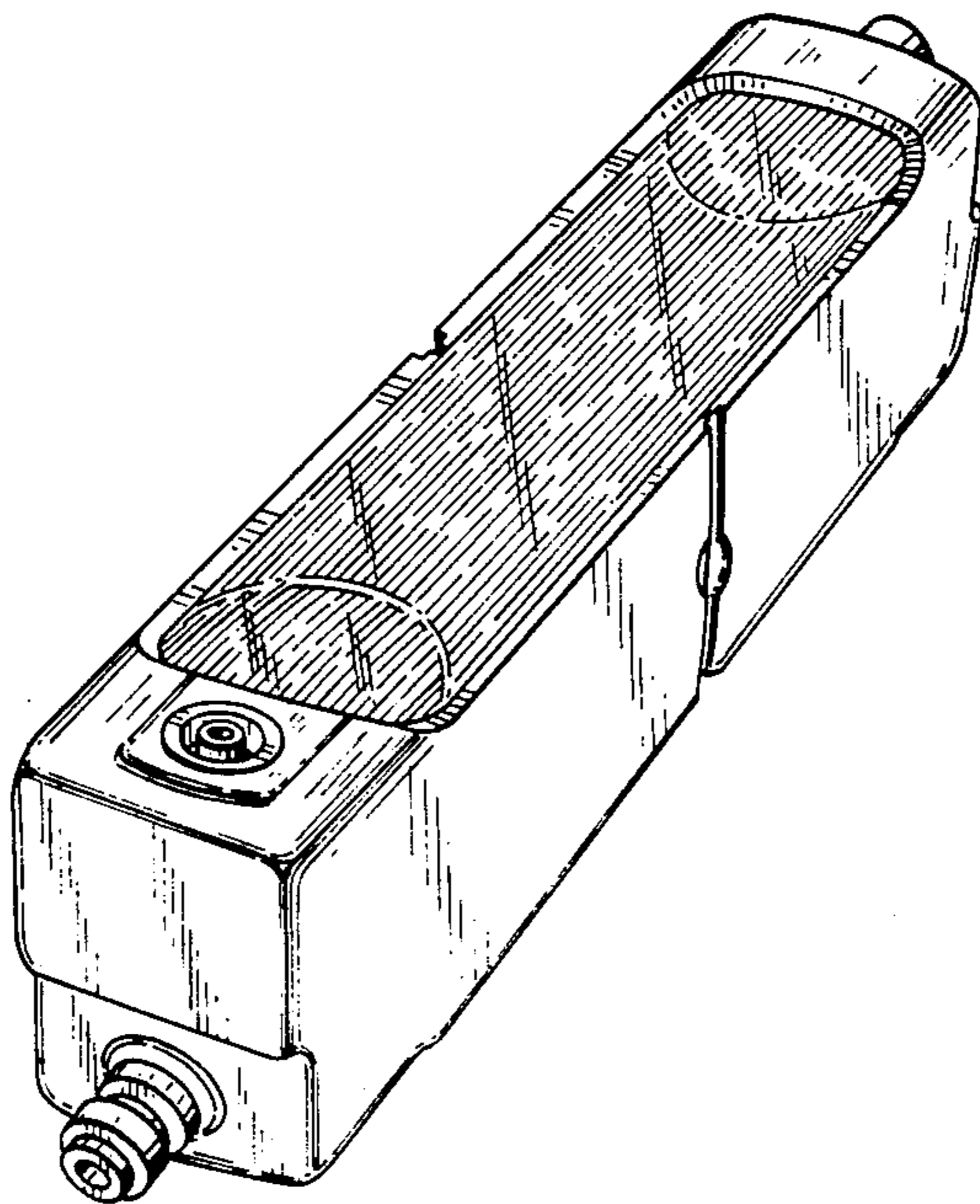


FIG.1

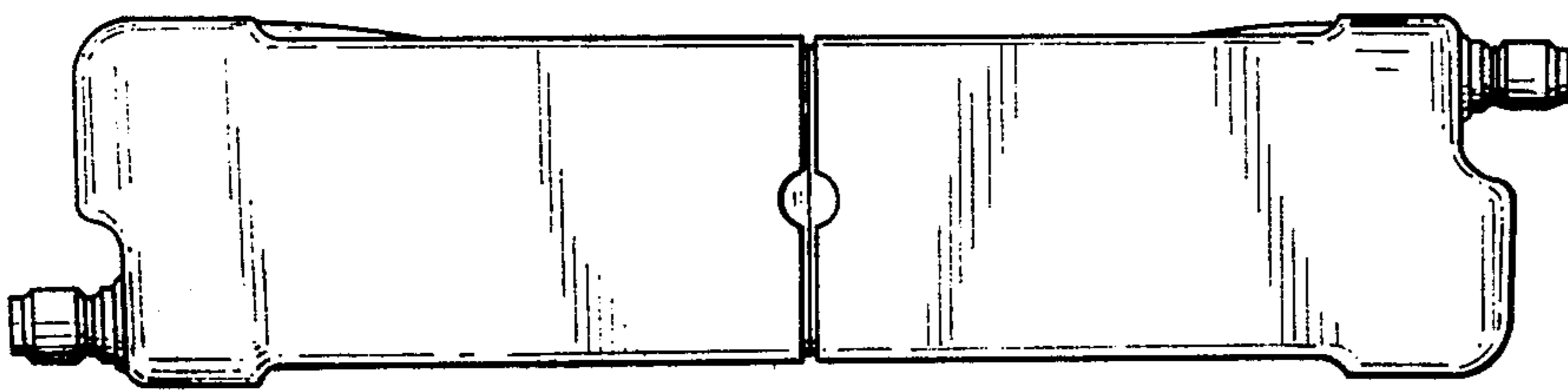
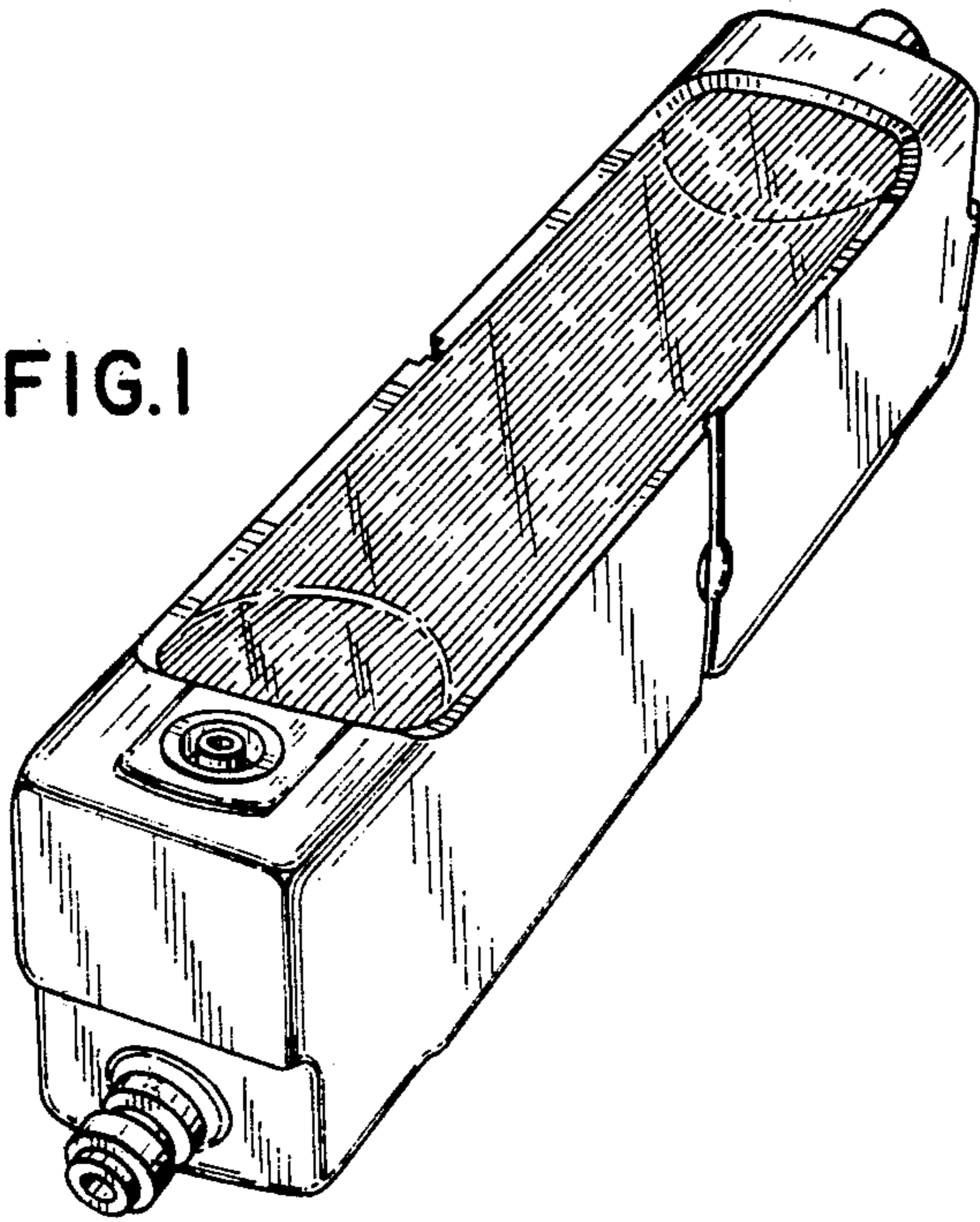


FIG.2

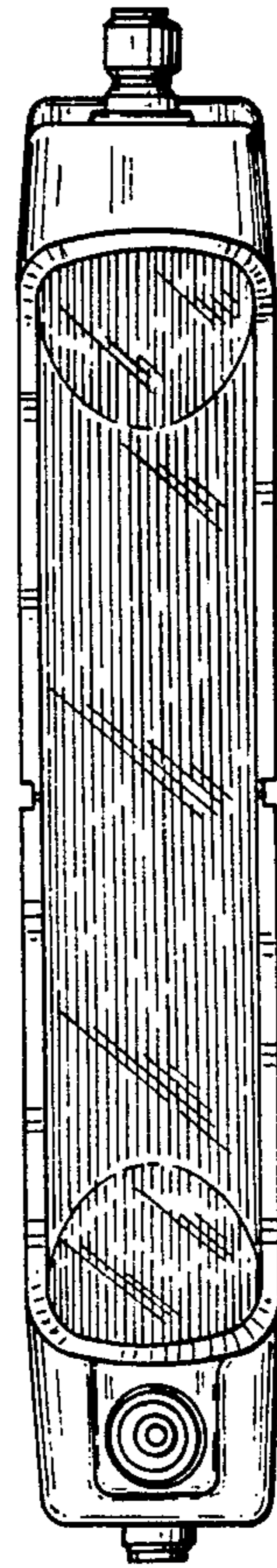


FIG.3

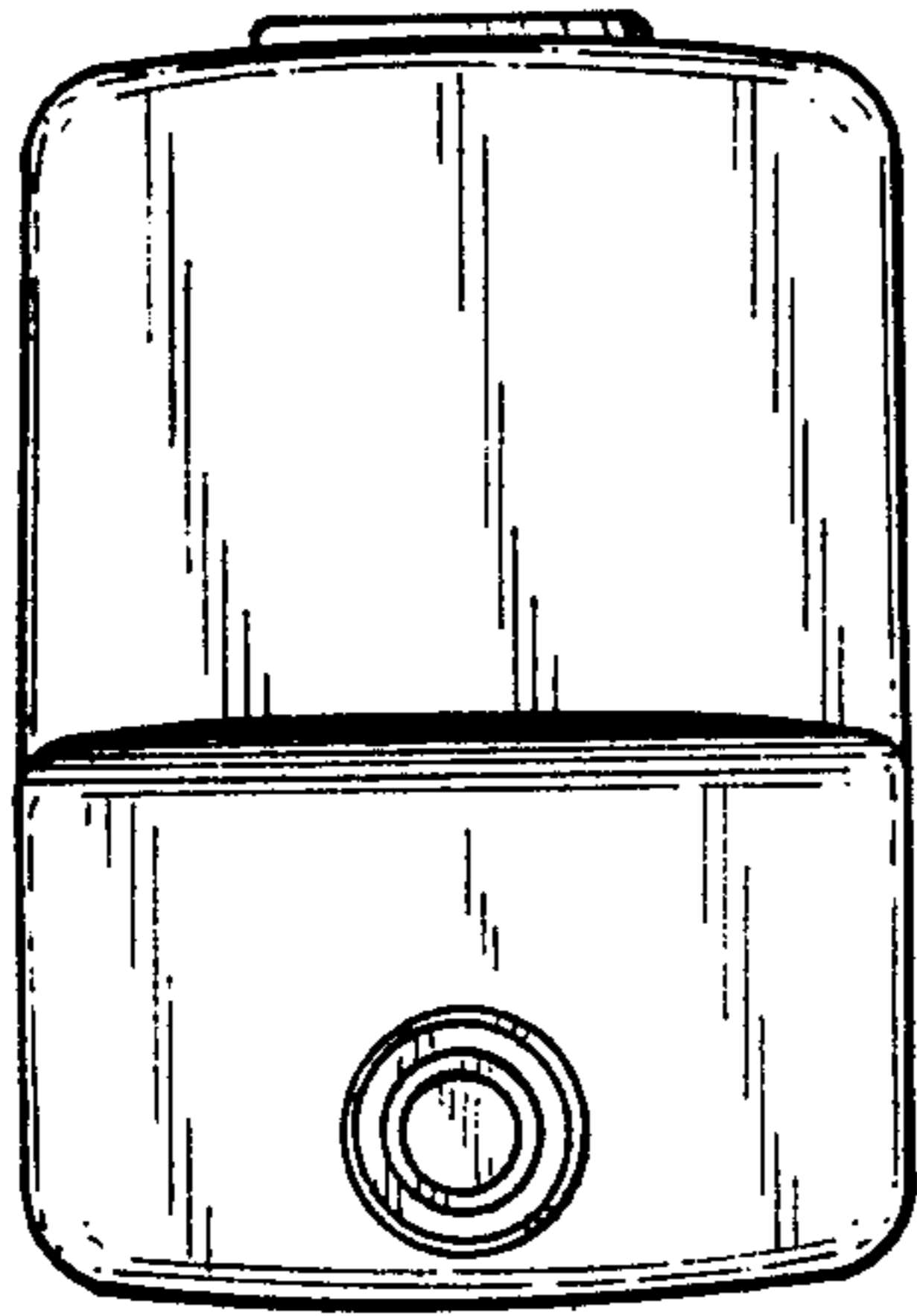


FIG. 4

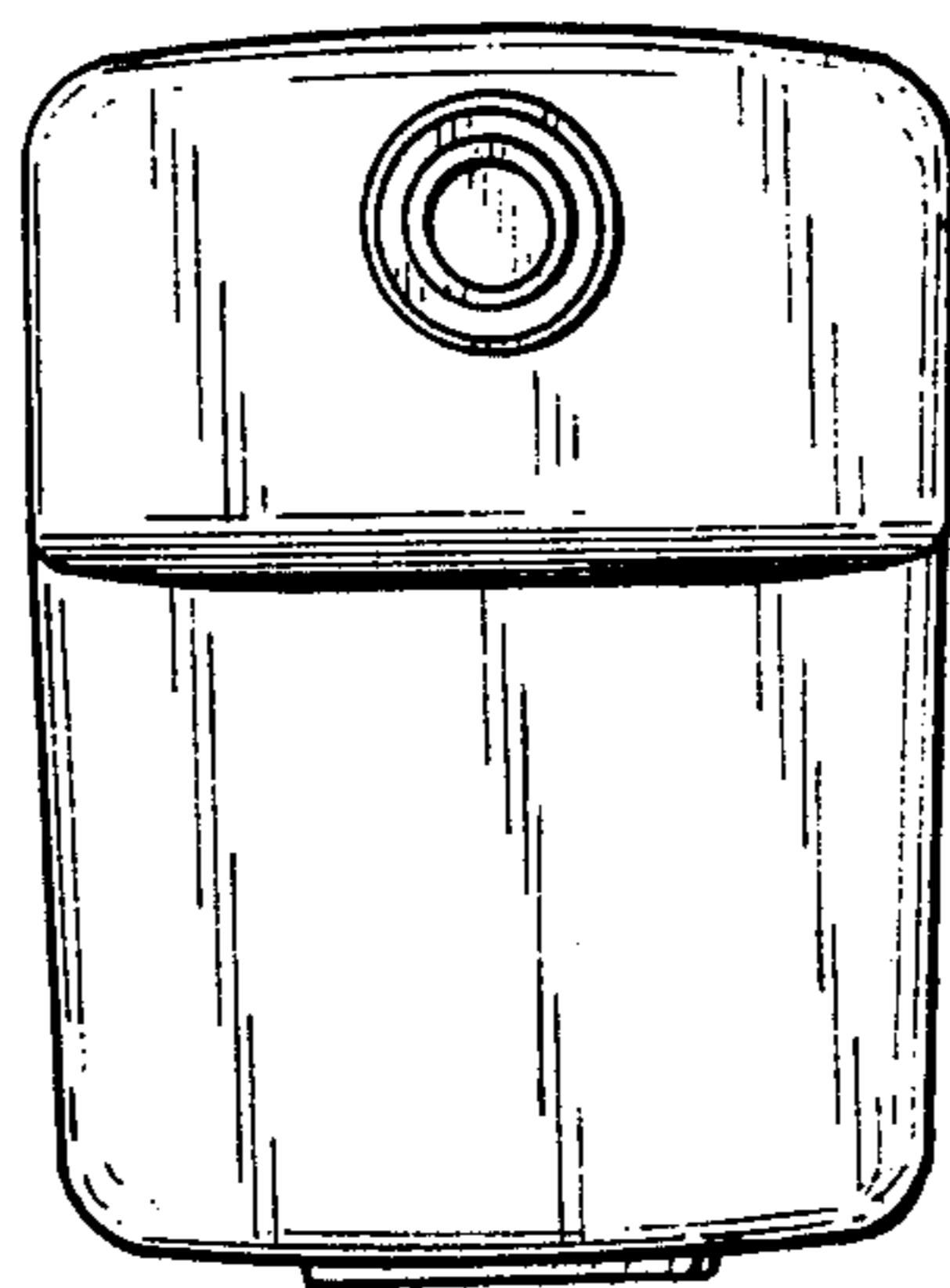


FIG. 5

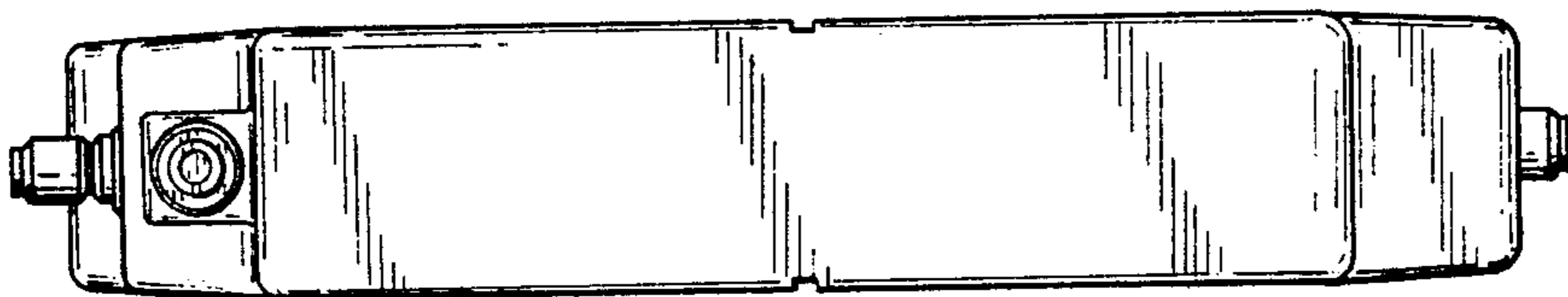


FIG. 6

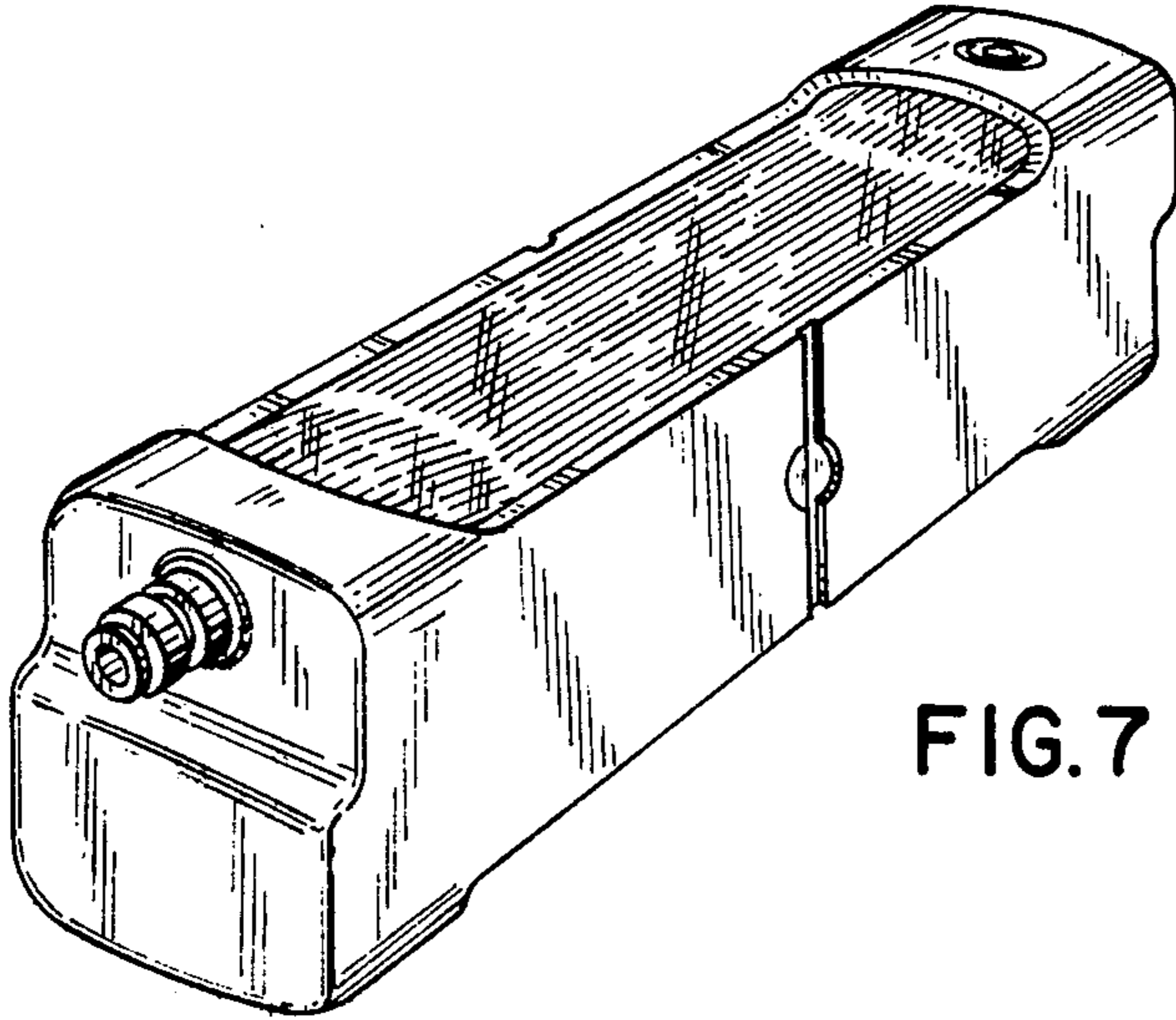


FIG. 7

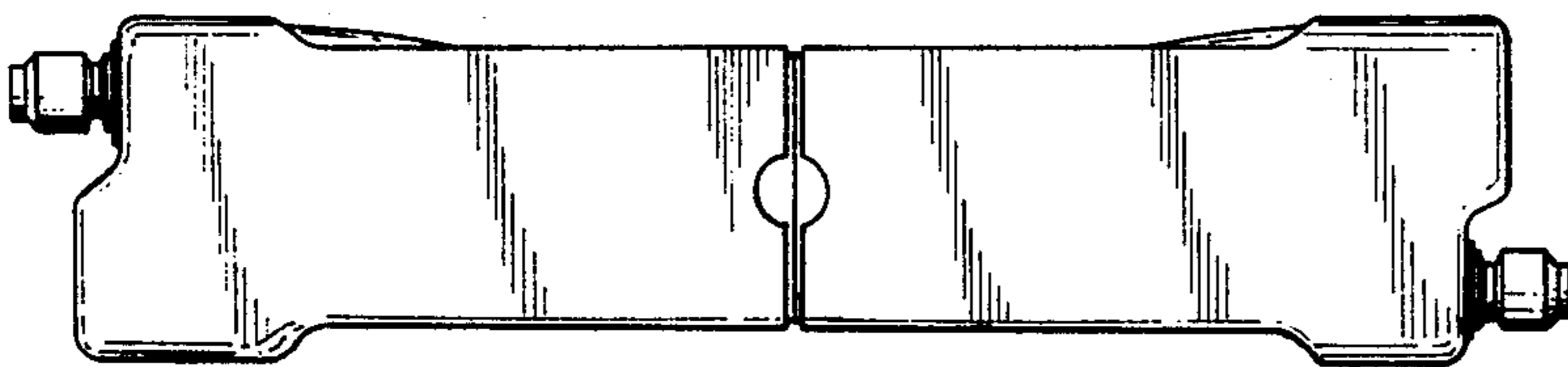


FIG. 8

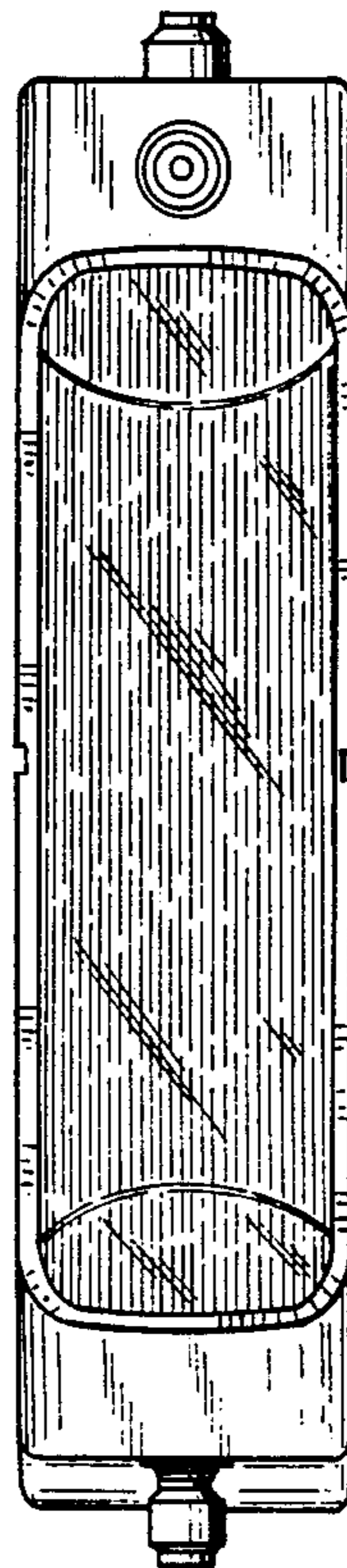


FIG. 9

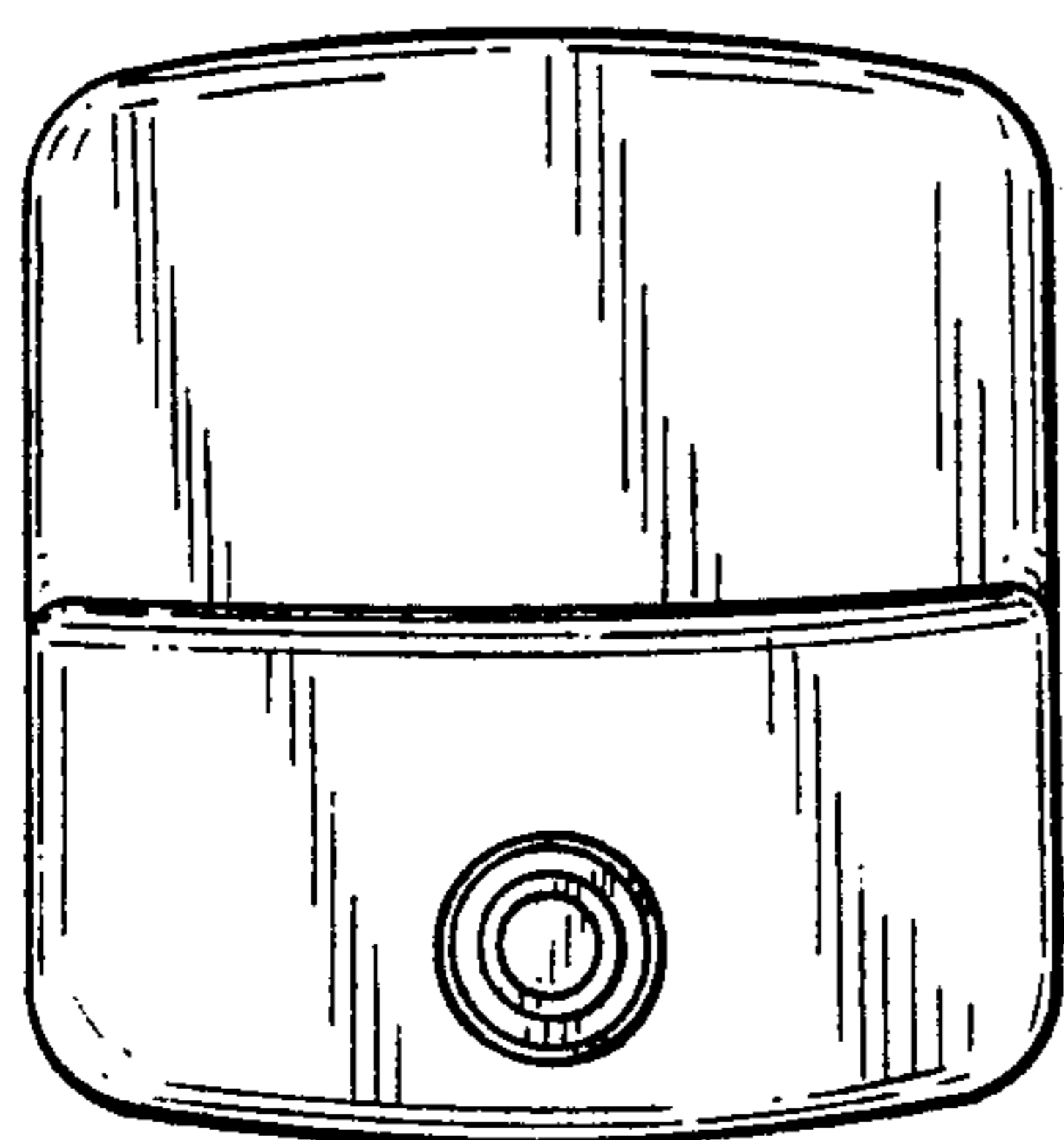


FIG. 10

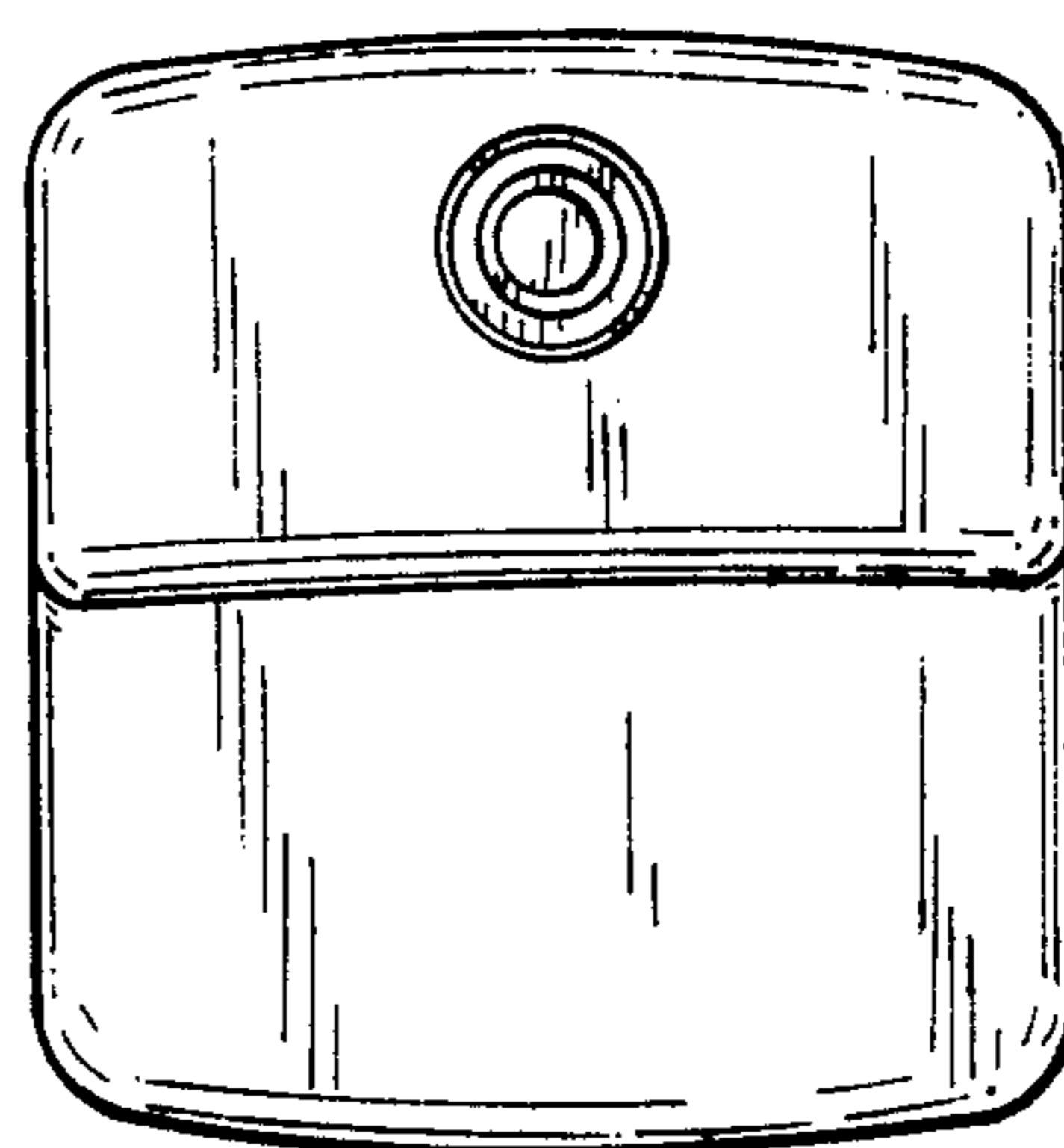


FIG. 11

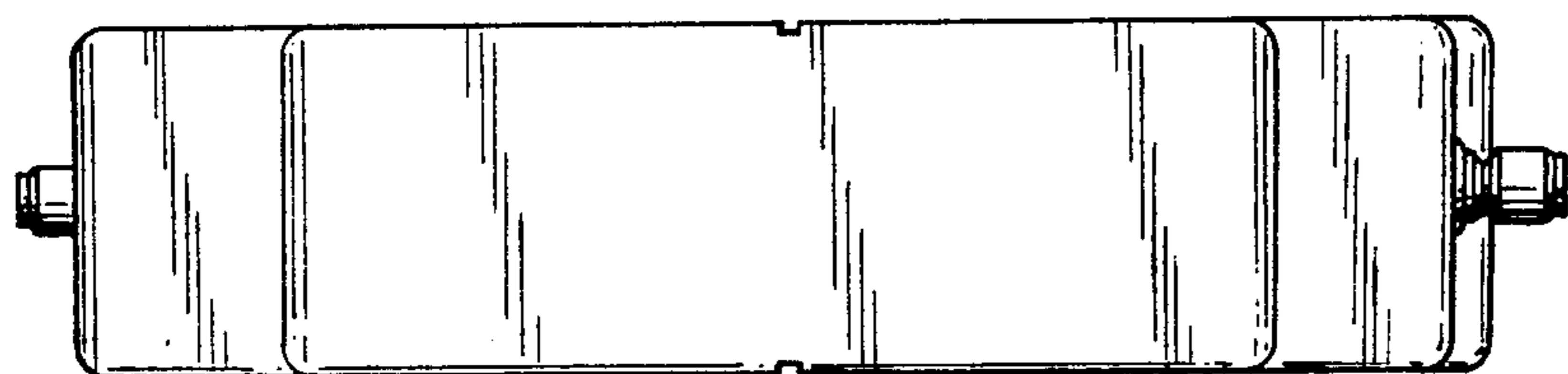


FIG. 12