

[54] COMBINED BATHTUB AND SHOWER
FIXTURE UNIT

D. 253,794 1/1980 Saporito et al. D23/25

[75] Inventors: Dominic A. Saporito, Fanwood;
Donald M. Genaro, Haworth, both of
N.J.

[73] Assignee: American Standard Inc., New York,
N.Y.

[**] Term: 14 Years

[21] Appl. No.: 58,632

[22] Filed: Jul. 18, 1979

Related U.S. Application Data

[62] Division of Ser. No. 761,157, Jan. 21, 1977.

[51] Int. Cl. D23-01

[52] U.S. Cl. D23/26

[58] Field of Search D23/23-33;
4/191, 192; 137/636.4, 801

References Cited

U.S. PATENT DOCUMENTS

D. 190,711 6/1961 Kohler D23/26
D. 237,613 11/1975 Saporito et al. D23/25

OTHER PUBLICATIONS

Domestic Engineering, Feb. 1957, p. 43.
Domestic Engineering, Sep. 1963, p. 23, top left item.
Montgomery Ward Fall & Winter Catalog 1975, p. 753,
item No. 3 & p. 758, item No. 5.
Kohler Co. Catalog K56, (c) 1958, inside front cover,
top left item.

Primary Examiner—James R. Largen
Attorney, Agent, or Firm—James J. Salerno, Jr.; Robert
G. Crooks

[57] CLAIM

The ornamental design for a combined bathtub and
shower fixture unit, substantially as shown and de-
scribed.

DESCRIPTION

FIG. 1 is a perspective view of a combination bath and
shower head embodying our new design.
FIG. 2 is a front elevational view thereof; and
FIG. 3 is an elevational view as seen from either side
thereof.
The broken line representation of a portion of a bath-
room wall in FIGS. 1 through 3 is for the purpose of
illustration only.

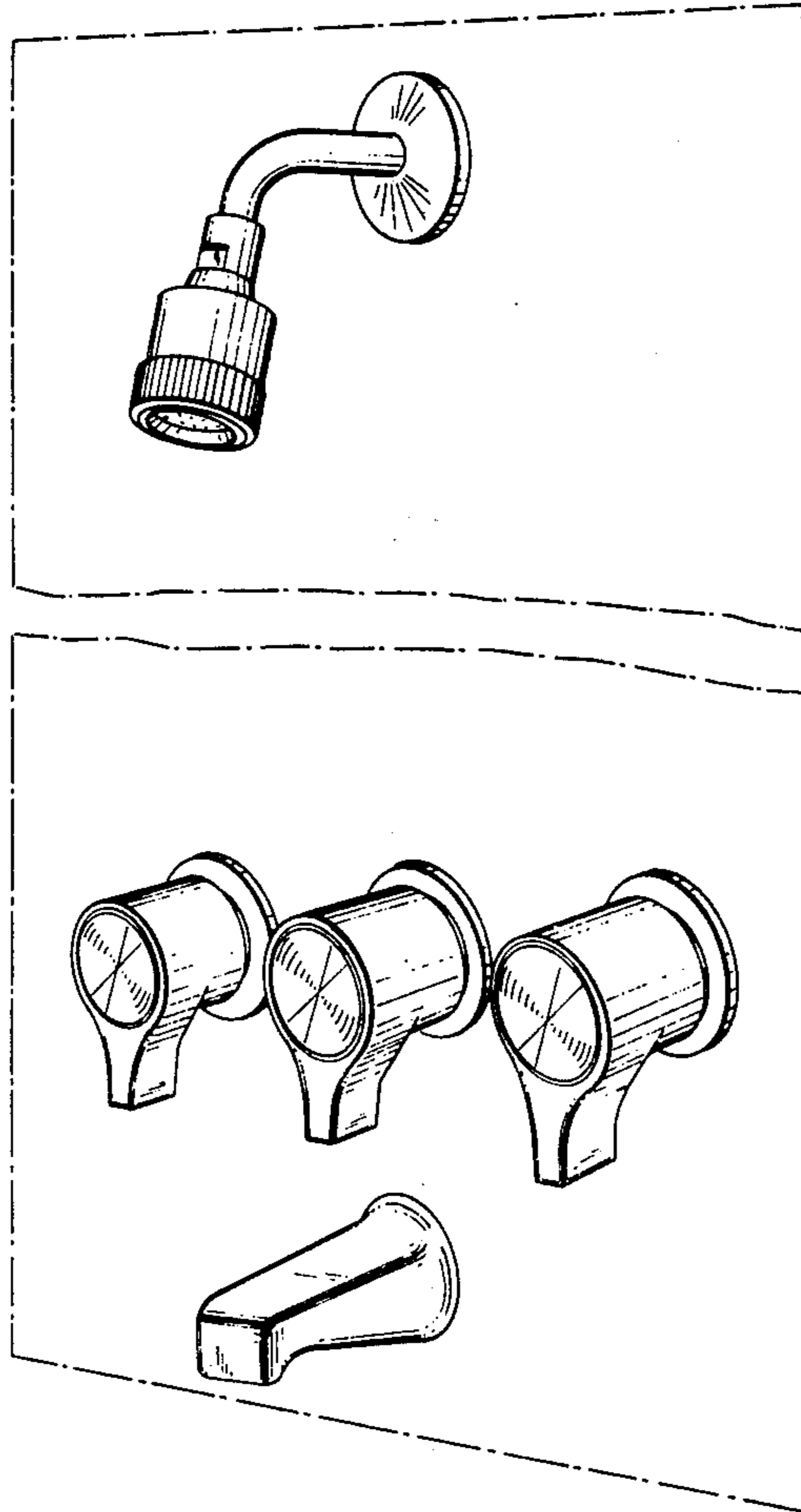


FIG. 1

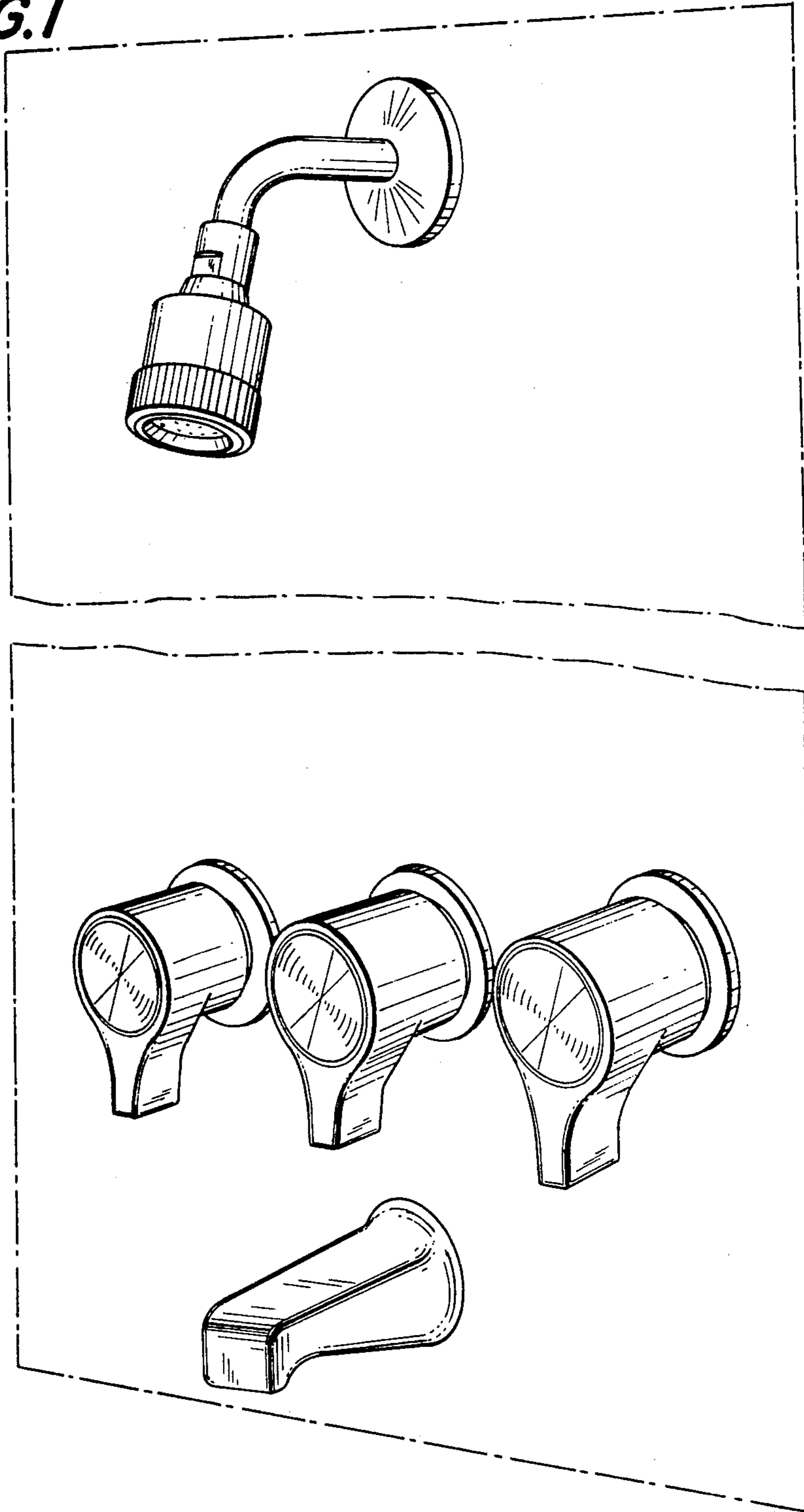


FIG. 2

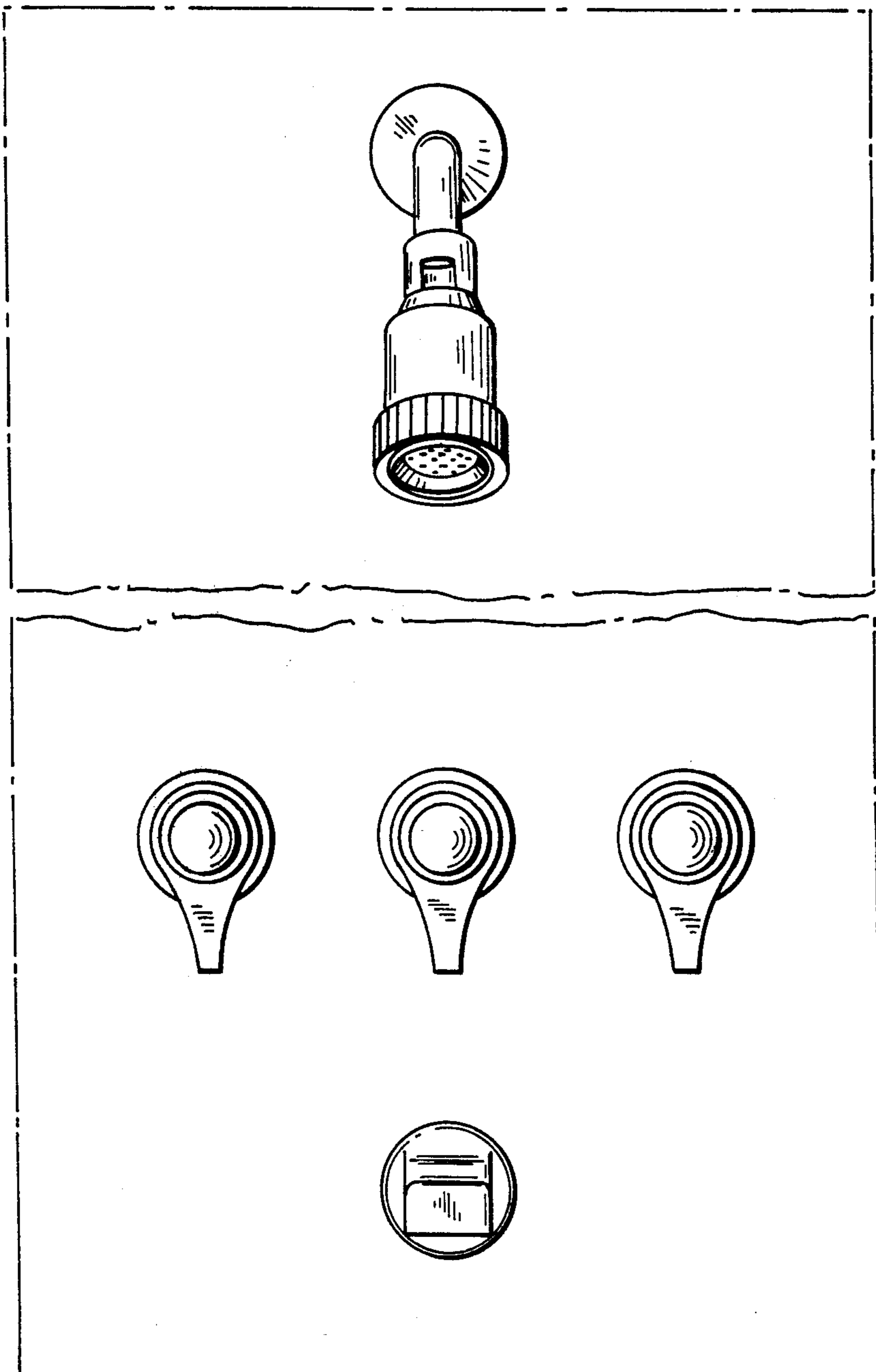


FIG. 3

