

[54] FAUCET UNIT

[75] Inventors: Dominic A. Saporito, Fanwood; Donald M. Genaro, Haworth, both of N.J.

[73] Assignee: American Standard Inc., New York, N.Y.

[**] Term: 14 Years

[21] Appl. No.: 58,631

[22] Filed: Jul. 18, 1979

Related U.S. Application Data

[62] Division of Ser. No. 761,157, Jan. 21, 1977.

[51] Int. Cl. D23-01

[52] U.S. Cl. D23/25

[58] Field of Search D23/23-33; 4/191, 192; 137/636.4, 801

[56] References Cited

U.S. PATENT DOCUMENTS

D. 190,711	6/1961	Kohler	D23/26
D. 237,613	11/1975	Saporito et al.	D23/25
D. 253,799	1/1980	Saporito et al.	D23/25

OTHER PUBLICATIONS

Kohler Co. Catalog K56, (c) 1958, inside front cover, bottom right item.

Montgomery Ward Fall & Winter Catalog 1975, p. 753, item No. 3 & p. 758, item No. 5.

Primary Examiner—James R. Largen

Attorney, Agent, or Firm—James J. Salerno, Jr.; Robert G. Crooks

[57] CLAIM

The ornamental design for a faucet unit, substantially as shown and described.

DESCRIPTION

FIG. 1 is a perspective view of a lavatory fitting embodying our new design.

FIG. 2 is an elevational view as seen from either side thereof;

FIG. 3 is a plan view as seen from the top thereof;

FIG. 4 is an elevational view as seen from the front thereof; and

FIG. 5 is a rear elevational view thereof as seen from either side thereof.

The broken line representation of a portion of a lavatory in FIGS. 1 through 5 is for the purpose of illustration only.

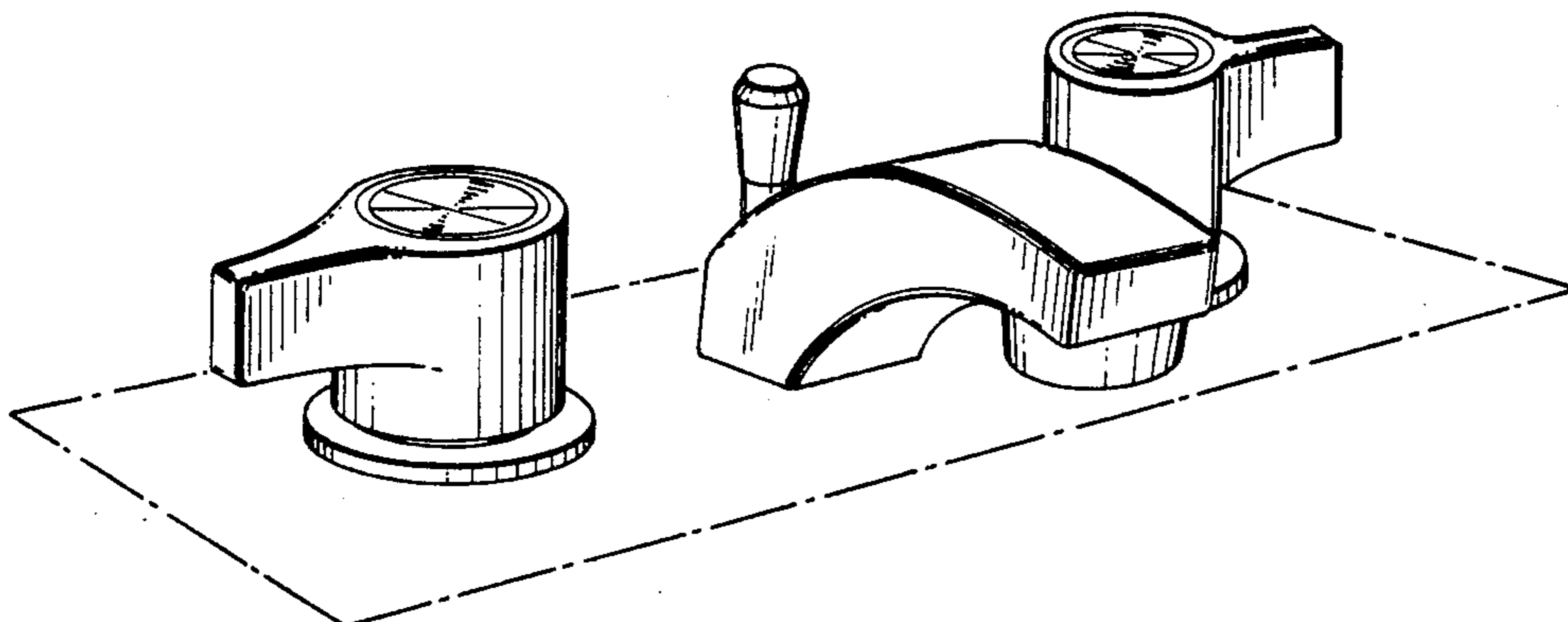


FIG. 1

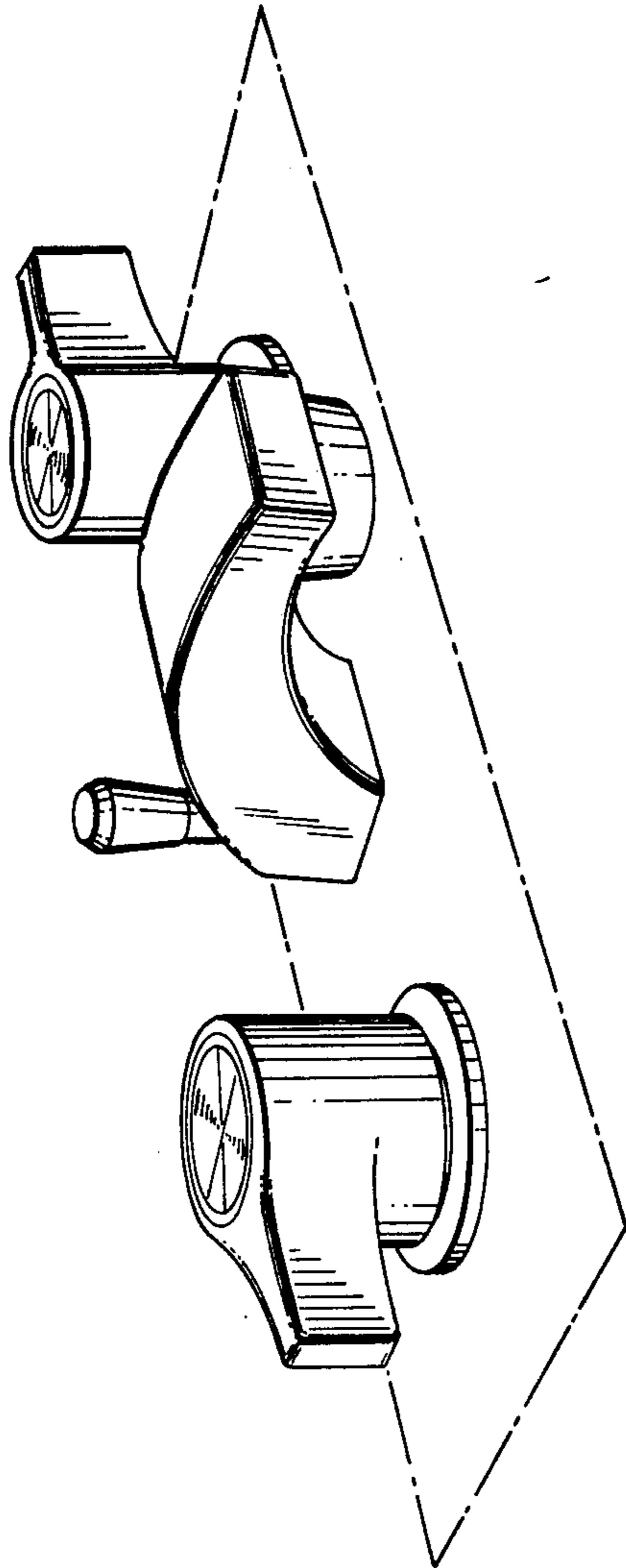


FIG. 2

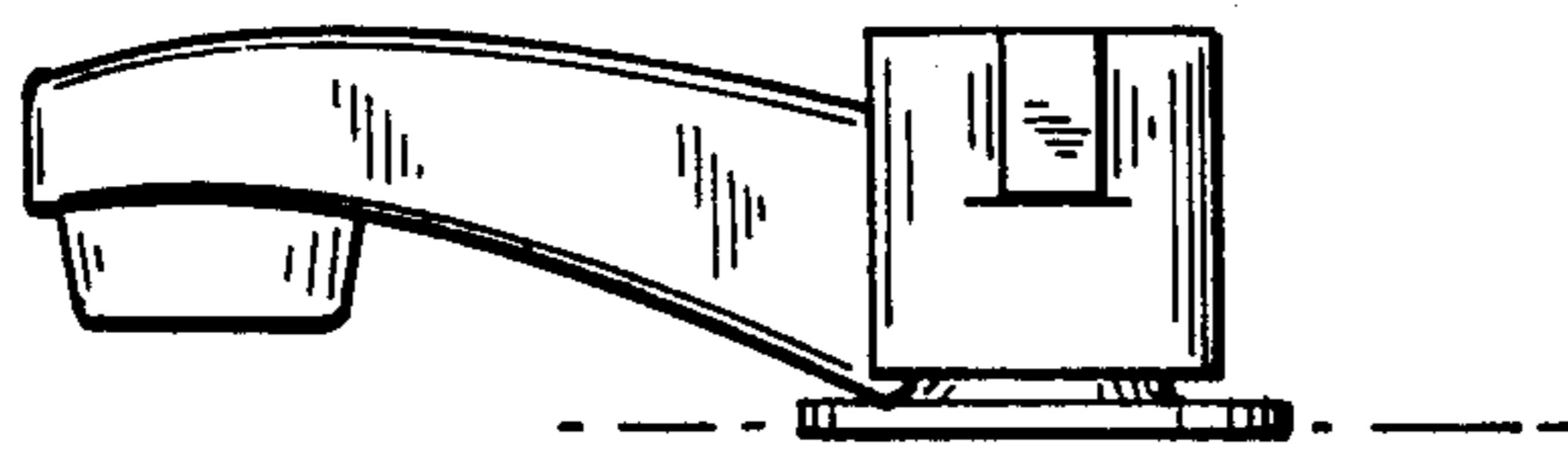


FIG. 3

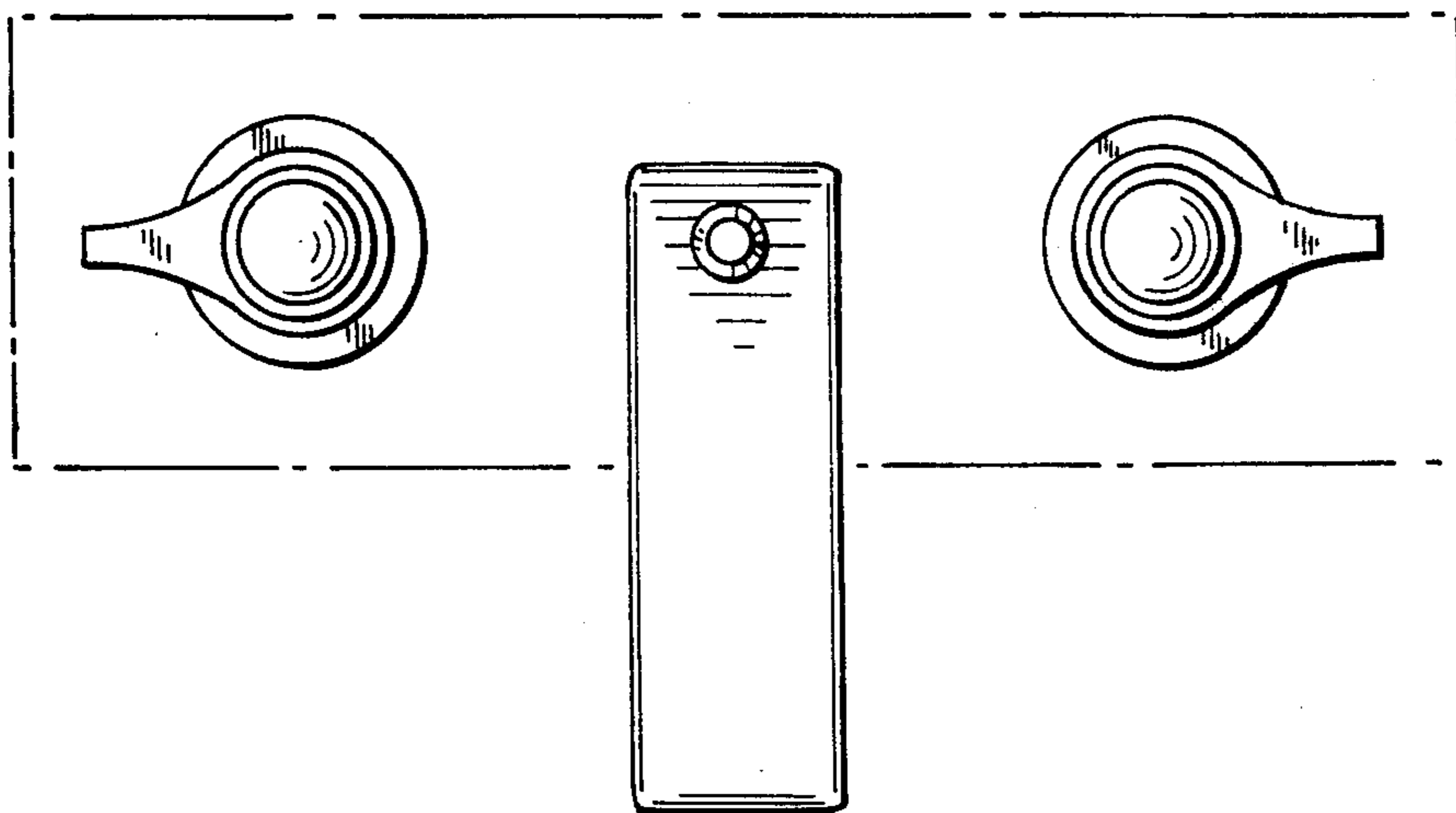


FIG. 4

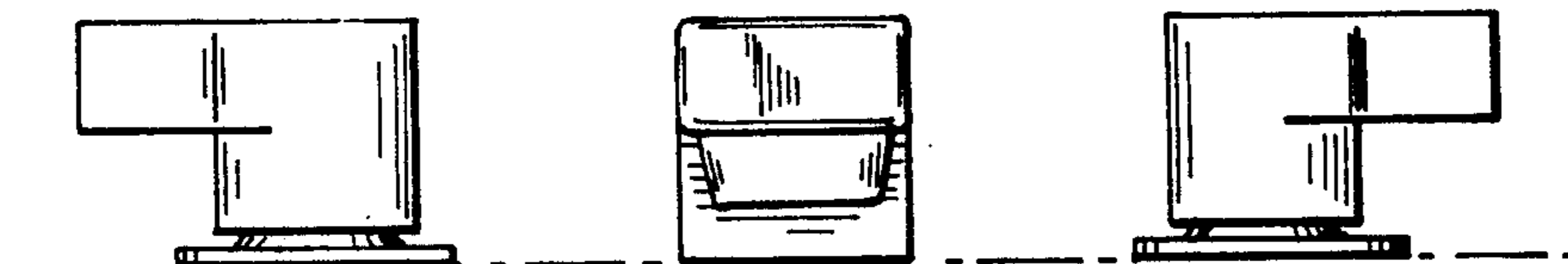


FIG. 5

