

[54] POINT-OF-SALE TERMINAL

[56]

References Cited

U.S. PATENT DOCUMENTS

[75] Inventors: Wayne L. Aderman; Mark C. Agnew; Frank Wilkey, Jr., all of Rochester, Minn.

D. 198,584	7/1964	Rindsfuessen	D18/4
D. 220,693	5/1971	Crease	D14/45
D. 220,694	5/1971	Crease	D14/45
D. 231,122	4/1974	Kaufman	D18/4
D. 233,062	10/1974	Maeda	D18/4

Primary Examiner—Nelson C. Holtje
Attorney, Agent, or Firm—J. Michael Anglin

[57]

CLAIM

The ornamental design for a point-of-sale terminal, as shown and described.

DESCRIPTION

FIG. 1 is a top and right front perspective view of a point-of-sale terminal showing our new design; FIG. 2 is a top and left front perspective view of another embodiment of our new design of FIG. 1, wherein a different keyboard is shown; FIG. 3 is a rear elevational view of both embodiments. The two embodiments are identical in all respects except for the variable keyboards.

[73] Assignee: International Business Machines Corporation, Armonk, N.Y.

[**] Term: 14 Years

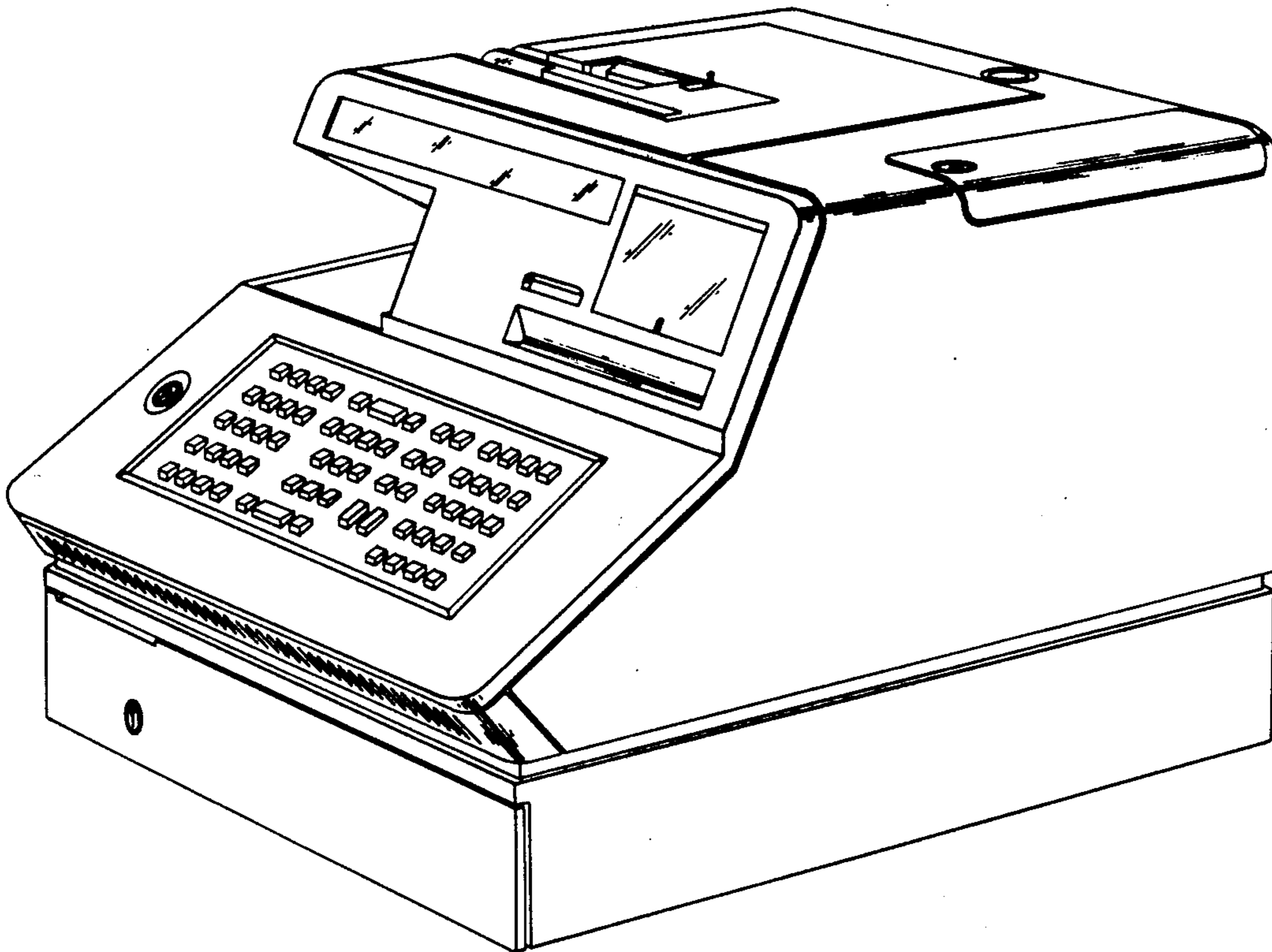
[21] Appl. No.: 947,124

[22] Filed: Sep. 29, 1978

[51] Int. Cl. D14—02; D18—01

[52] U.S. Cl. D18/4; D14/45

[58] Field of Search D18/4, 7, 11; D14/40, D14/42, 45, 50; 235/1 D, 1 E, 7 R



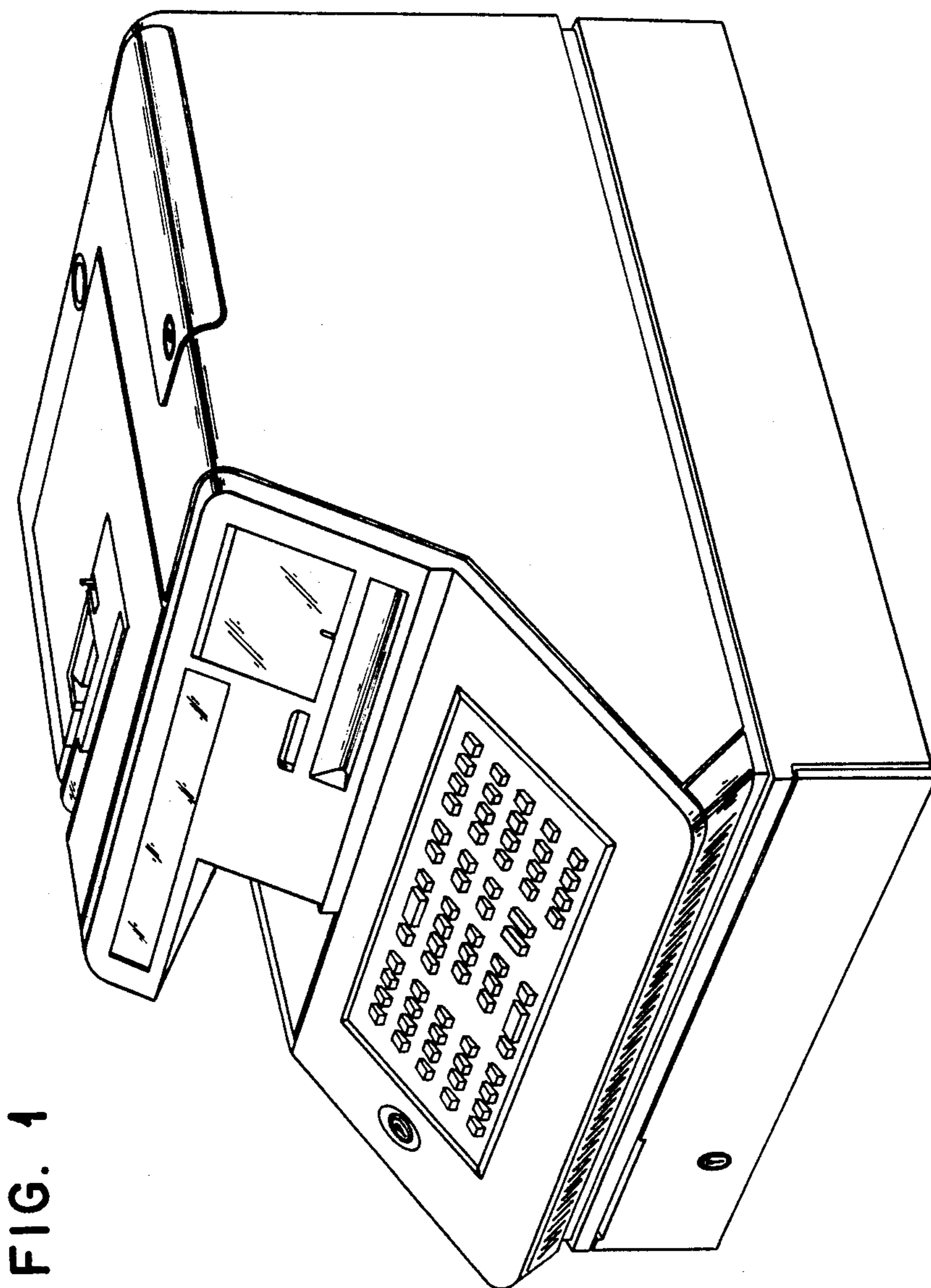


FIG. 1

FIG. 2

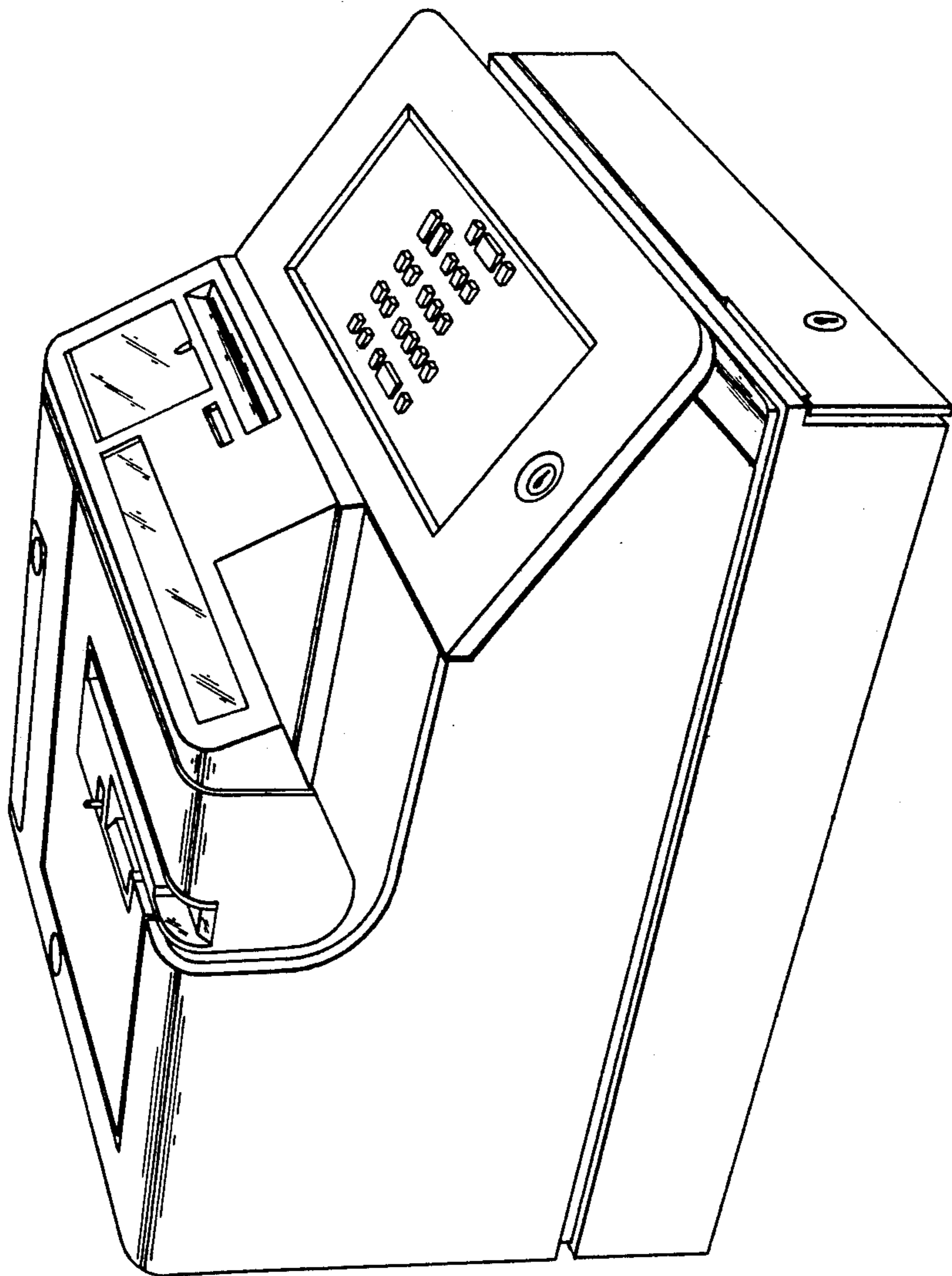


FIG. 3

