

[54] AGRICULTURAL TRACTOR

[75] Inventor: Genichi Funabashi, Sennan, Japan

[73] Assignee: Kubota, Ltd., Japan

[\*\*] Term: 14 Years

[21] Appl. No.: 44,017

[22] Filed: May 31, 1979

[30] Foreign Application Priority Data

Dec. 1, 1978 [JP] Japan ..... 53-51229

[51] Int. Cl. .... D15-03

[52] U.S. Cl. .... D15/23

[58] Field of Search ..... D15/23; 180/54 D, 89.1

[56] References Cited  
PUBLICATIONS

Implement & Tractor, 10/7/78, p. 9, Kubota M4000 Tractor, top right side of page.

Primary Examiner—James M. Gandy  
Attorney, Agent, or Firm—Kane, Dalsimer, Kane, Sullivan and Kurucz

[57] CLAIM

The ornamental design for an agricultural tractor, as shown and described.

DESCRIPTION

FIG. 1 is a side elevation view of an agricultural tractor showing my new design;

FIG. 2 is an elevation view of the opposite side thereof;

FIG. 3 is a top plan view thereof;

FIG. 4 is a front elevation view thereof; and

FIG. 5 is a rear elevation view thereof.

The broken lines in the drawing are for illustrative purposes only.

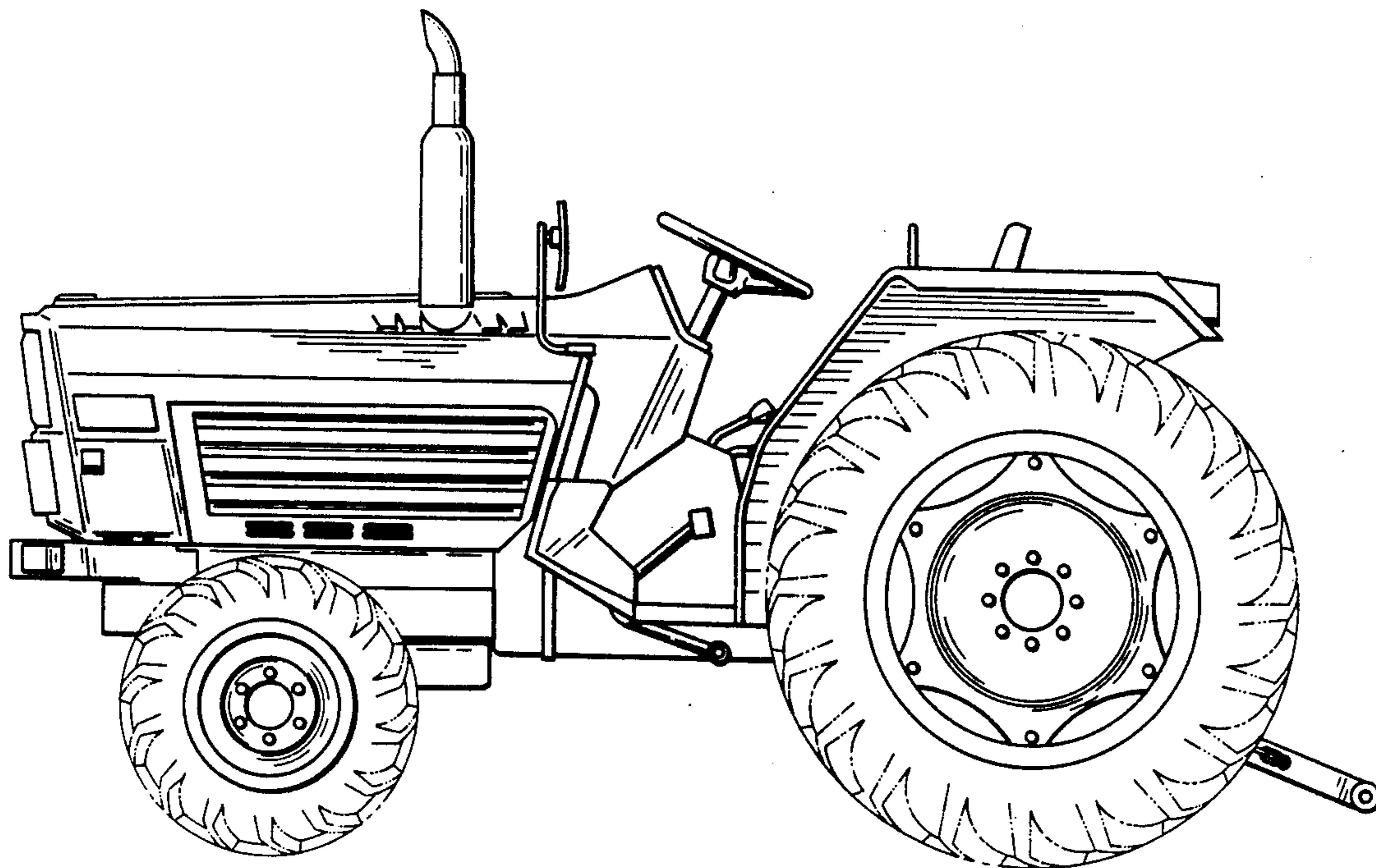


FIG. 1

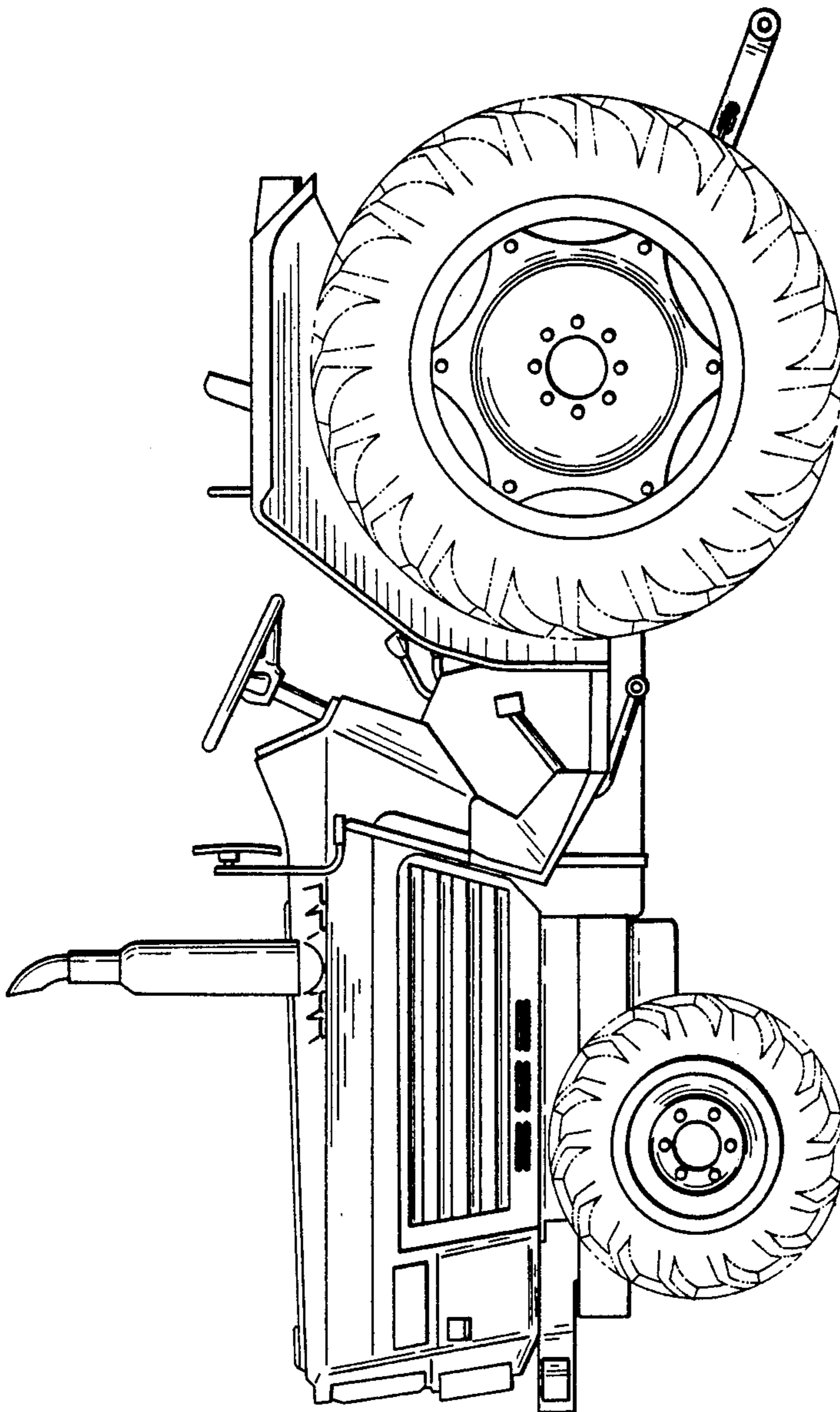


FIG. 2

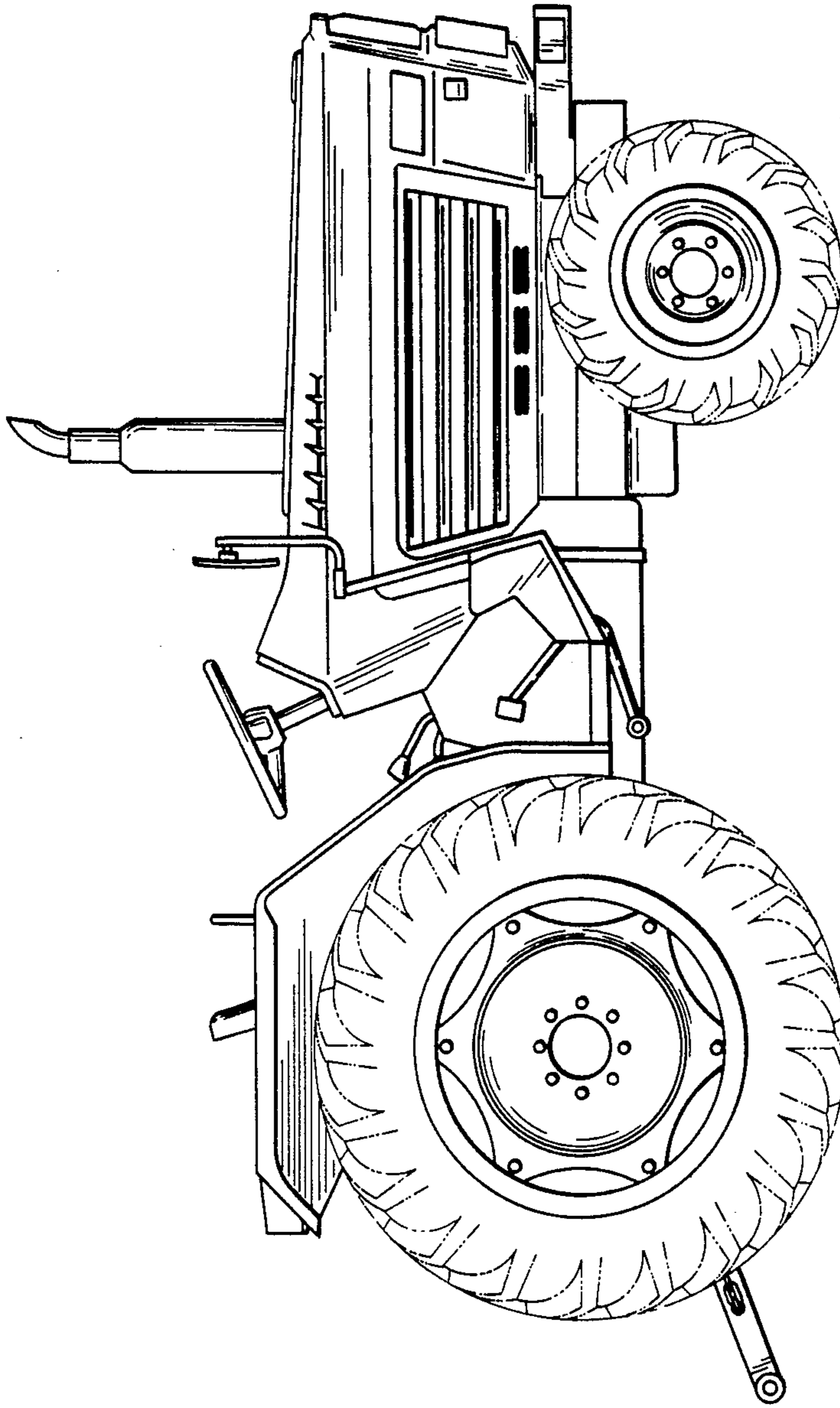


FIG. 3

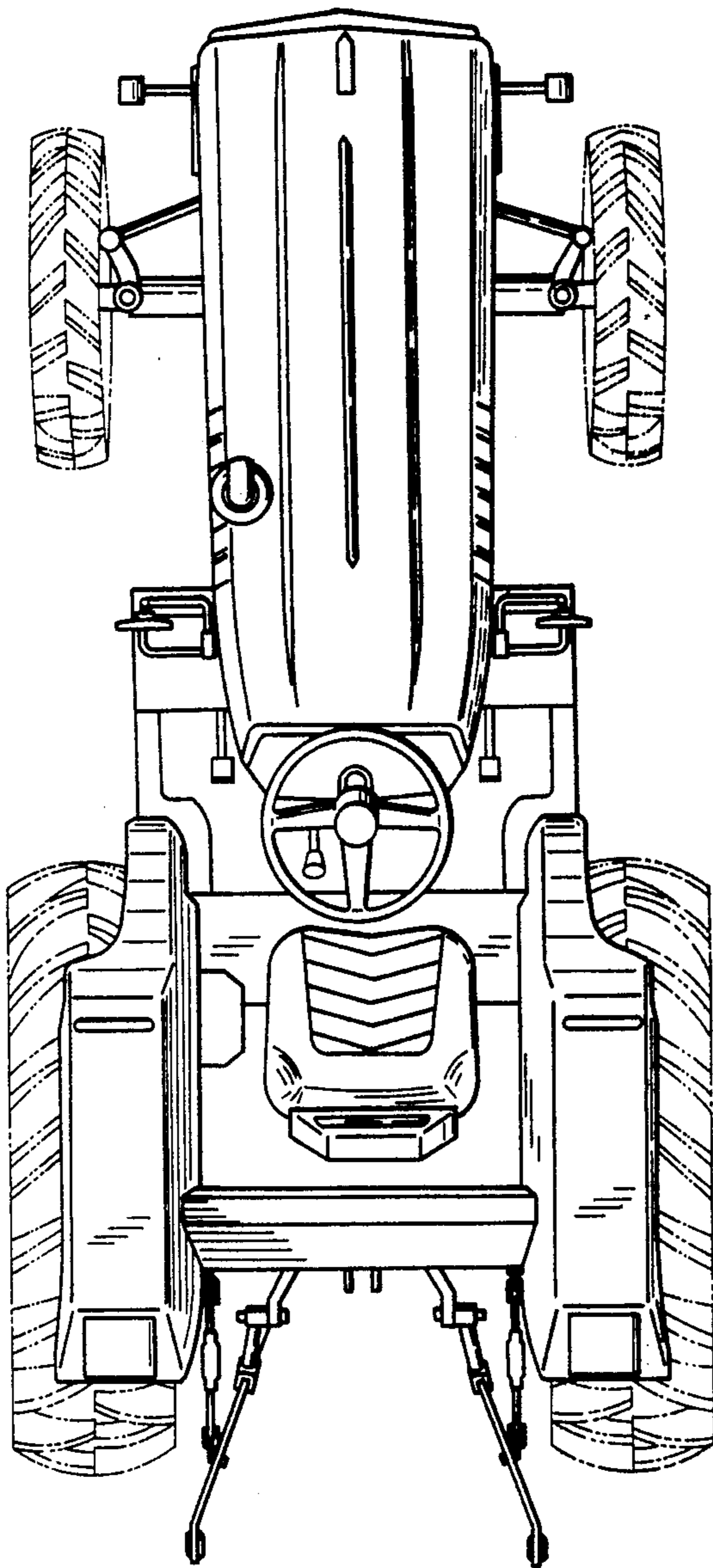


FIG. 4

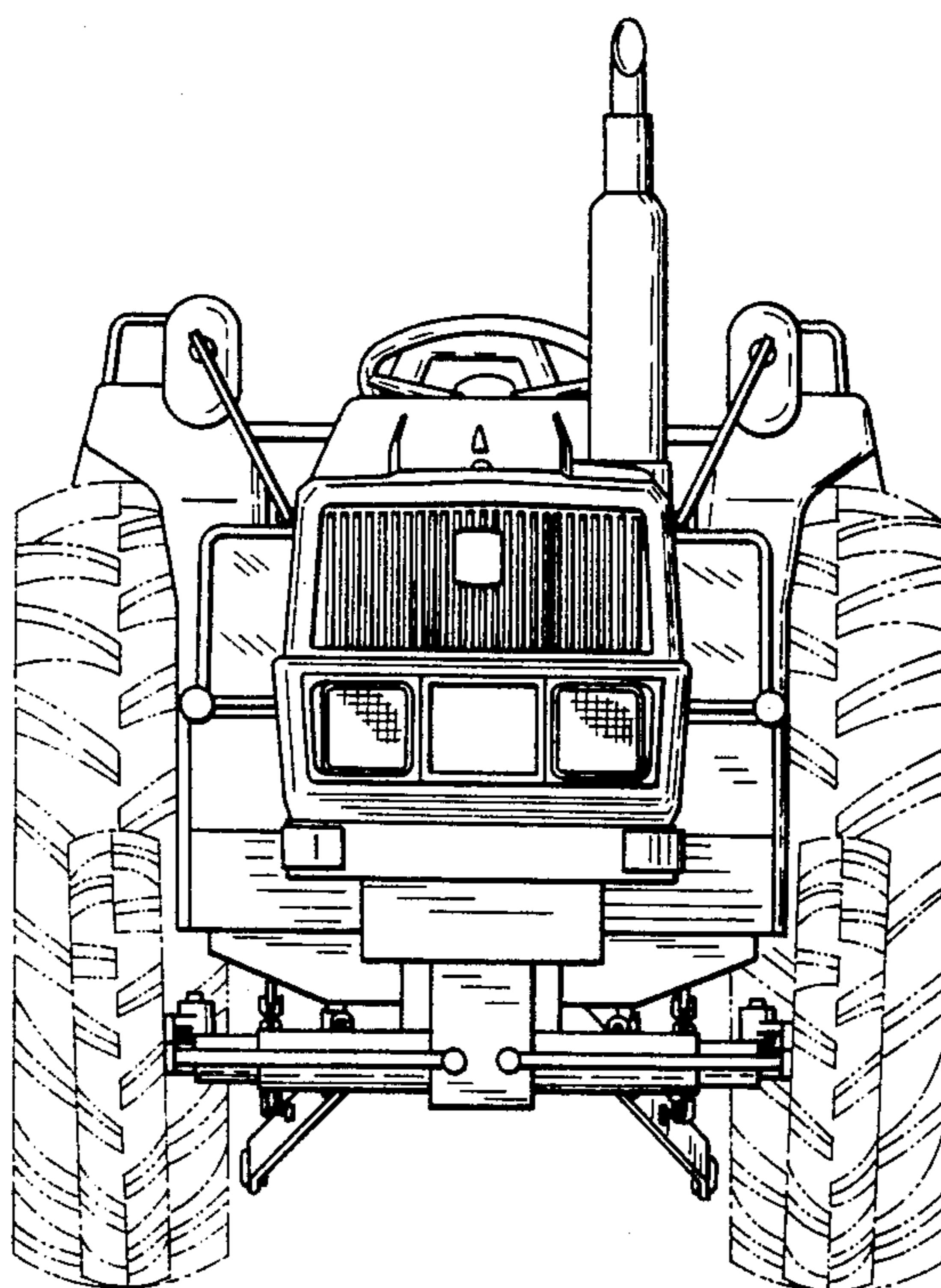


FIG. 5

