

[54] TRACTOR CAB

[76] Inventors: Robert A. Skyer, 1033 W. Mallard Dr., Palatine, Ill. 60067; George E. Bowman, 4631 W. 189th St., Country Club Hills, Ill. 60477

[\*\*] Term: 14 Years

[21] Appl. No.: 37,972

[22] Filed: May 11, 1979

[51] Int. Cl. .... D15-03  
[52] U.S. Cl. .... D15/30  
[58] Field of Search ..... D15/30; 296/190; 180/89.12

[56] References Cited  
U.S. PATENT DOCUMENTS

D. 245,698 9/1977 Skyer et al. .... D15/30

FOREIGN PATENT DOCUMENTS

1231519 5/1971 United Kingdom ..... 296/190

OTHER PUBLICATIONS

Agricultural Machinery Journal, 5/75, p. 64, Cab, top right side of page.

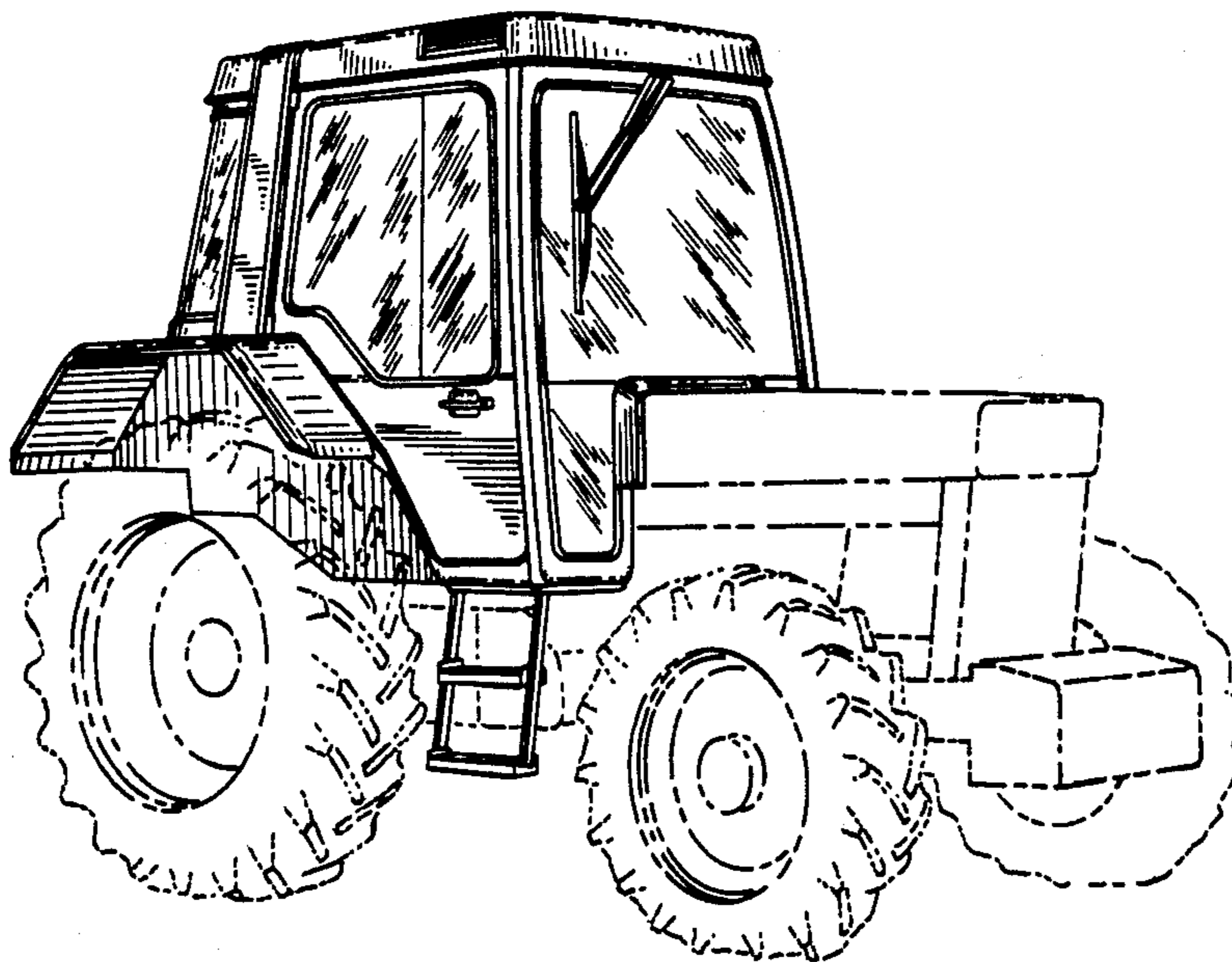
Primary Examiner—James M. Gandy  
Attorney, Agent, or Firm—F. David Au Buchon

[57] CLAIM

The ornamental design for a tractor cab, substantially as shown and described.

DESCRIPTION

FIG. 1 is a perspective view as seen from the right front of the tractor cab embodying the new design; FIG. 2 is a left side elevation view thereof; FIG. 3 is a front elevation view thereof; FIG. 4 is a right side elevation view thereof; FIG. 5 is a rear elevation view thereof; FIG. 6 is a top plan view thereof; FIG. 7 is a rear elevation view of a tractor cab showing a second embodiment of our new design, the sole difference being in the reduced width of the fenders; FIG. 8 is a right side elevation view of FIG. 7. The broken lines in the drawings are for illustrative purposes only.



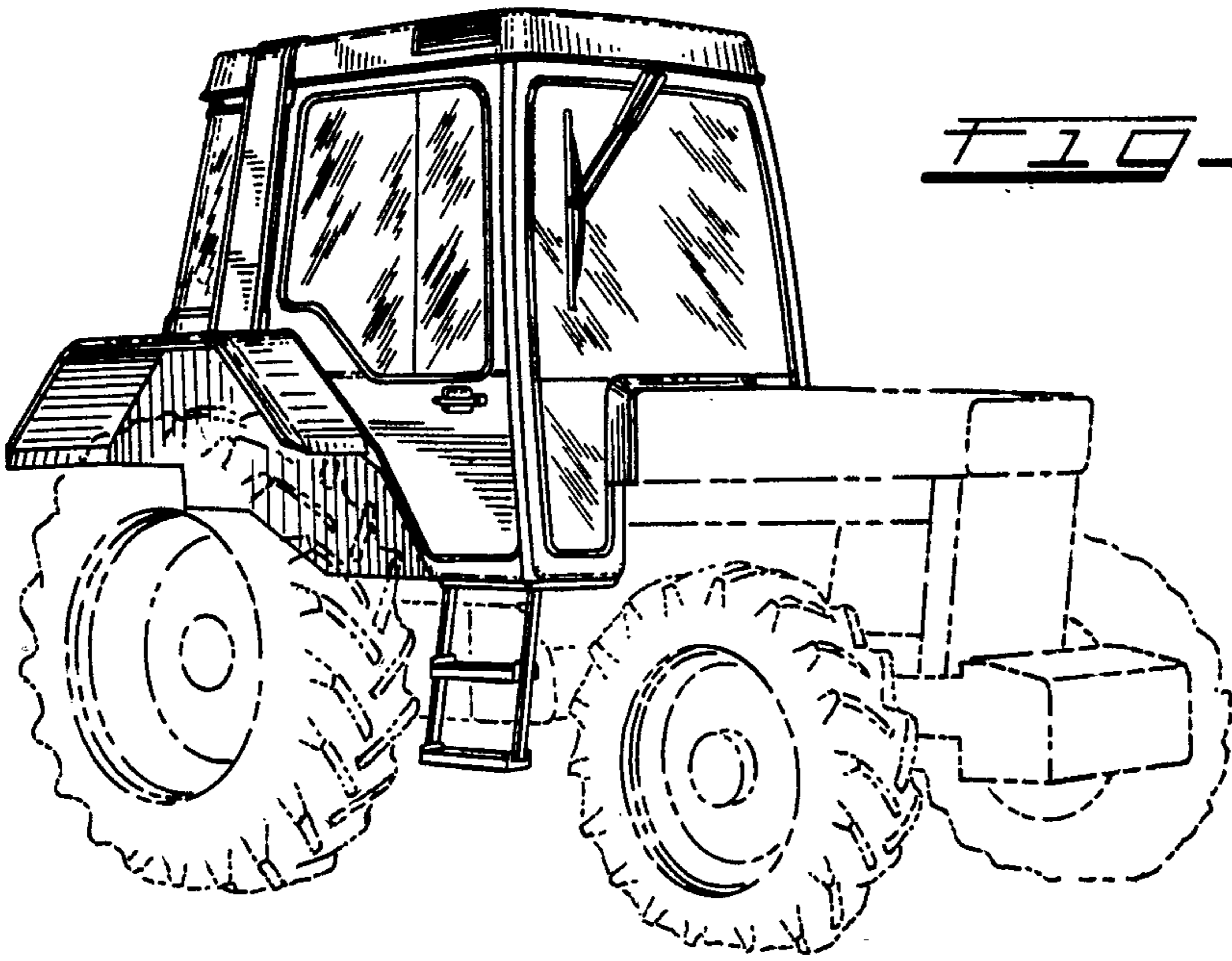


FIG. 1

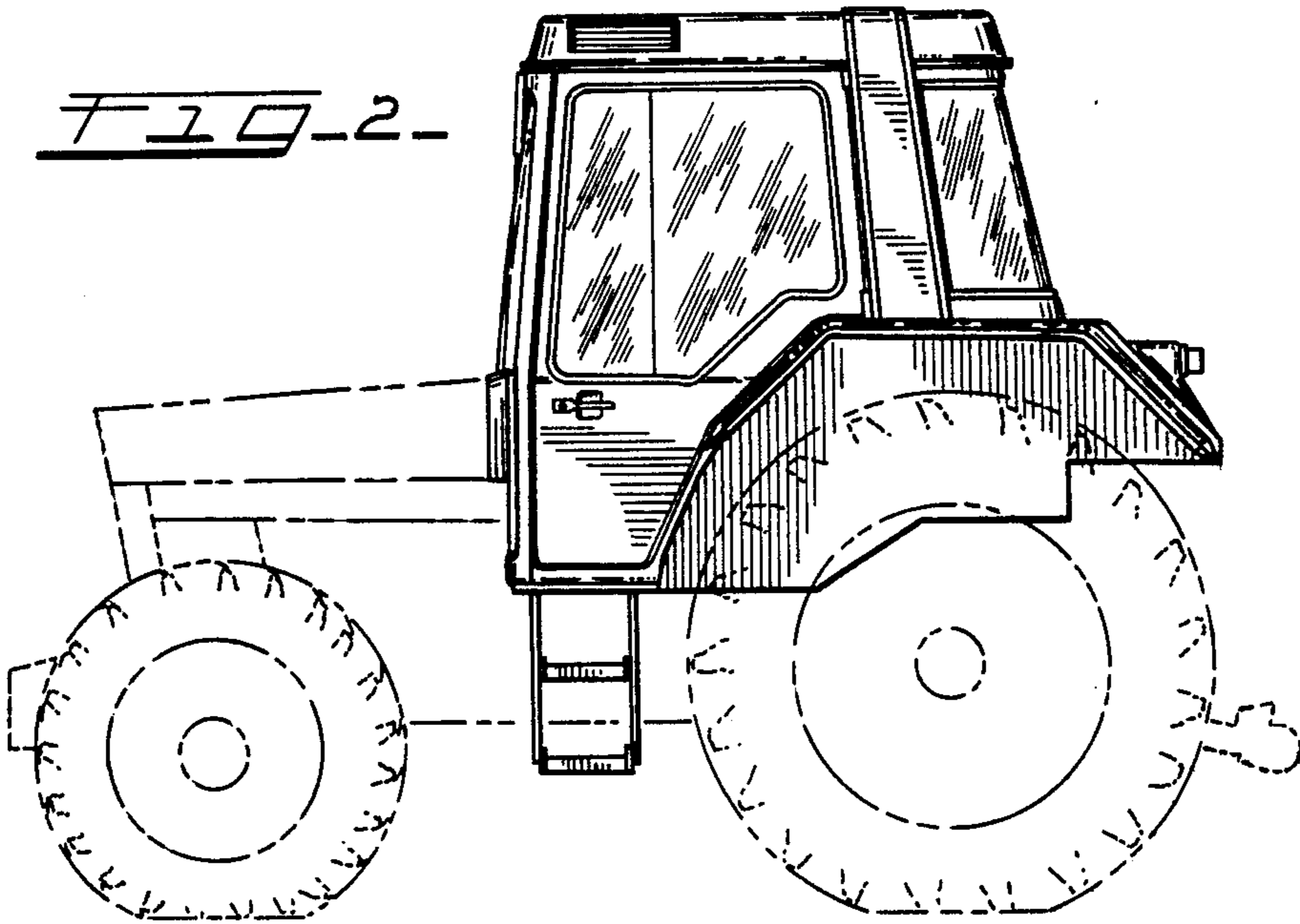


FIG. 2

FIG. 3.

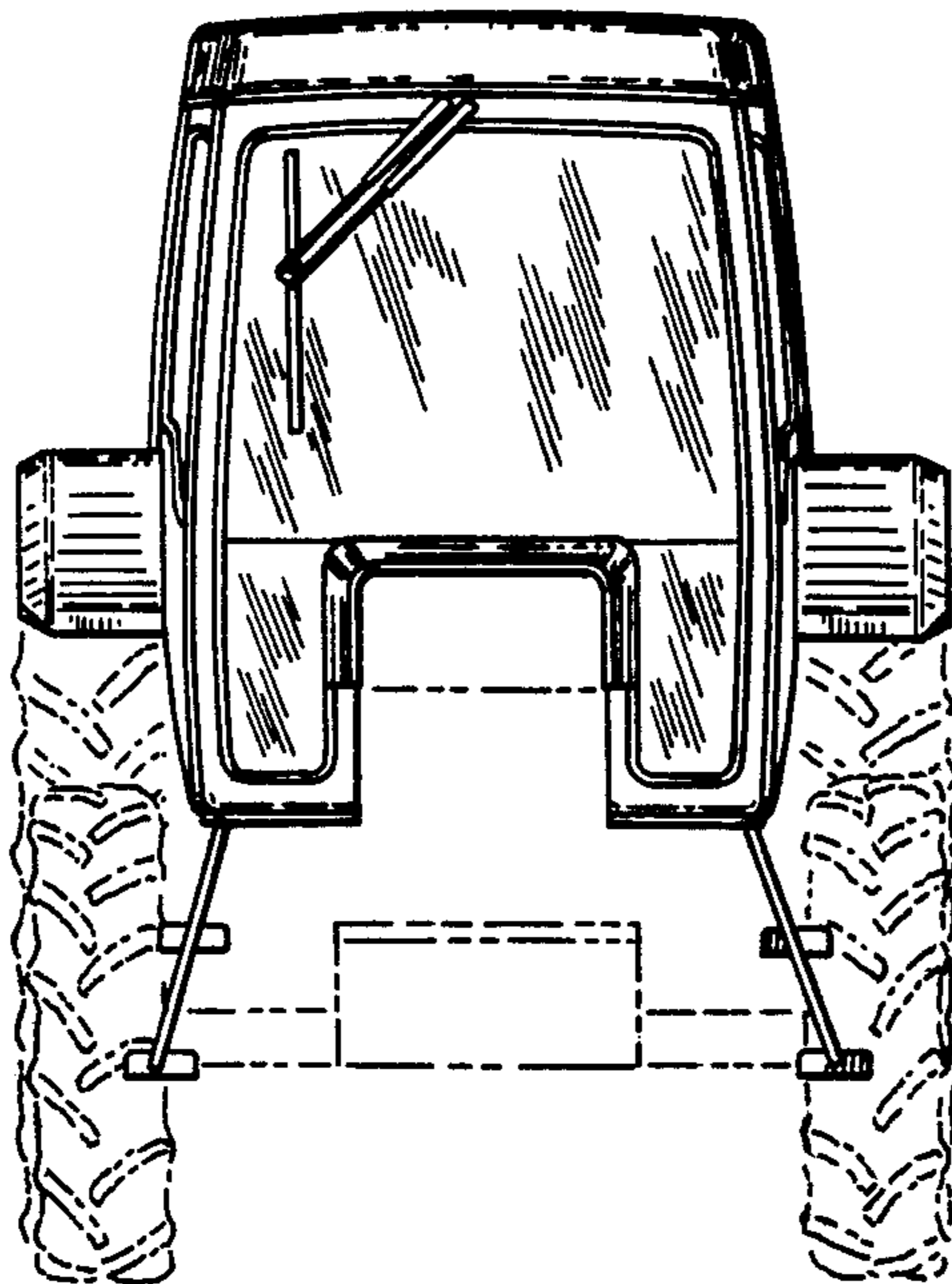


FIG. 4.

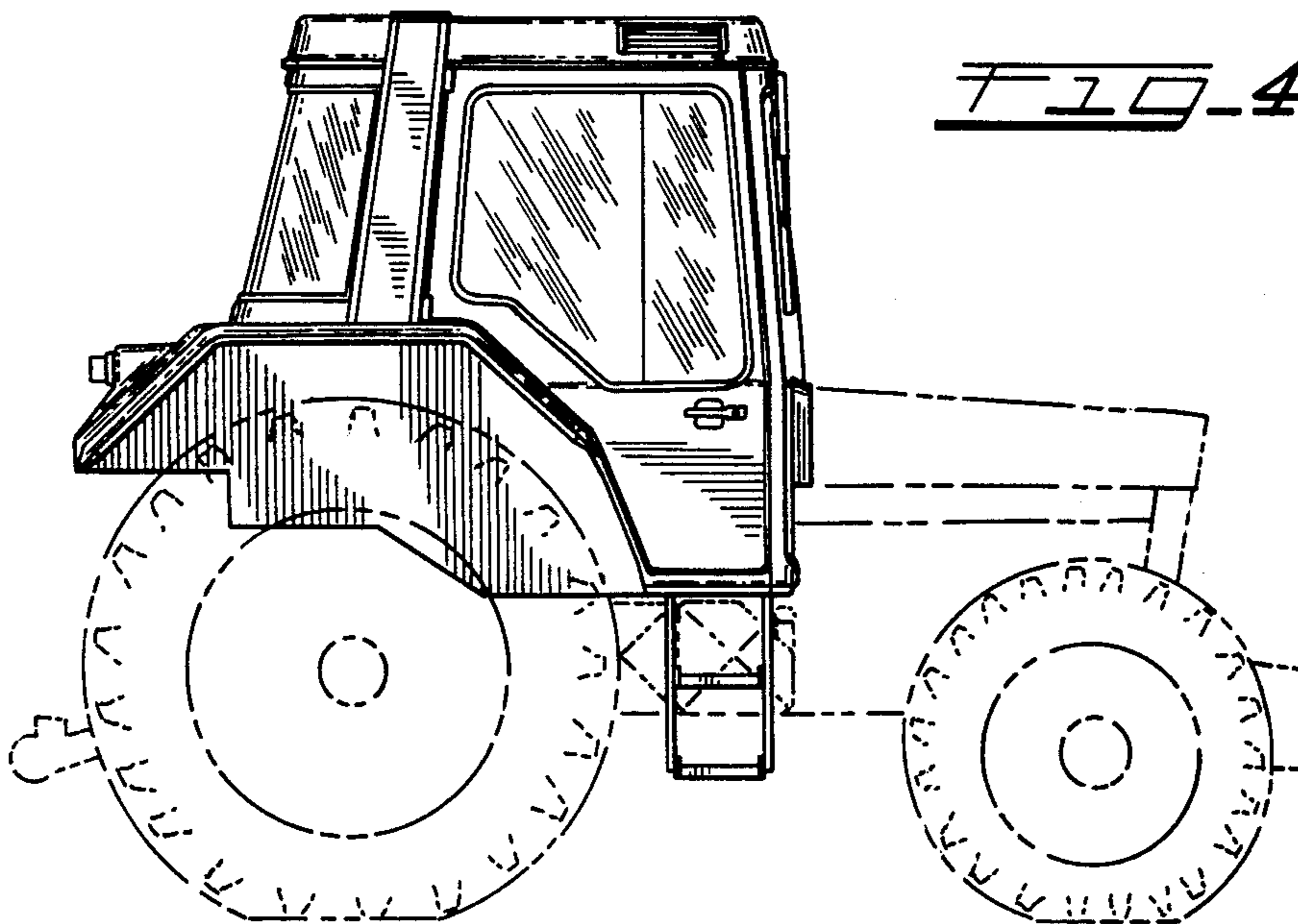


FIG. 5.

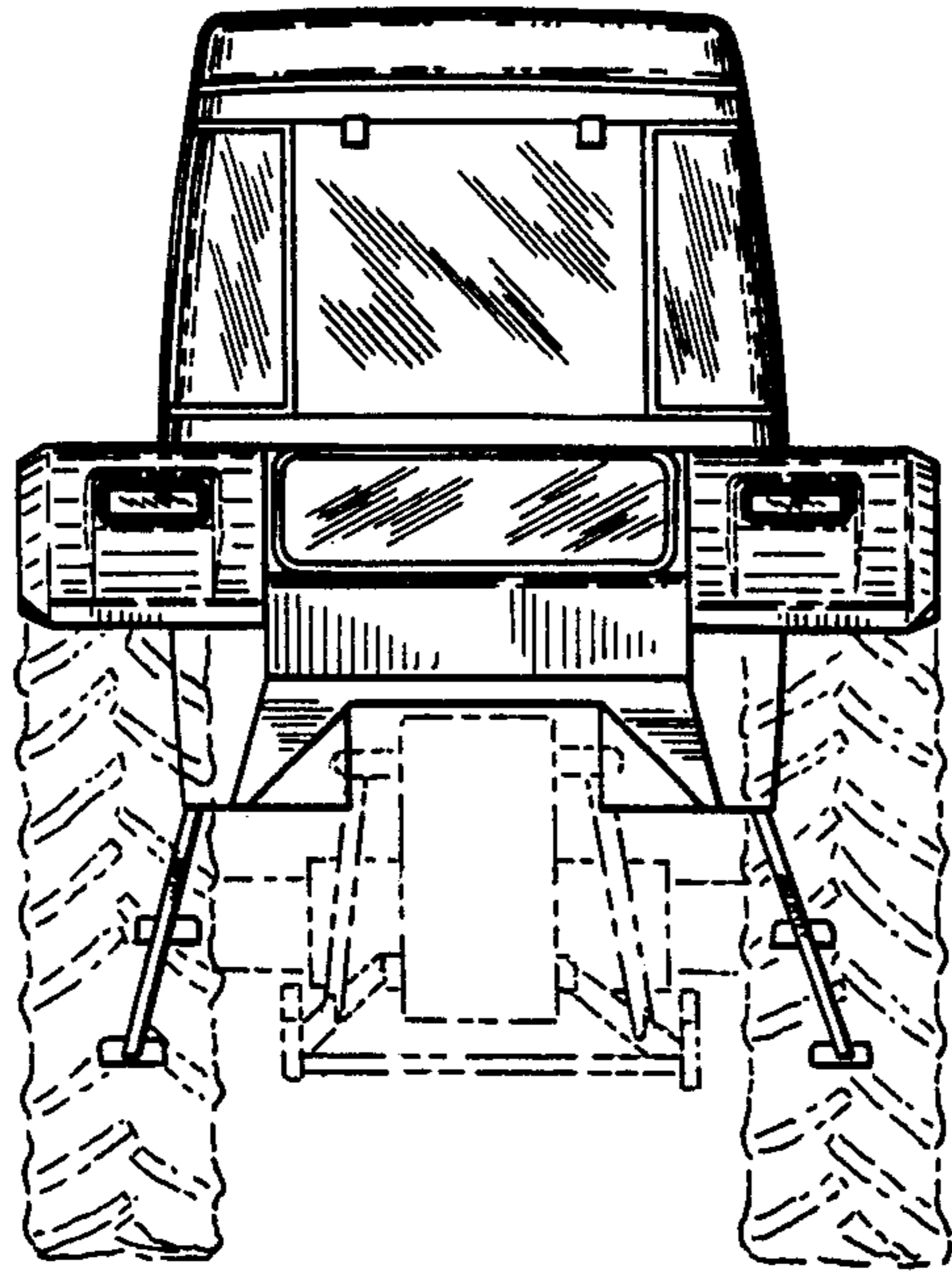


FIG. 6.

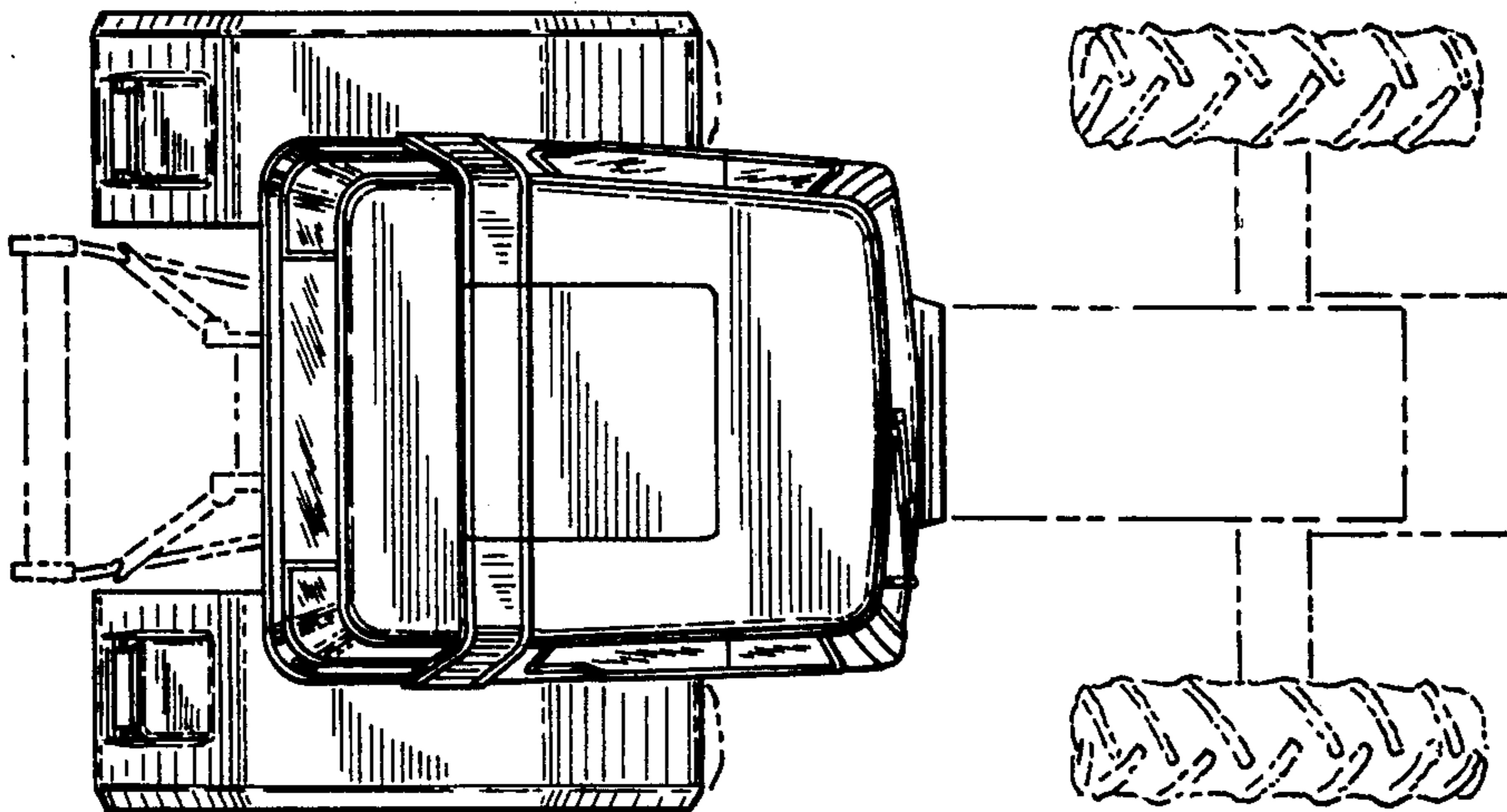


FIG. 7

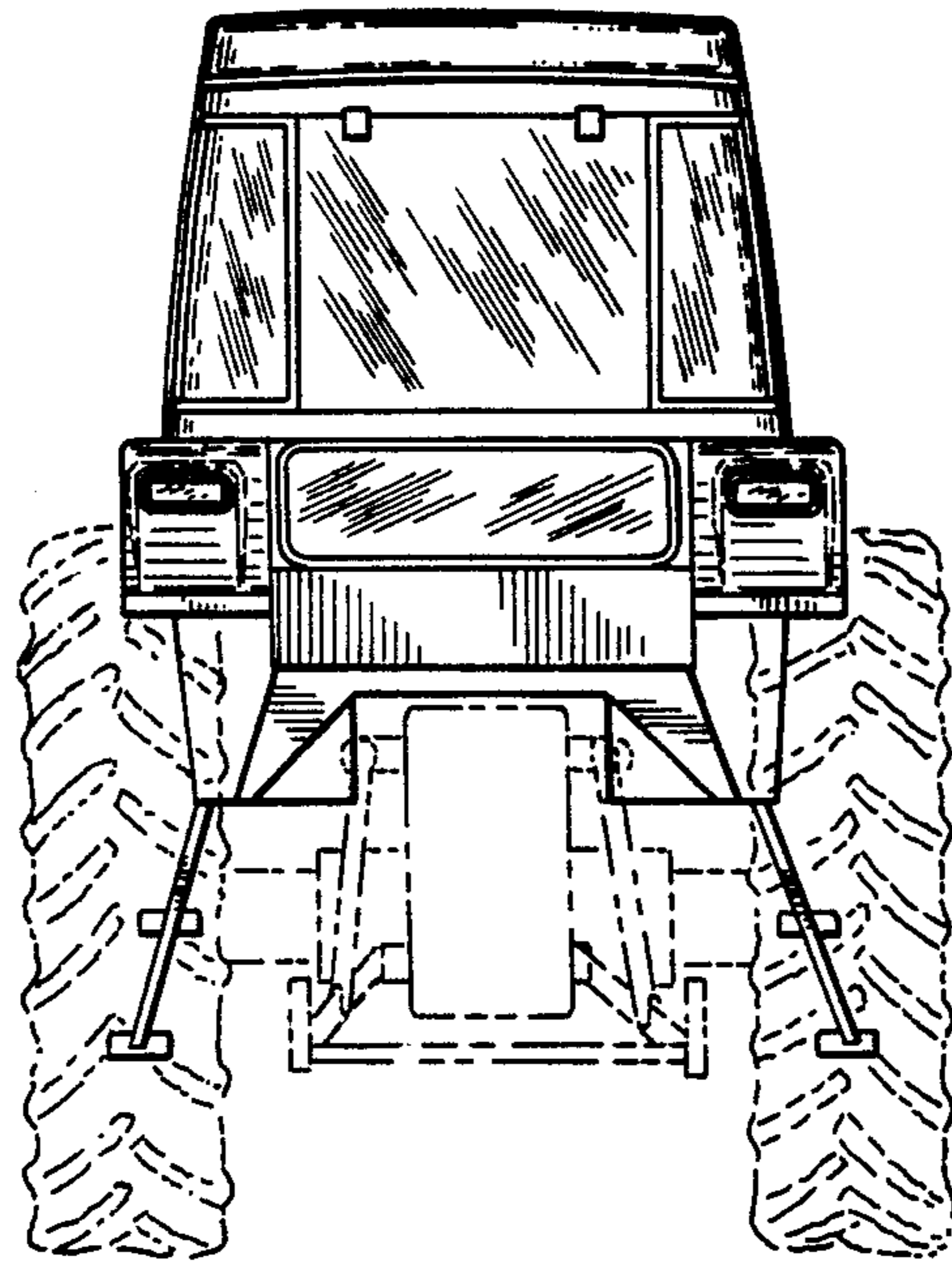


FIG. 8

