

[54] DIGITAL CLOCK RADIO

[75] Inventor: Masanori Hamada, Yao, Japan

[73] Assignee: Matsushita Electric Industrial Co., Ltd., Kadoma, Japan

[**] Term: 14 Years

[21] Appl. No.: 35,660

[22] Filed: May 3, 1979

Related U.S. Application Data

[63] Continuation-in-part of Ser. No. 781,805, Mar. 28, 1977.

Foreign Application Priority Data

[30] Dec. 9, 1976 [JP] Japan 51-48131

[51] Int. Cl. D14-03

[52] U.S. Cl. D14/73; D10/2; D10/15

[58] Field of Search D10/2, 15; D14/1, 2, D14/5-7, 10, 14, 17-25, 27, 30-34, 37-39, 68-84, 87, 94-96, 99

[56] References Cited

U.S. PATENT DOCUMENTS

| | | | |
|------------|---------|--------------------|----------|
| D. 241,771 | 10/1976 | Yamamura | D10/15 X |
| D. 243,036 | 1/1977 | Hamada | D14/73 |
| D. 245,909 | 9/1977 | Kawano | D14/73 |
| D. 250,762 | 1/1979 | Kawano | D14/73 |
| D. 251,428 | 3/1979 | Makino et al. | D14/73 |

Primary Examiner—Jane E. Corrigan
Attorney, Agent, or Firm—Richard C. Sughrue

[57] CLAIM

The ornamental design for a digital clock radio, as shown.

DESCRIPTION

FIG. 1 is a front, top and right side perspective view of a digital clock radio showing my new design; FIG. 2 is a rear, bottom and left side perspective view; FIG. 3 is a front elevational view; FIG. 4 is a top plan view; FIG. 5 is a left side elevational view; and FIG. 6 is a right side elevational view thereof.

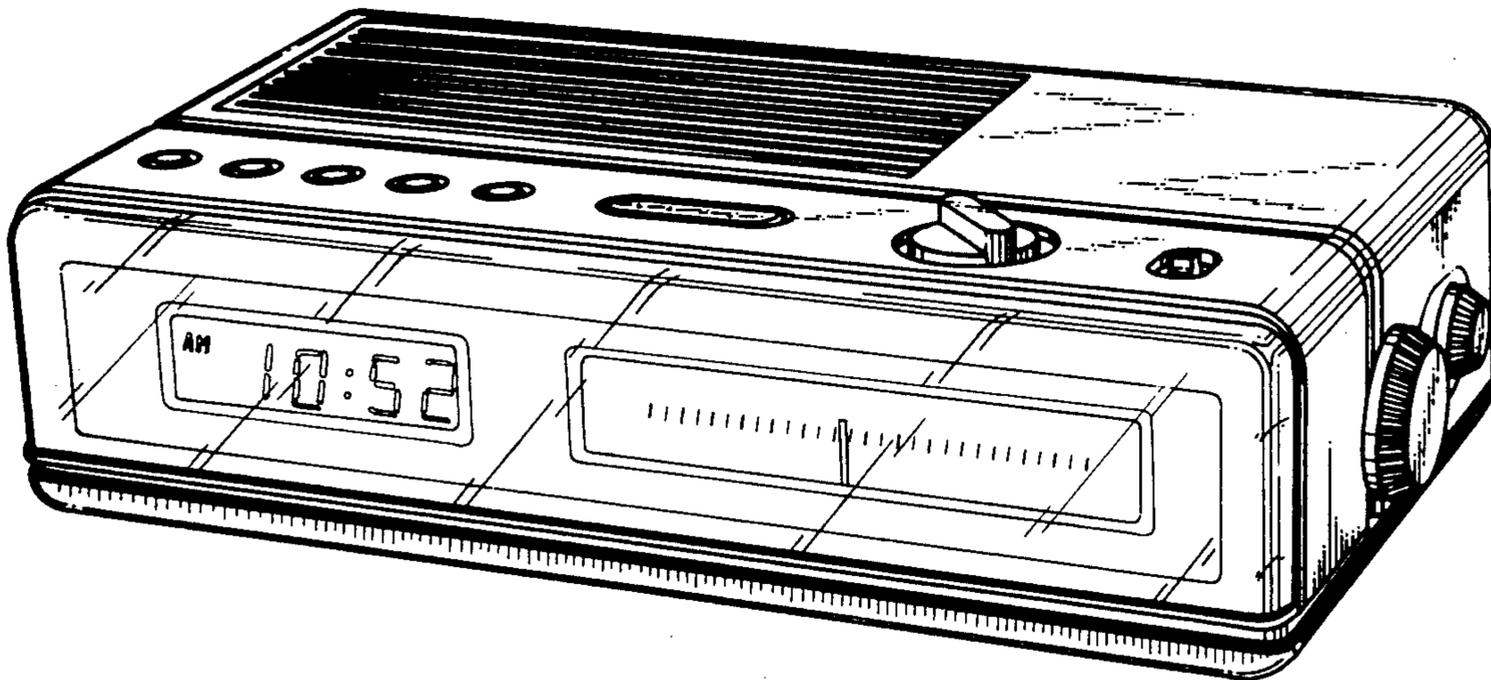


Fig. 1

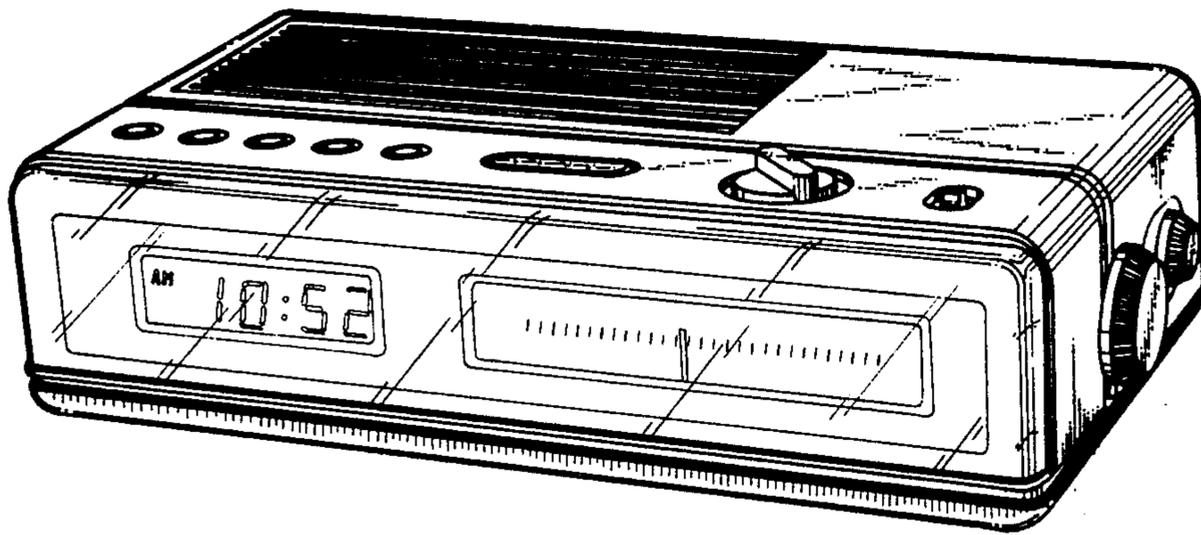


Fig. 2

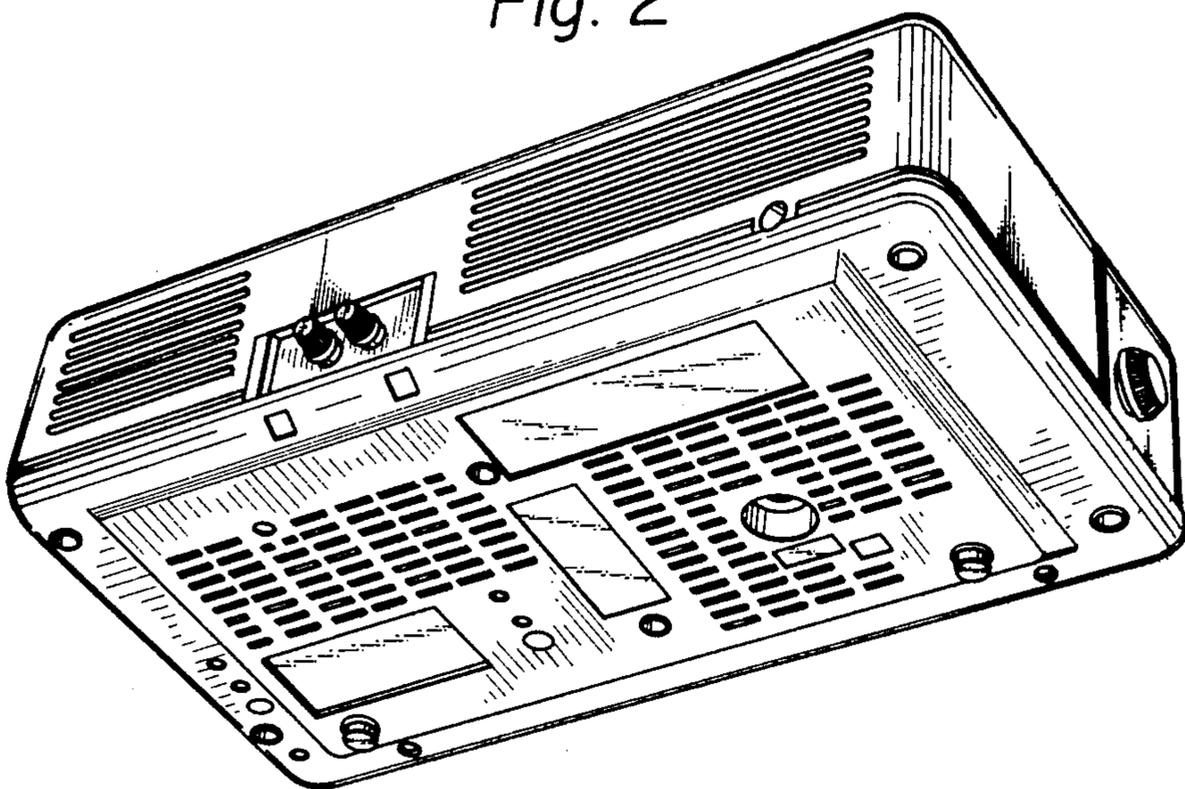


Fig. 3

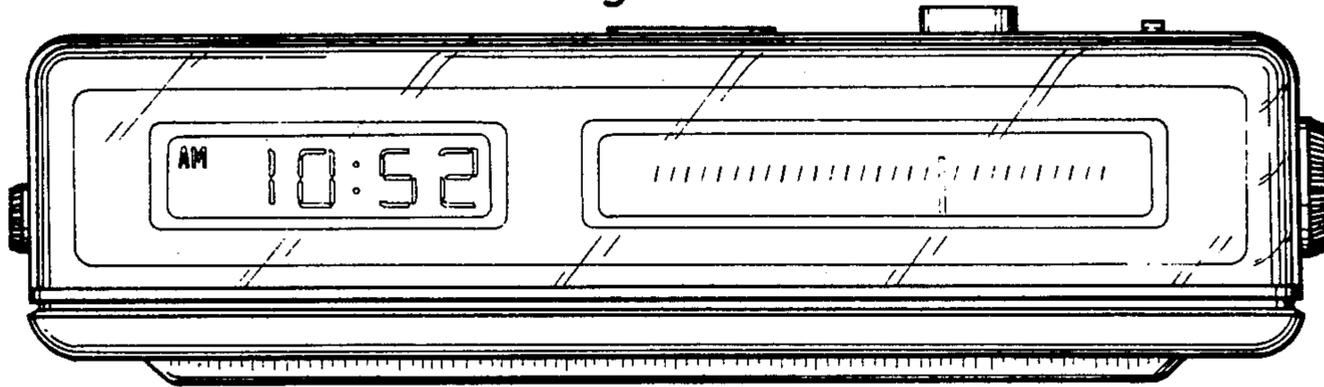


Fig. 4

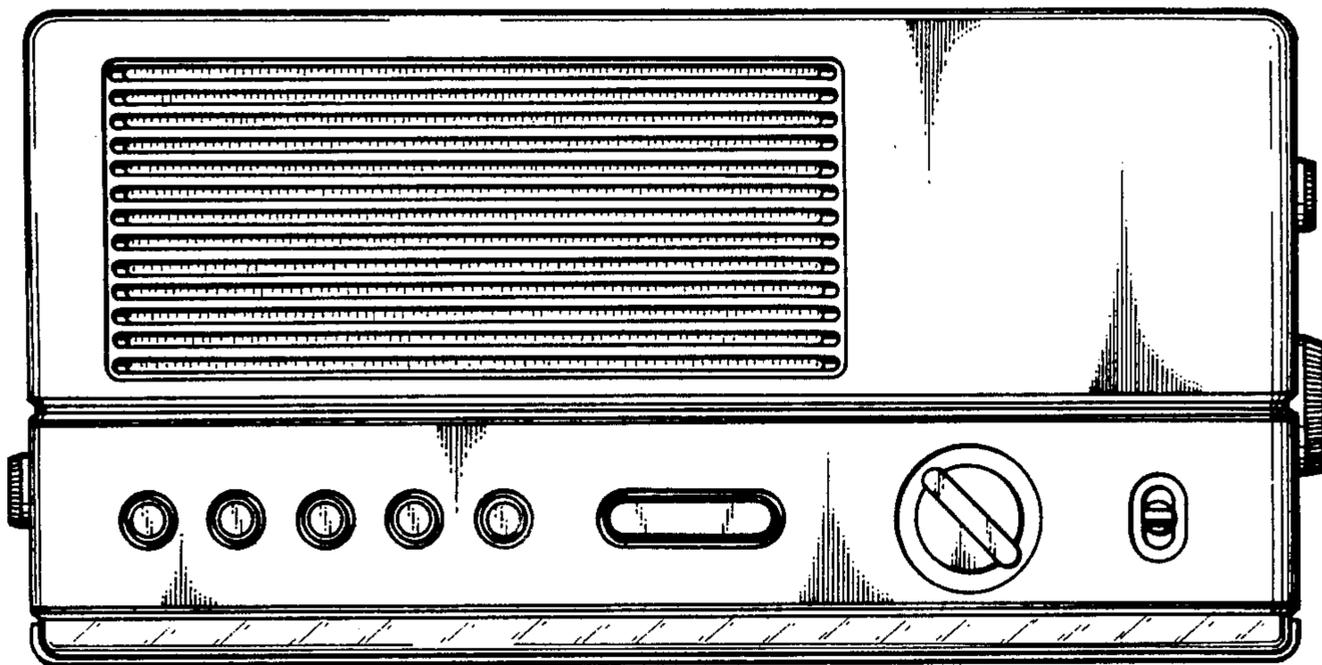


Fig. 5

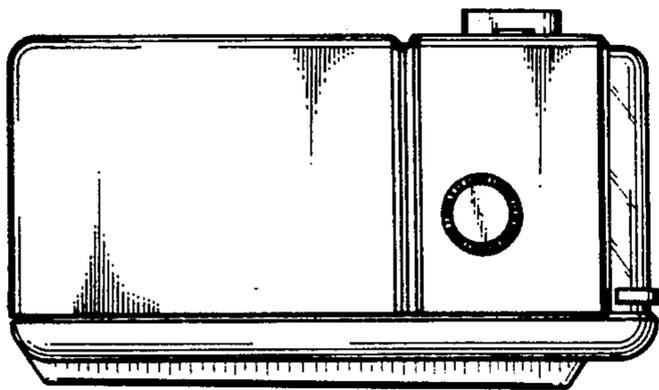


Fig. 6

