

[54] COMBINED PALLET AND CONTAINER

[76] Inventor: Nils G. Sundman, Sorred Pl. 8715, S-417 91 Goteborg, Sweden

[\*\*] Term: 14 Years

[21] Appl. No.: 964,803

[22] Filed: Nov. 29, 1978

[51] Int. Cl. .... D9-08

[52] U.S. Cl. .... D12/53

[58] Field of Search ..... D12/53; D9/246; 108/52.1, 53.1, 56.1, 51.1; 206/386, 600, 596; 220/1.5, 4F, 7, 6; 217/43 A, 43 R

[56] References Cited

U.S. PATENT DOCUMENTS

4,091,950 5/1978 Craven ..... 220/1.5

FOREIGN PATENT DOCUMENTS

1526229 4/1967 France ..... 217/43 A

Primary Examiner—James M. Gandy

Attorney, Agent, or Firm—Robert Osann

[57] CLAIM

The ornamental design for a combined pallet and container, substantially as shown and described.

DESCRIPTION

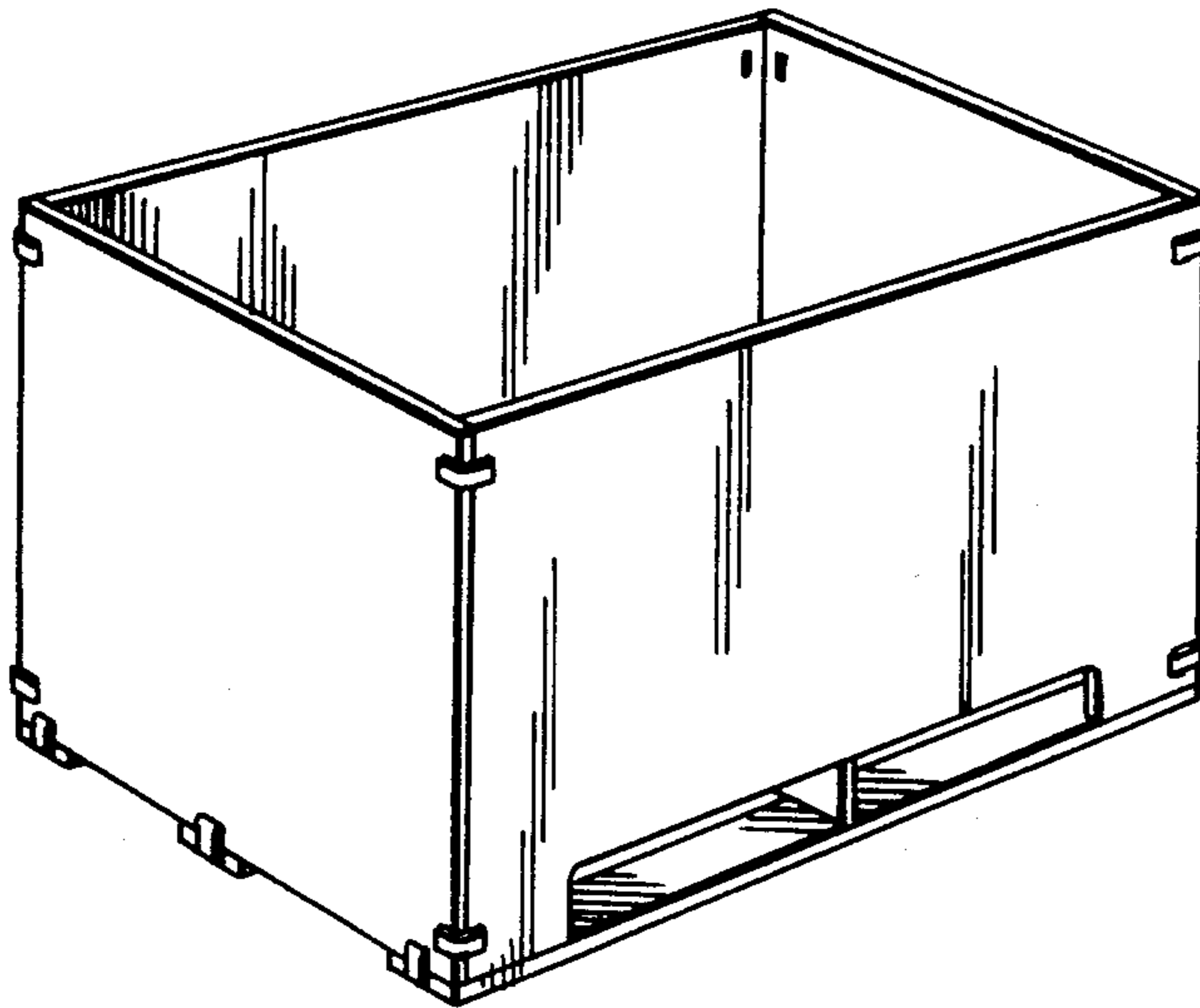
FIG. 1 is a perspective view of a combined pallet and container showing my new design it being understood that the side and end not shown herein are mirror images of those shown; and,

FIG. 2 is a perspective view of a combined pallet and container showing a second embodiment of my new design wherein the difference resides in a removable left end panel shown in exploded condition; and,

FIG. 3 is a fragmentary enlarged top plan view of one of the corners of the second embodiment of FIG. 2 showing a rail for slidably retaining the removable left end panel; and,

FIG. 4 is a perspective view of the pallet thereof with a deck panel therefor shown in exploded condition it being understood that the container has been omitted for convenience of illustration; and,

FIG. 5 is a fragmentary enlarged perspective view of one corner of the pallet thereof it being understood that all corners are identical.



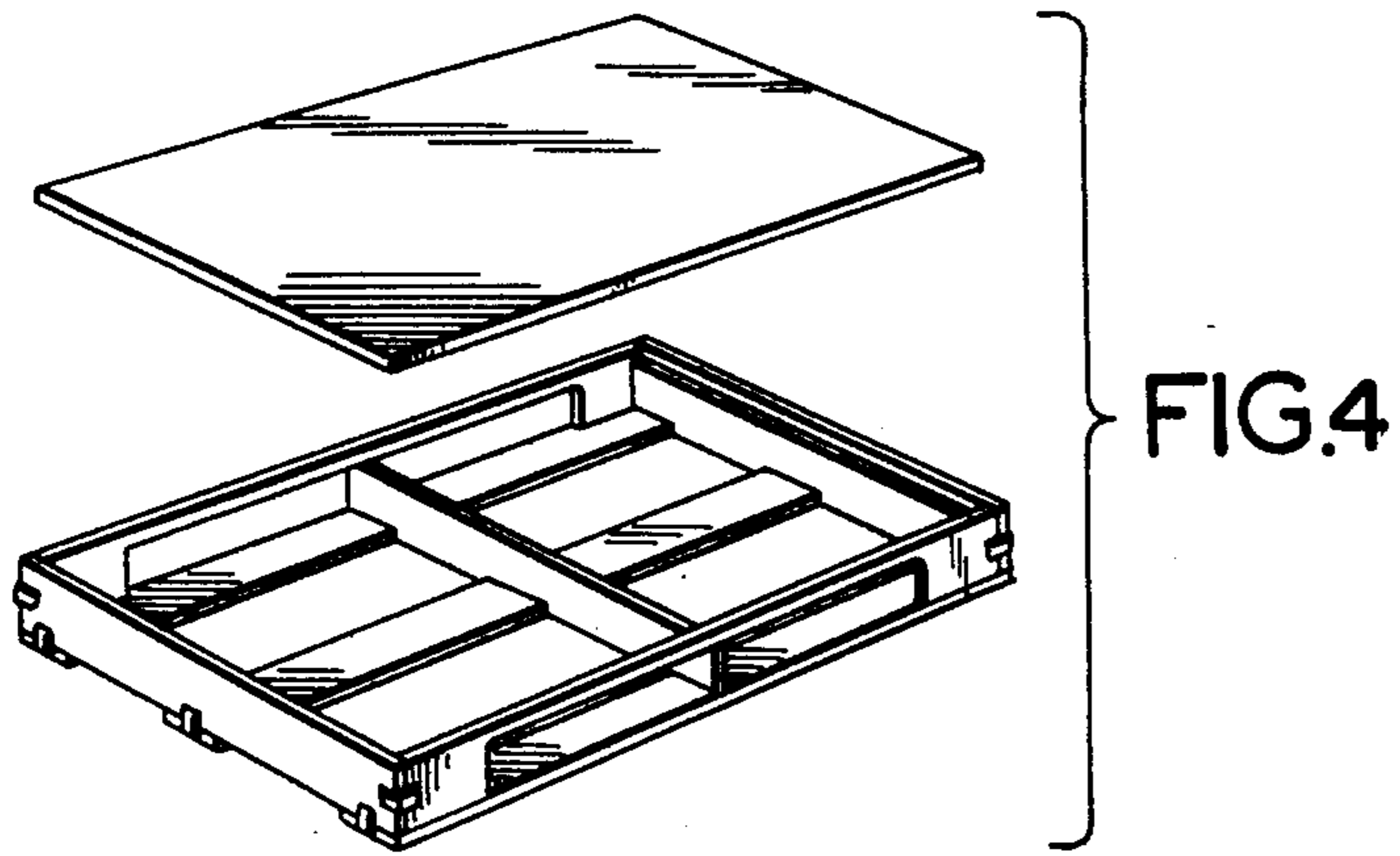


FIG. 4

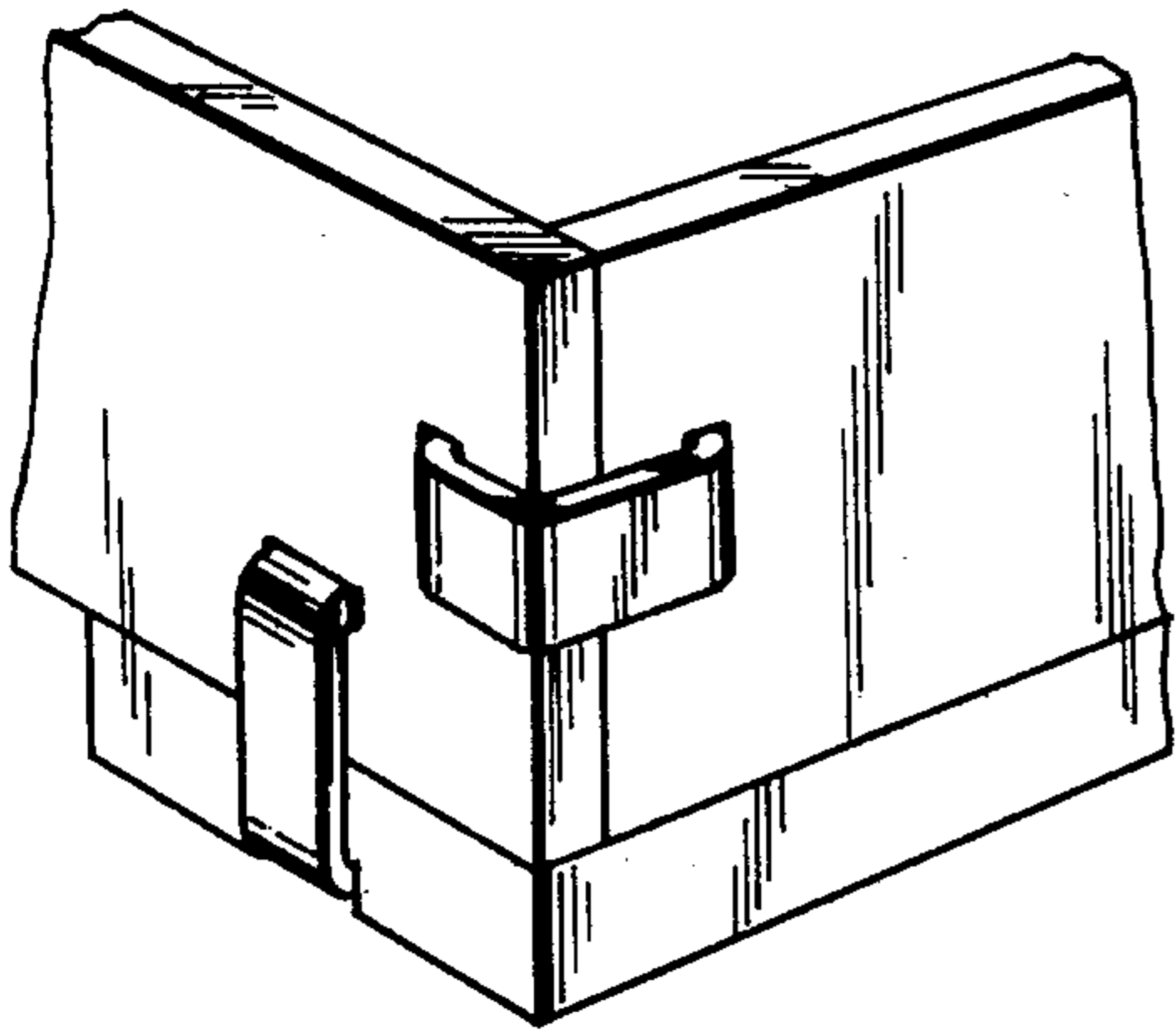


FIG. 5

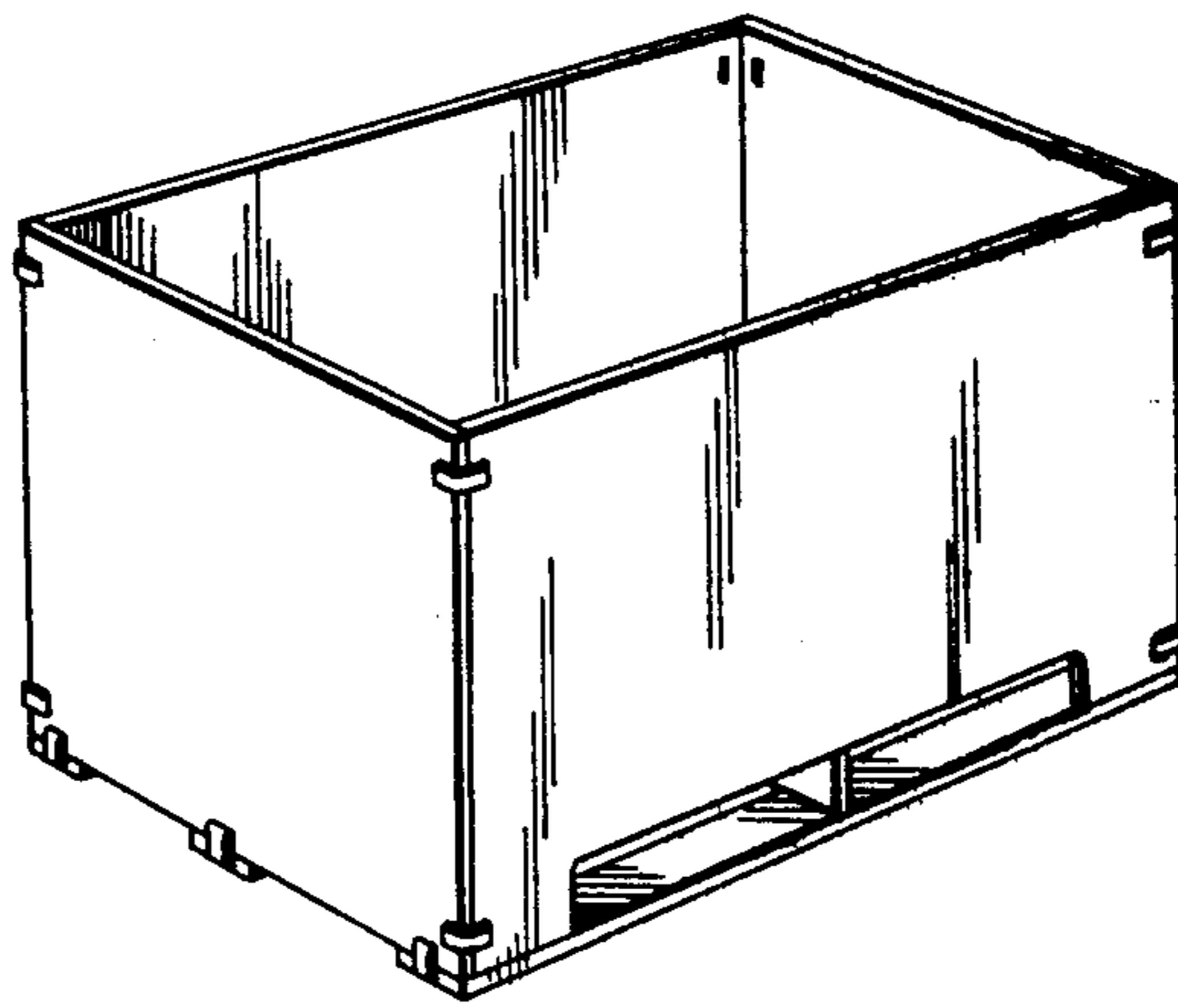


FIG. 1

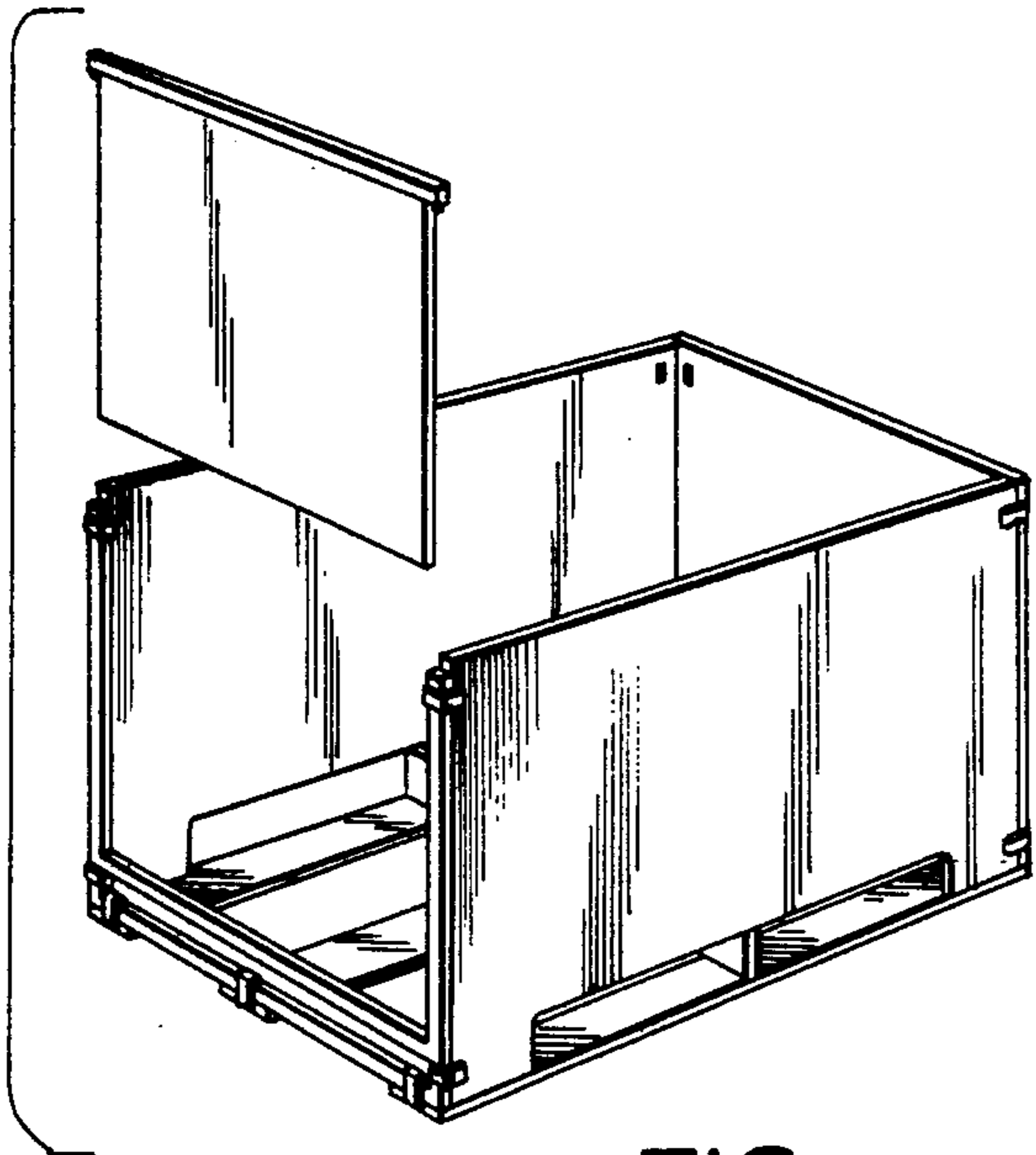


FIG. 2



FIG. 3