

[54] STROLLER

[75] Inventors: William G. Headley, Washington;
Ralph J. Rasmussen, Brown City;
Stanley M. Richardson, Jr.,
Columbiaville, all of Mich.

[73] Assignee: The Firestone Tire & Rubber
Company, Akron, Ohio

[**] Term: 14 Years

[21] Appl. No.: 941,750

[22] Filed: Sep. 11, 1978

[51] Int. Cl. D12-12

[52] U.S. Cl. D12/129

[58] Field of Search D12/129; 280/642, 647,
280/650, 47.38, 47.4

[56]

References Cited

U.S. PATENT DOCUMENTS

3,995,882	12/1976	Watkins	280/650
4,083,579	4/1978	Basey, Jr. et al.	280/650
4,157,839	6/1979	Lahti et al.	280/642

Primary Examiner—James M. Gandy
Attorney, Agent, or Firm—Miller, Morriss and Pappas

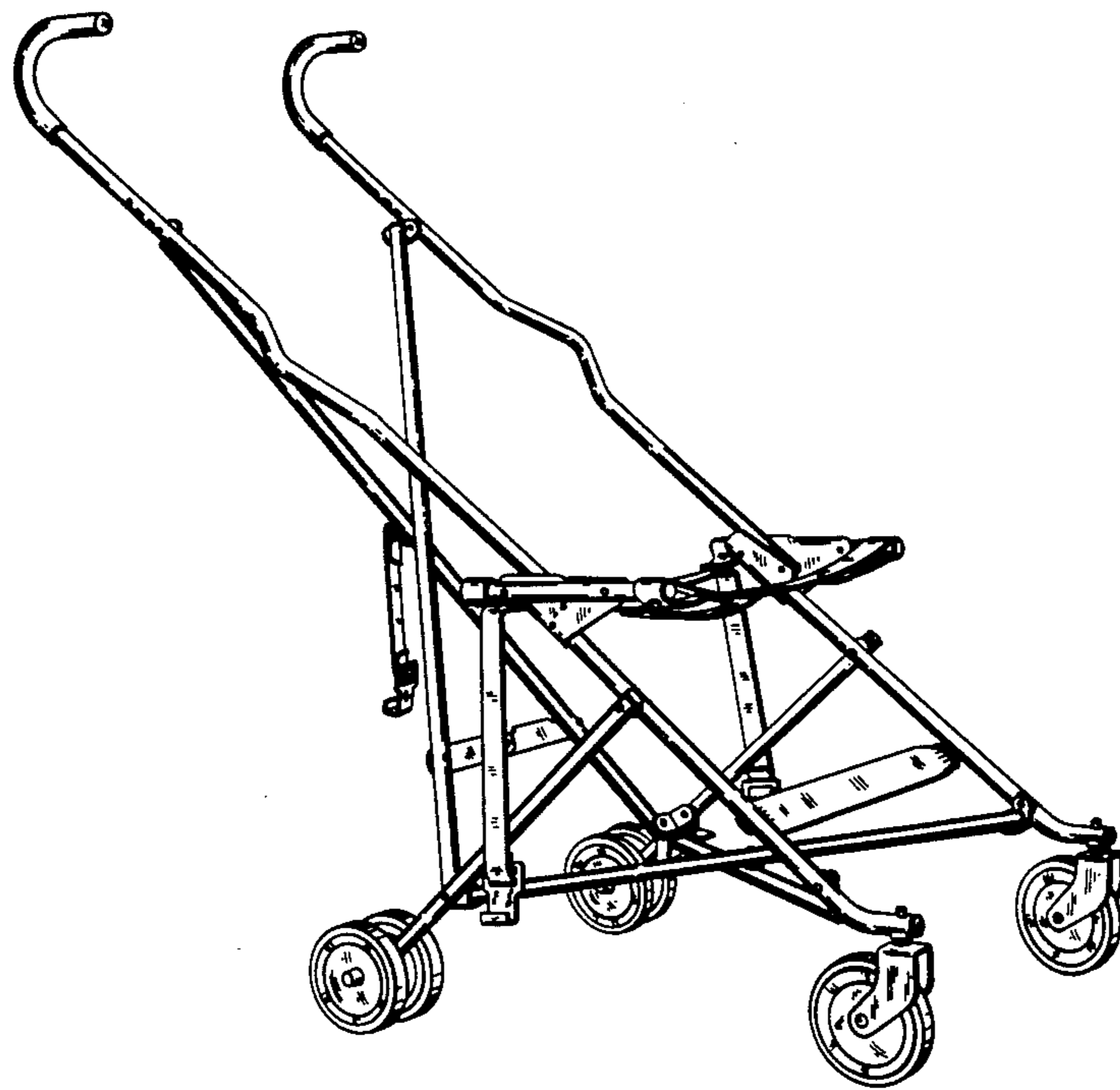
[57]

CLAIM

The ornamental design for a stroller, as shown and described.

DESCRIPTION

FIG. 1 is a front perspective view of a stroller showing our new design;
FIG. 2 is a side perspective view thereof;
FIG. 3 is a side perspective view thereof opposite to that shown in FIG. 2;
FIG. 4 is a top perspective view thereof; and
FIG. 5 is a rear perspective view thereof.



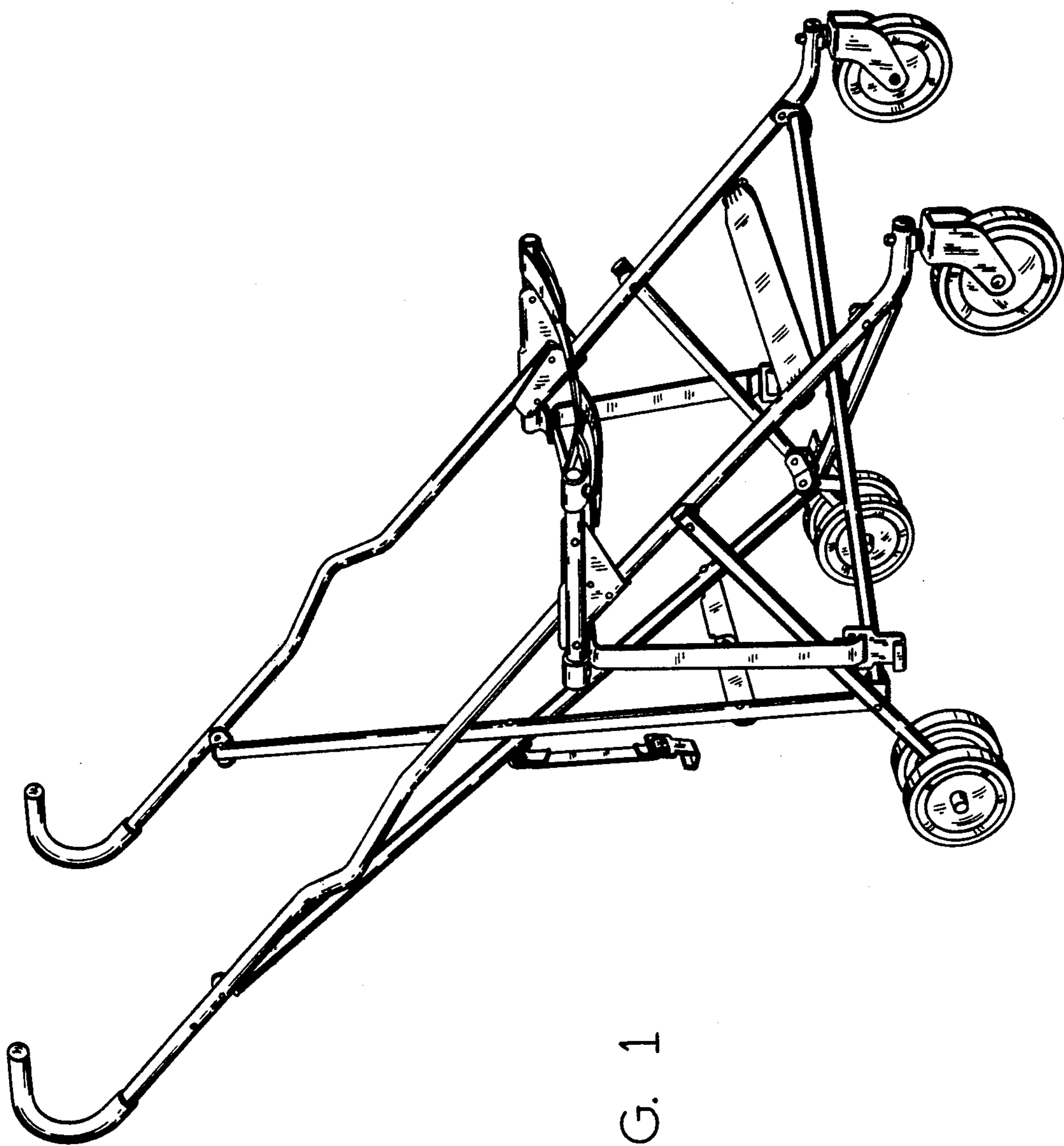


FIG. 1

—FIG. 2

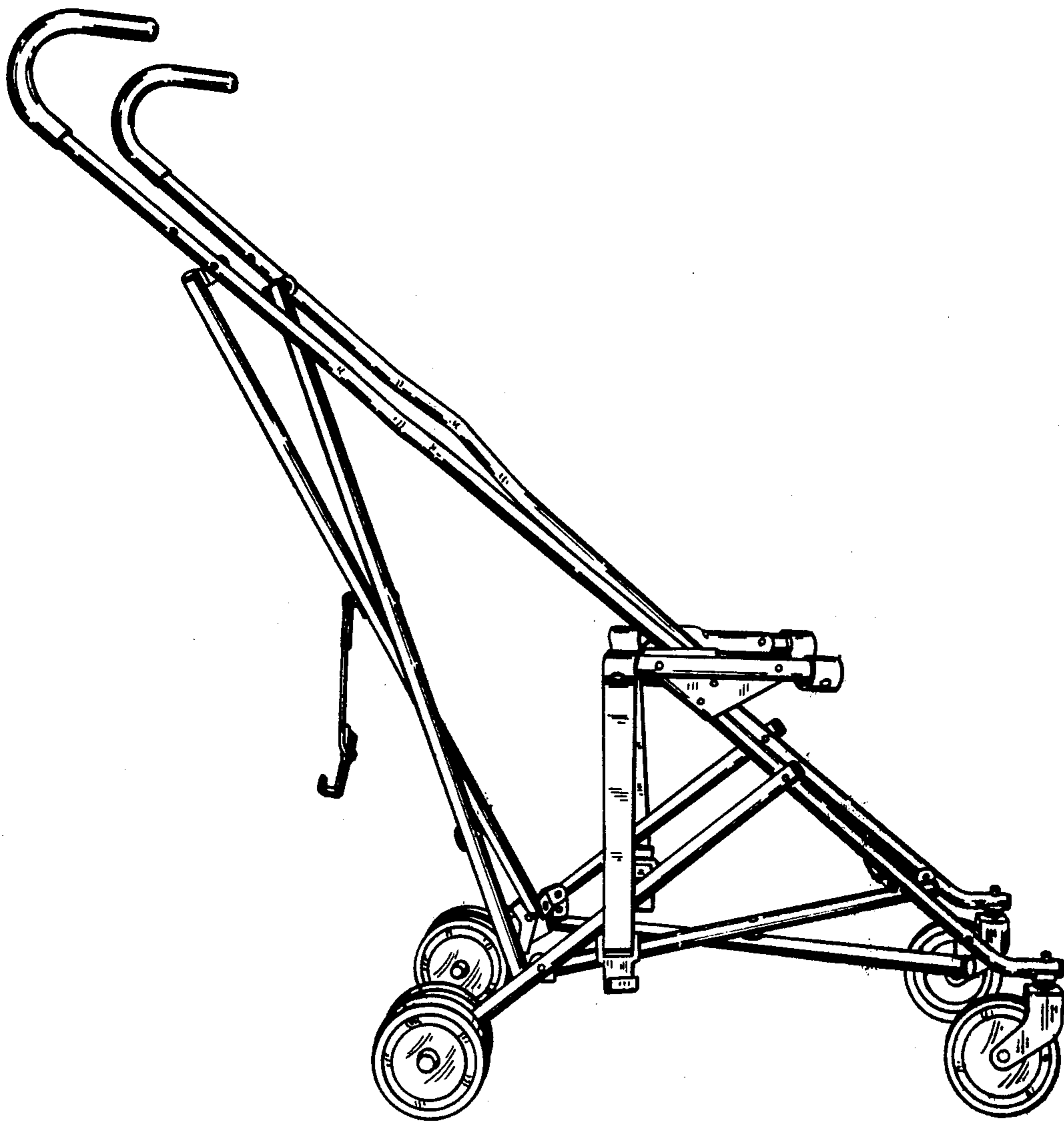
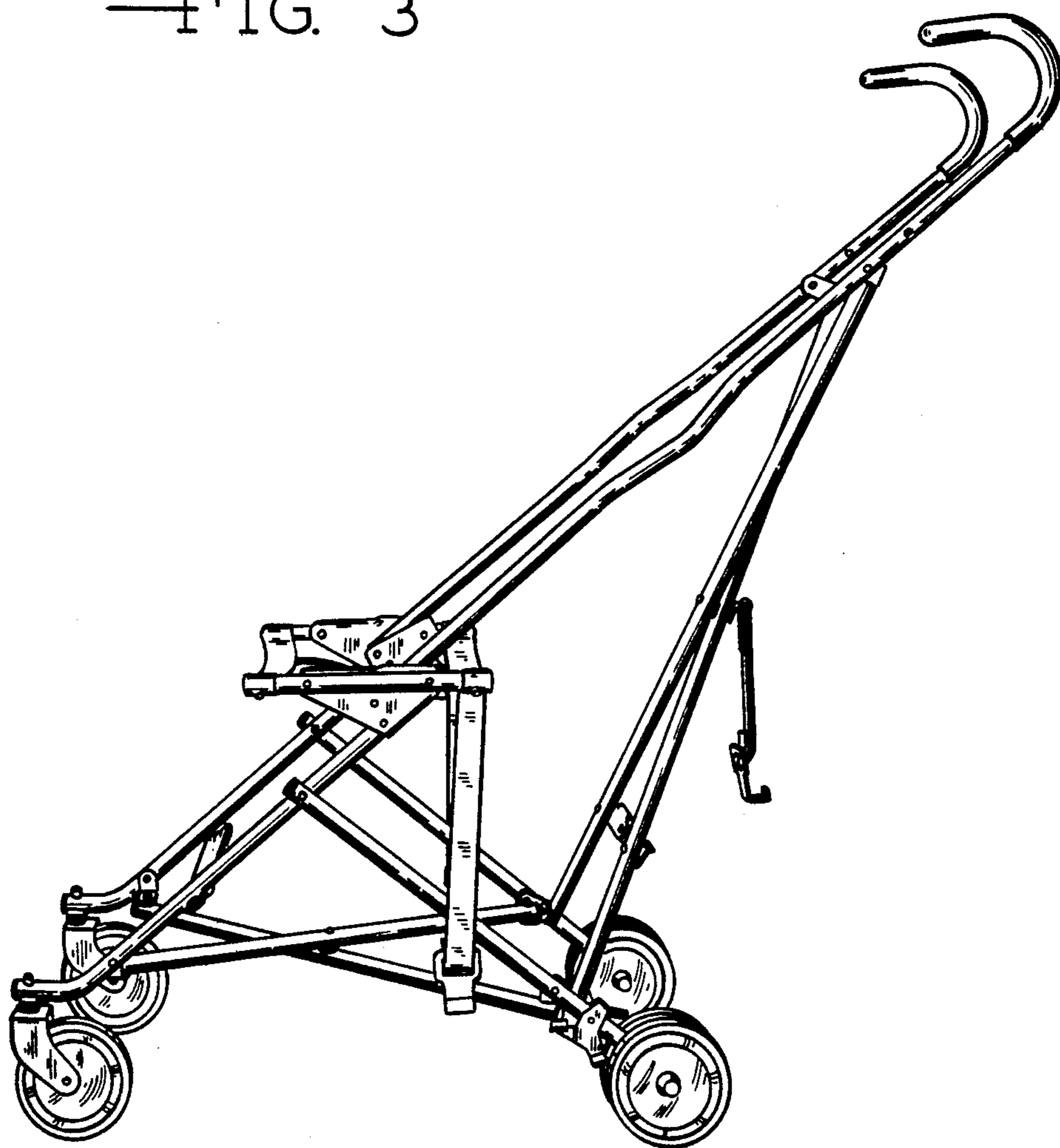
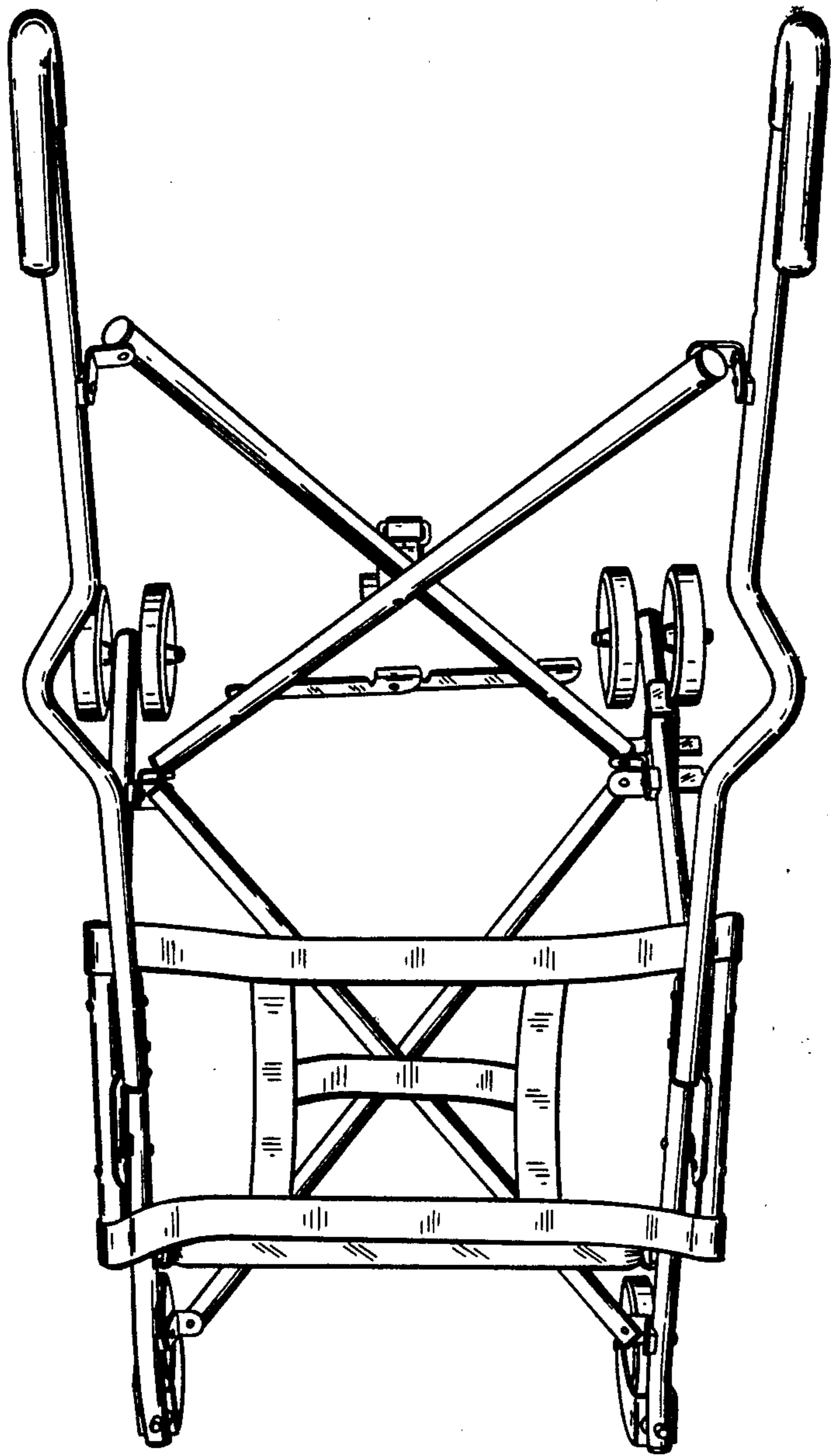
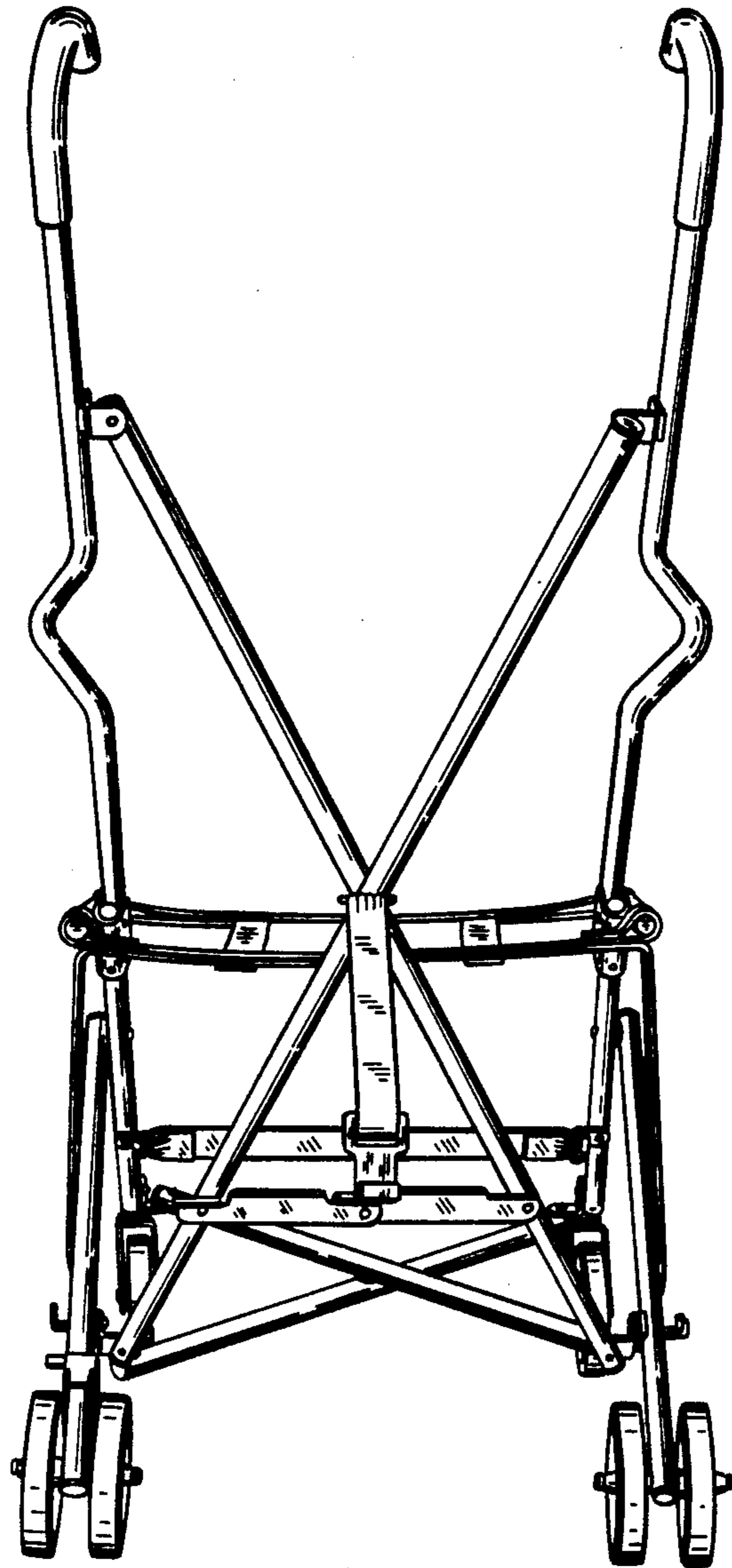


FIG. 3





—FIG. 4



—FIG. 5