

[54] HAND HELD ELECTRIC CAULKING GUN

[75] Inventor: George B. Davis, Jr., 7512 Marbury Rd., Bethesda, Md. 20034

[73] Assignee: G. B. Davis, Jr., Bethesda, Md.

[**] Term: 14 Years

[21] Appl. No.: 951,836

[22] Filed: Oct. 16, 1978

[51] Int. Cl. D8-05

[52] U.S. Cl. D8/14.1; D8/68

[58] Field of Search D8/30, 68, 14.1; 222/333, 386, 390

[56] References Cited

U.S. PATENT DOCUMENTS

D. 201,836	8/1965	Frederick et al.	D8/68
3,439,839	4/1969	Schumann et al.	D8/30
3,861,567	1/1975	Davis, Jr.	D8/14.1

Primary Examiner—W. Stallard

[57] CLAIM

The ornamental design for a hand held electric caulking gun, substantially as shown.

DESCRIPTION

FIG. 1 is a side view of the gun in elevation.
FIG. 2 is a front end view of the gun in elevation.
FIG. 3 is a rear end view of the gun in elevation.

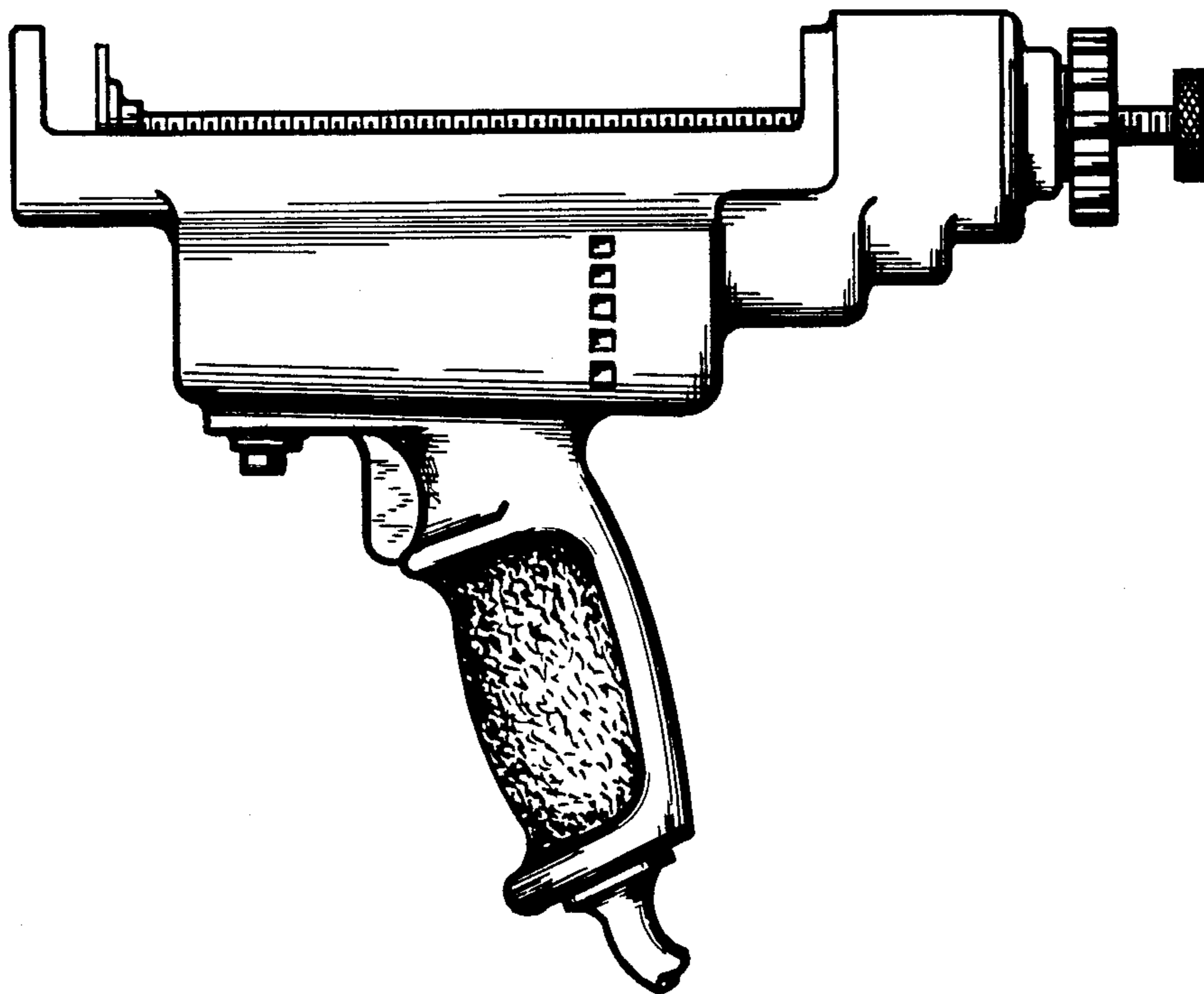


FIG. 1

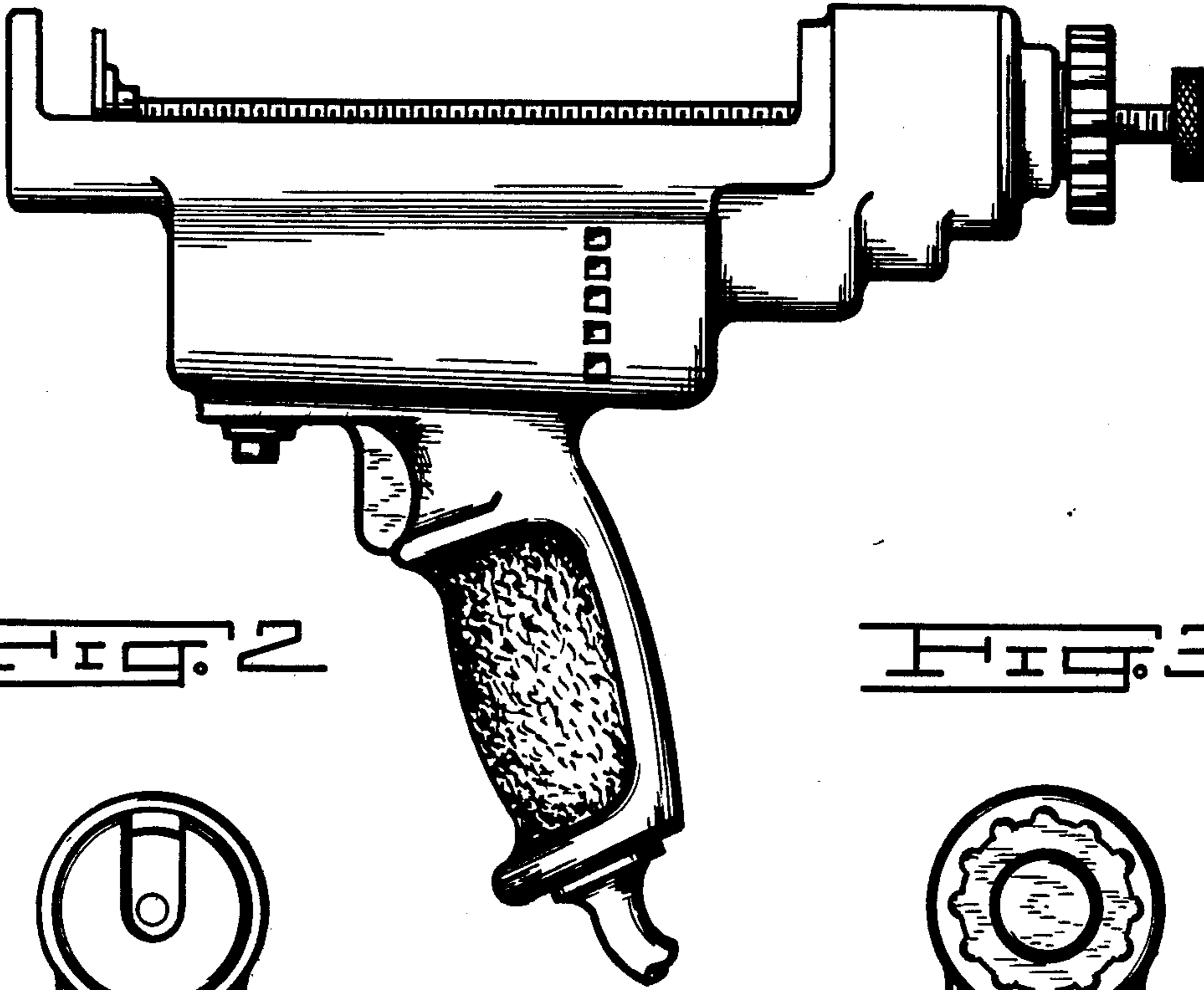


FIG. 2

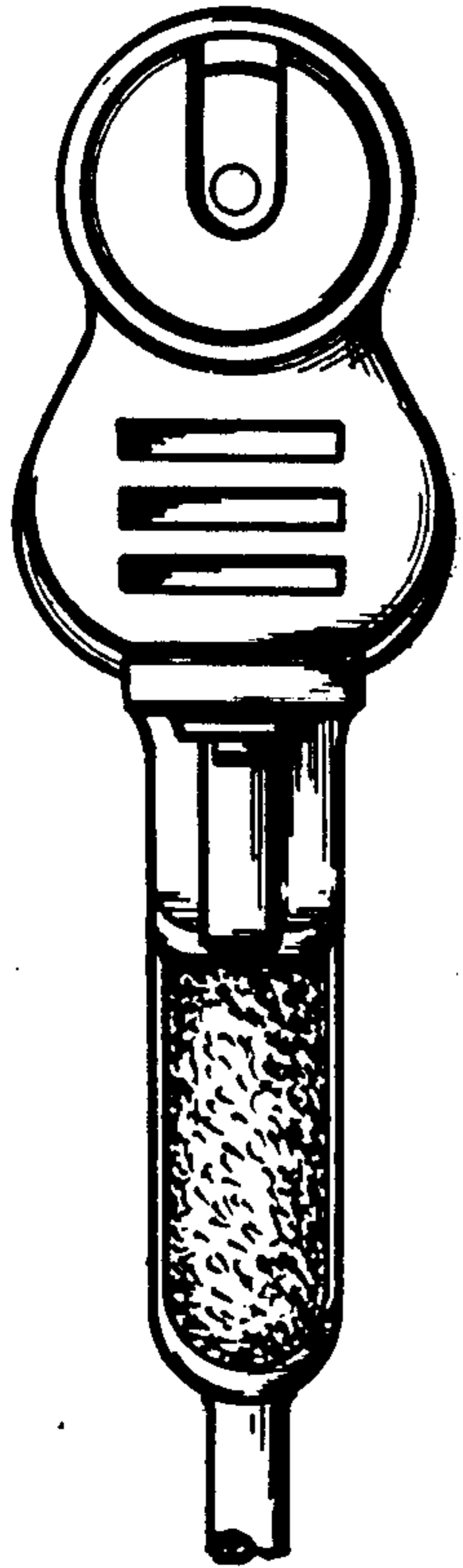


FIG. 3

