

[54] SHELF UNIT FOR STORING ELECTRICAL EQUIPMENT

[76] Inventor: Joseph T. Verdesca, 5604 Lobello Dr., Dallas, Tex. 75229

[\*\*] Term: 14 Years

[21] Appl. No.: 926,712

[22] Filed: Jul. 17, 1978

[51] Int. Cl. .... D06-04

[52] U.S. Cl. .... D6/186

[58] Field of Search ..... D6/177, 186, 178, 179; 312/211, 245, 321, 204; D14/40, 42, 44, 45, 48, 50

[56] References Cited

U.S. PATENT DOCUMENTS

D. 250,380	11/1978	Verdesca et al. ....	D6/177
1,045,557	11/1912	Ilges .....	312/321
3,405,988	10/1968	Eversman .....	312/204

OTHER PUBLICATIONS

J. C. Penny, *Spring/Summer 1972*, p. 873, item No. 2, "Open Cube" A 802 2816A. *Interiors*, Sep. 1977, p. 44, Desk in foreground.

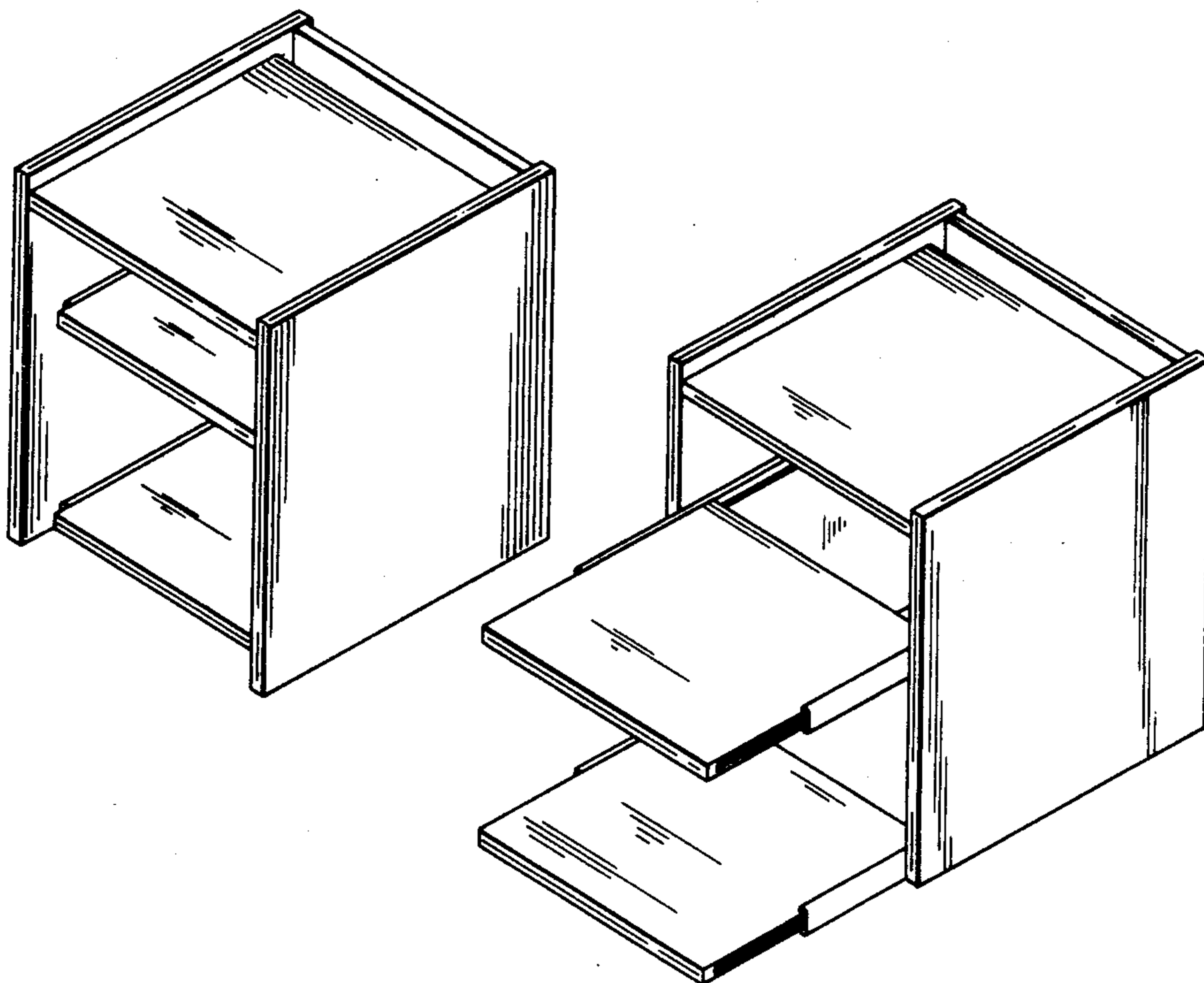
Primary Examiner—Joel Stearman  
Assistant Examiner—Carmen H. Vales

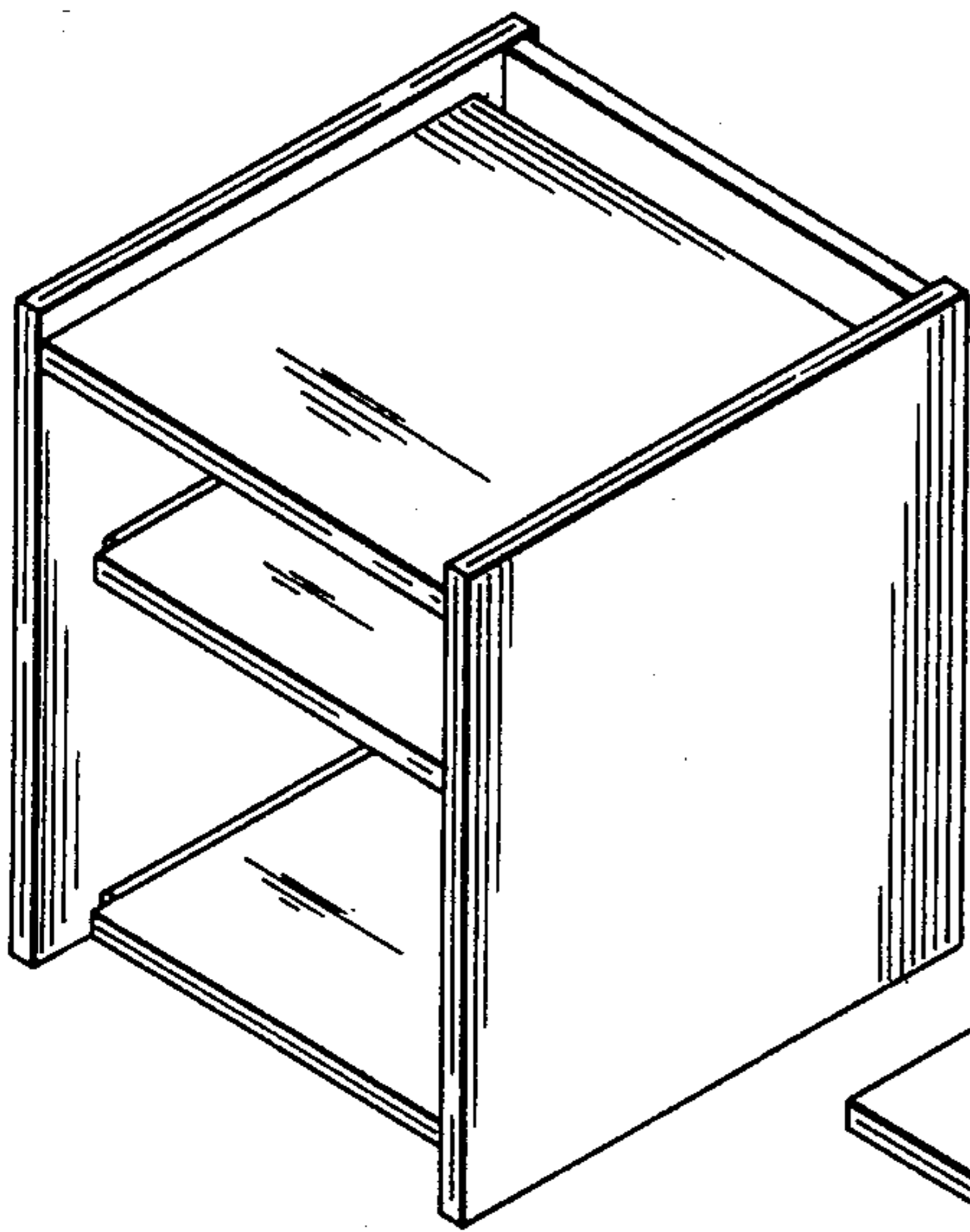
[57] CLAIM

The ornamental design for a shelf unit for storing electrical equipment, as shown.

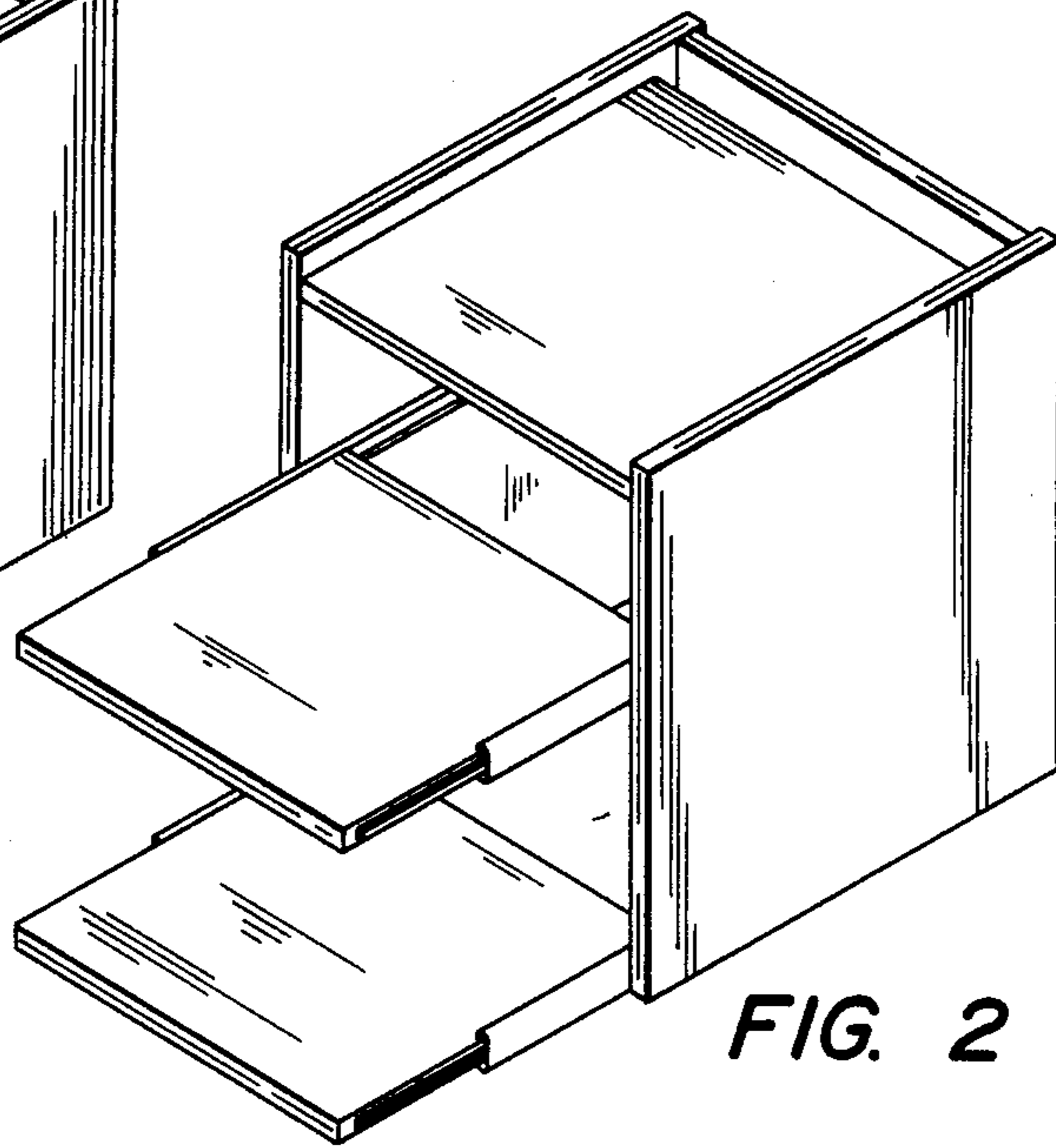
DESCRIPTION

FIG. 1 is a front perspective view of a "shelf unit for storing electrical equipment" showing my new design; FIG. 2 is a front perspective view, with the shelves in extended condition; FIG. 3 is a front elevational view thereof; FIG. 4 is a vertical sectional view taken from FIG. 1; FIG. 5 is a rear elevational view thereof; FIG. 6 is a top plan view thereof; FIG. 7 is a side elevational view thereof; the opposite side being a mirror image thereof; and FIG. 8 is a bottom plan view thereof.

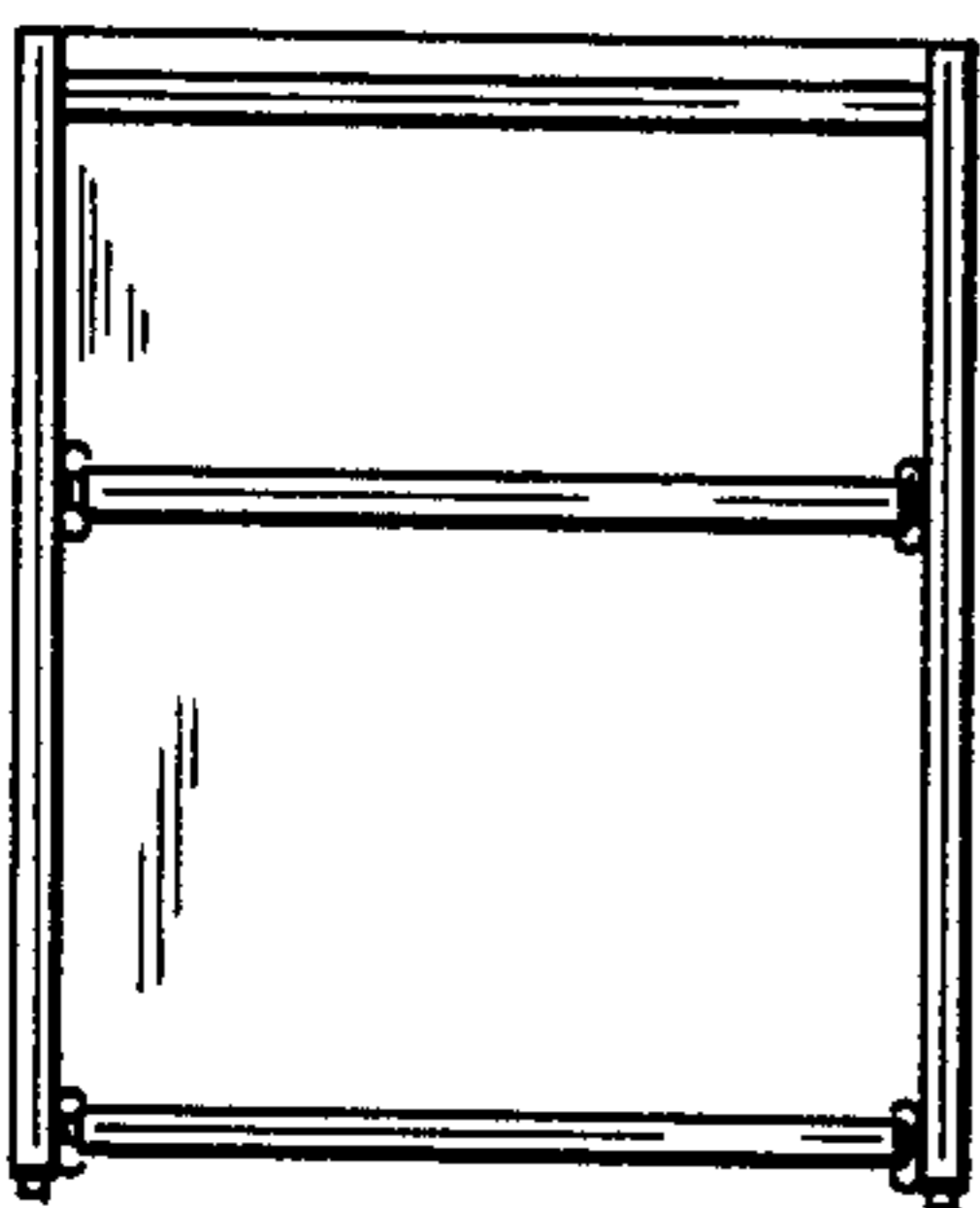




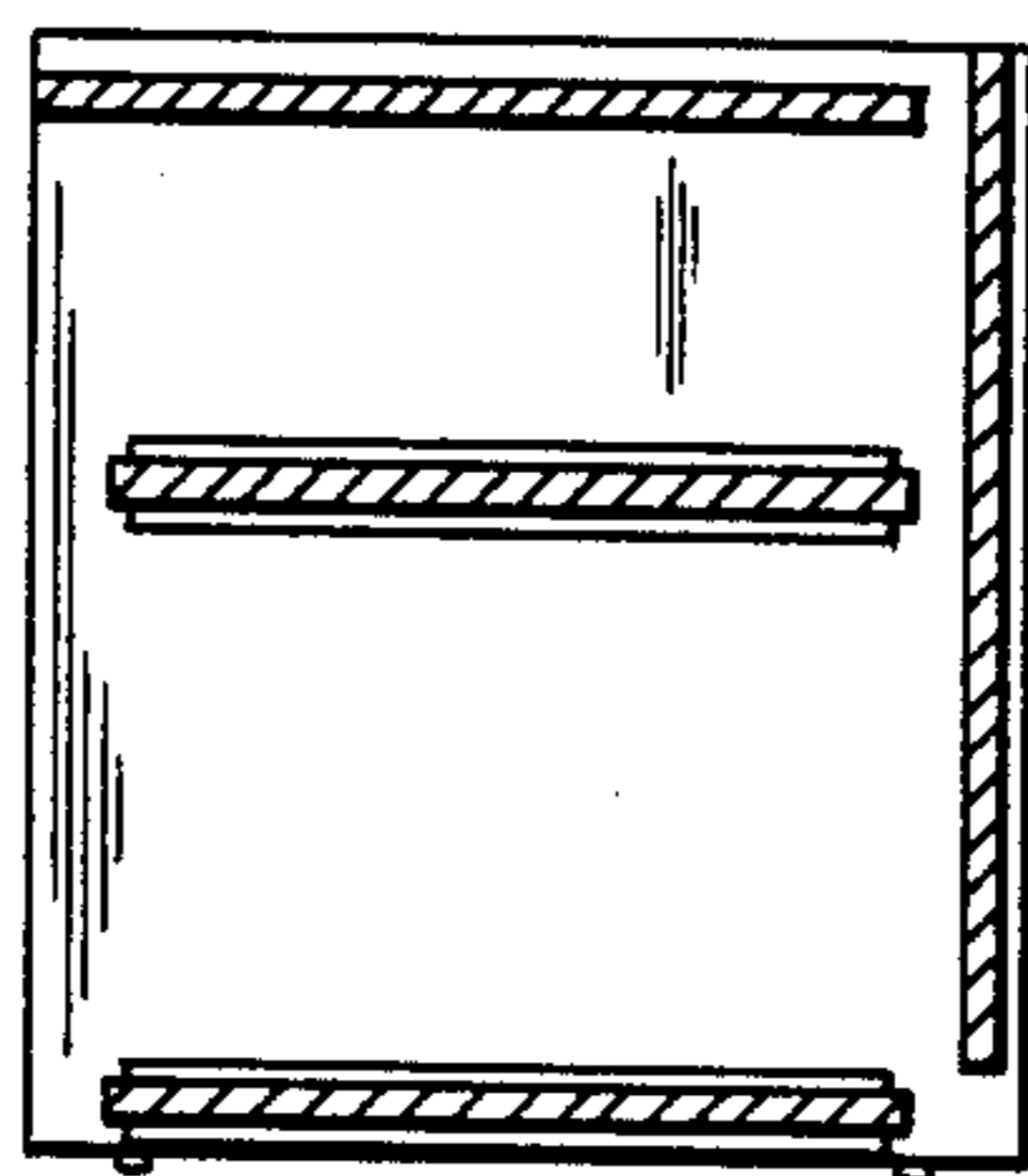
**FIG. 1**



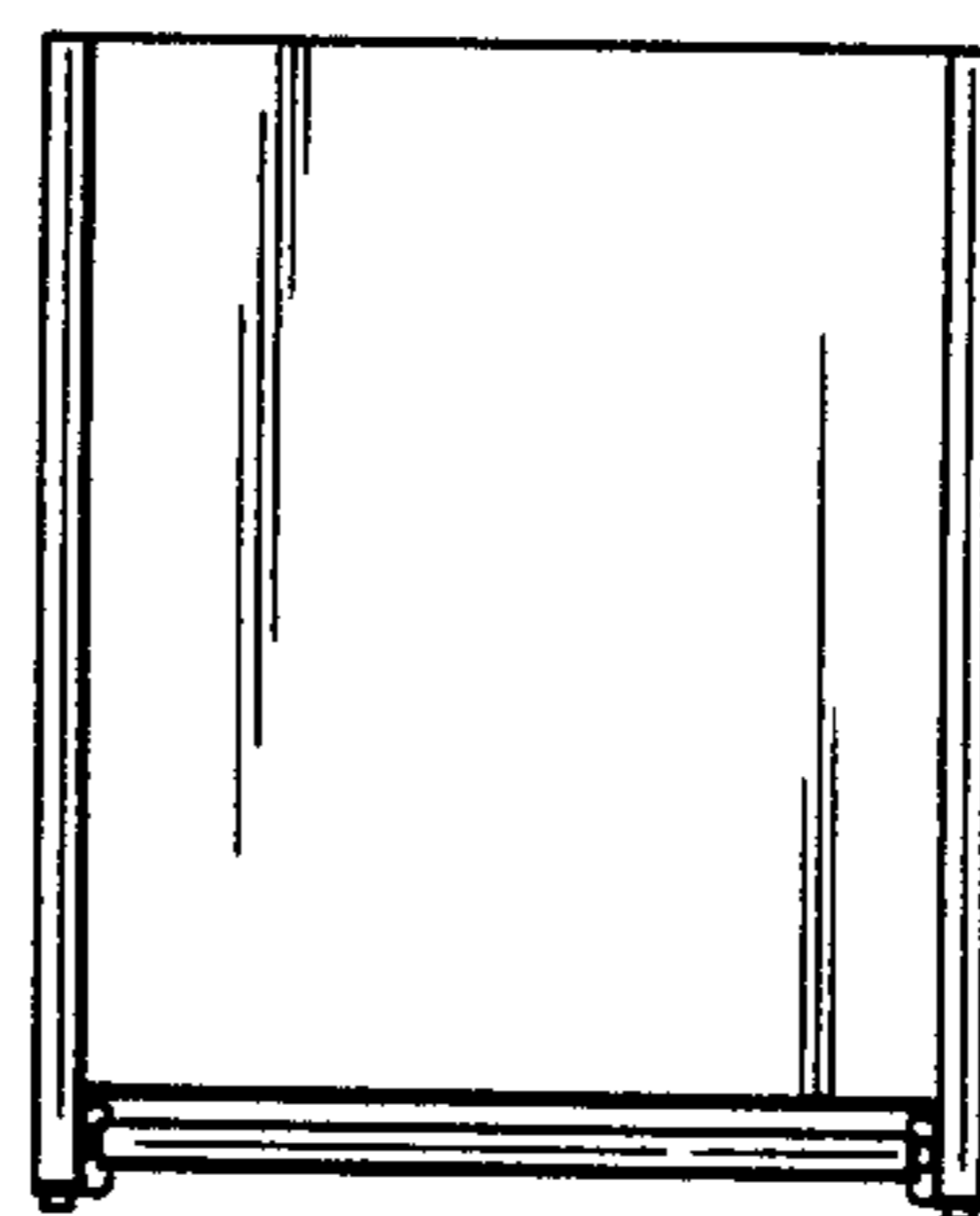
**FIG. 2**



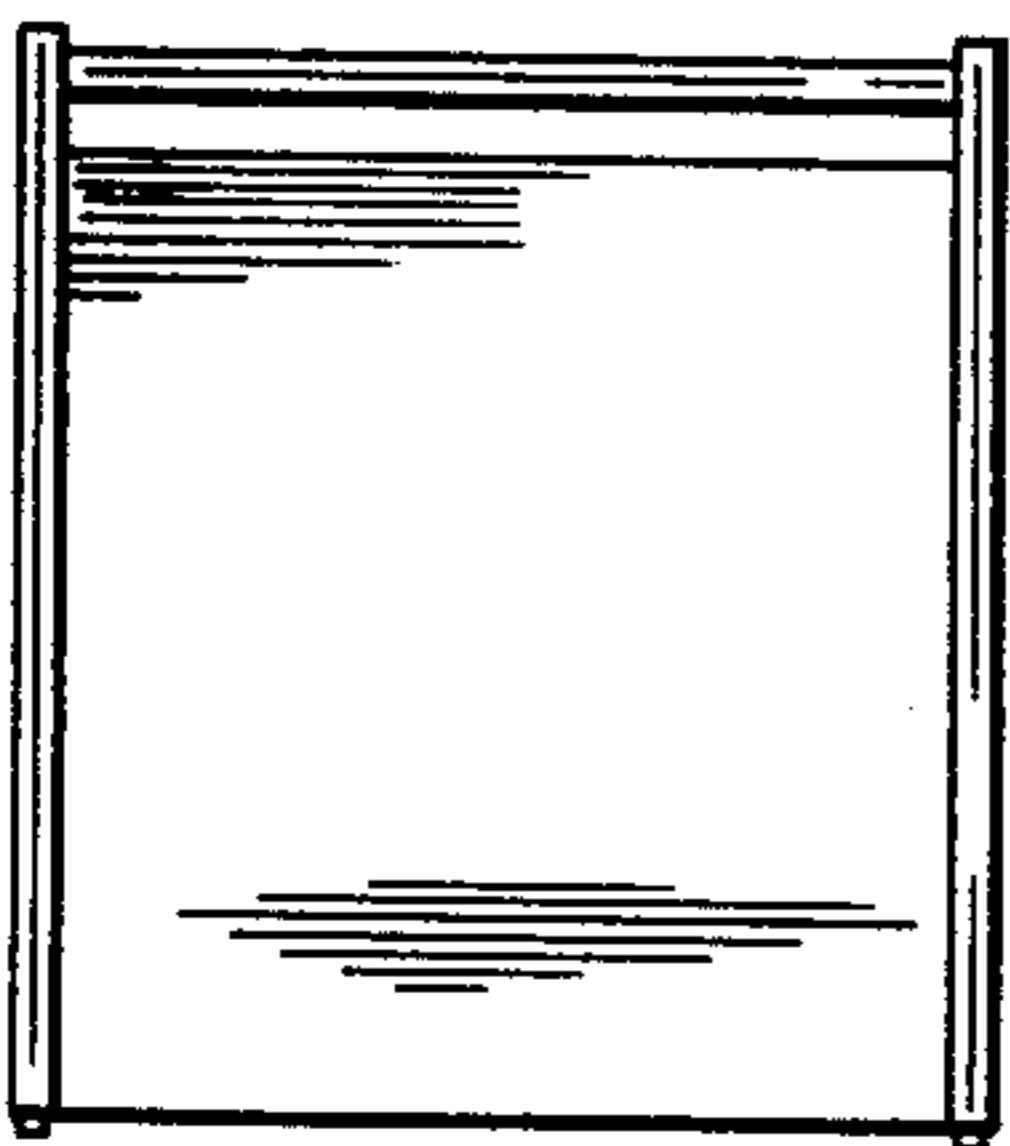
**FIG. 3**



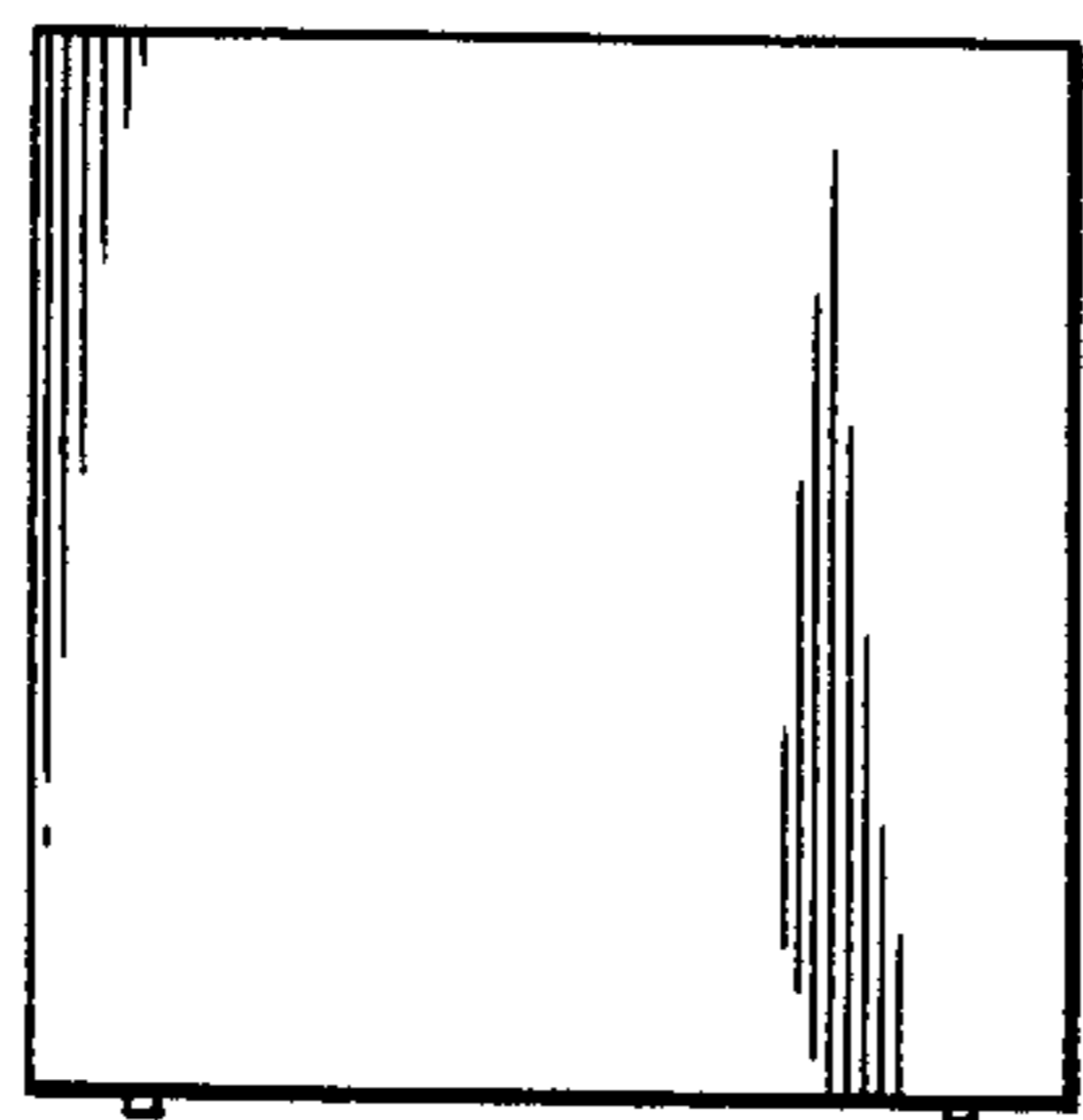
**FIG. 4**



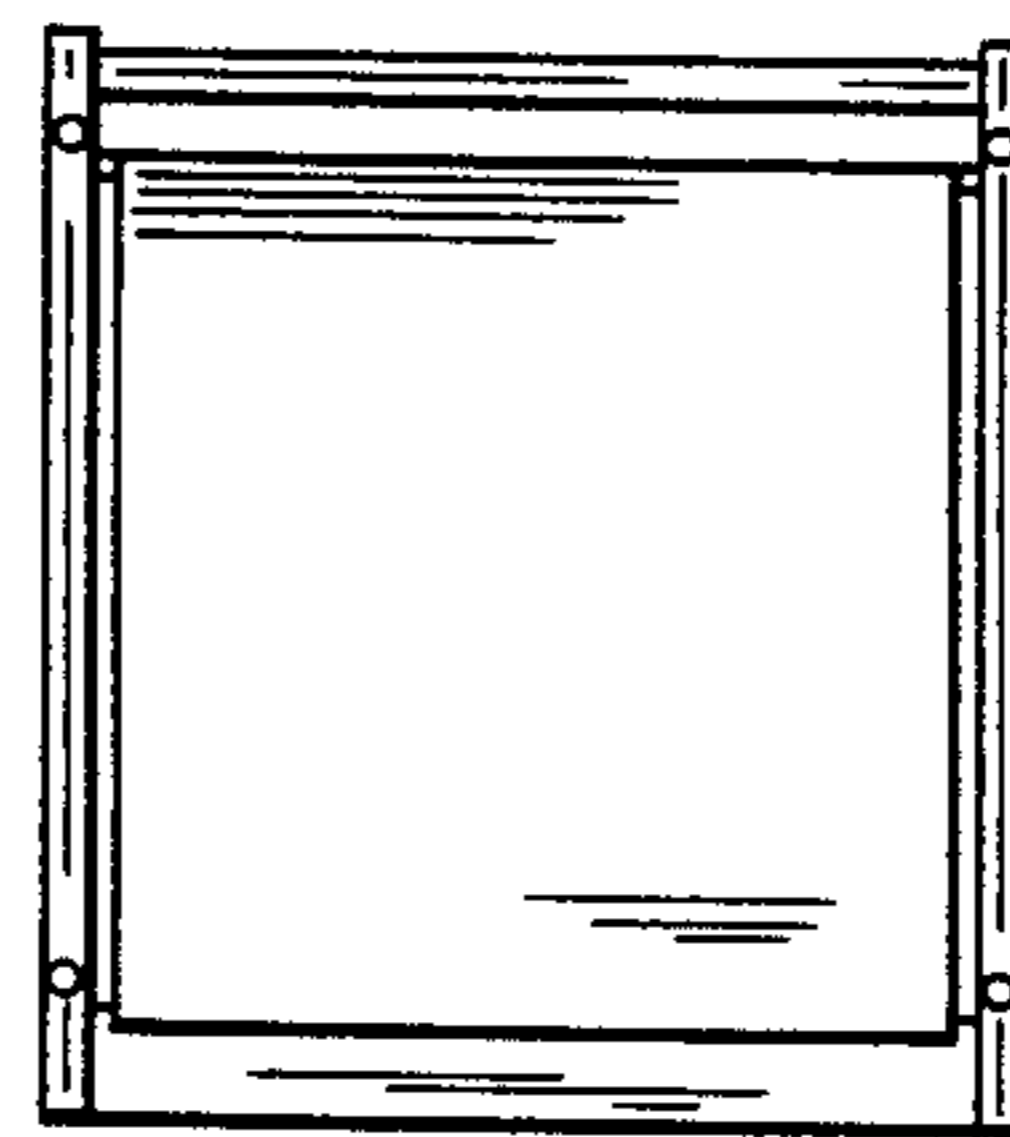
**FIG. 5**



**FIG. 6**



**FIG. 7**



**FIG. 8**